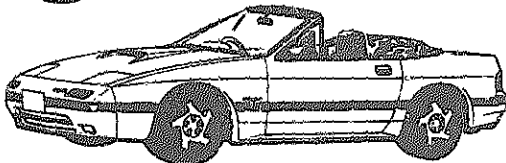
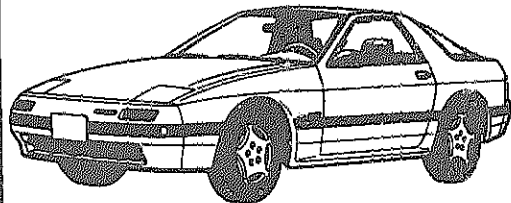


Parts Catalog

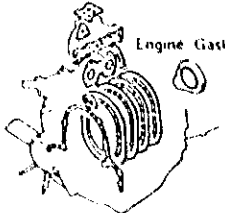
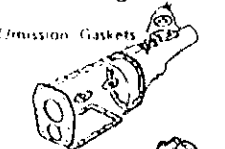
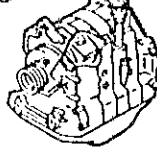
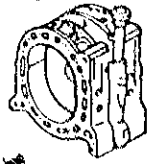

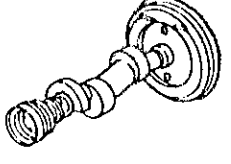
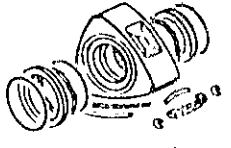
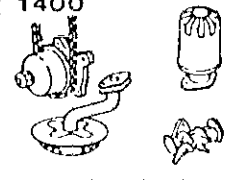
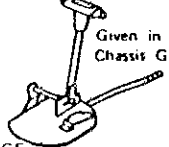
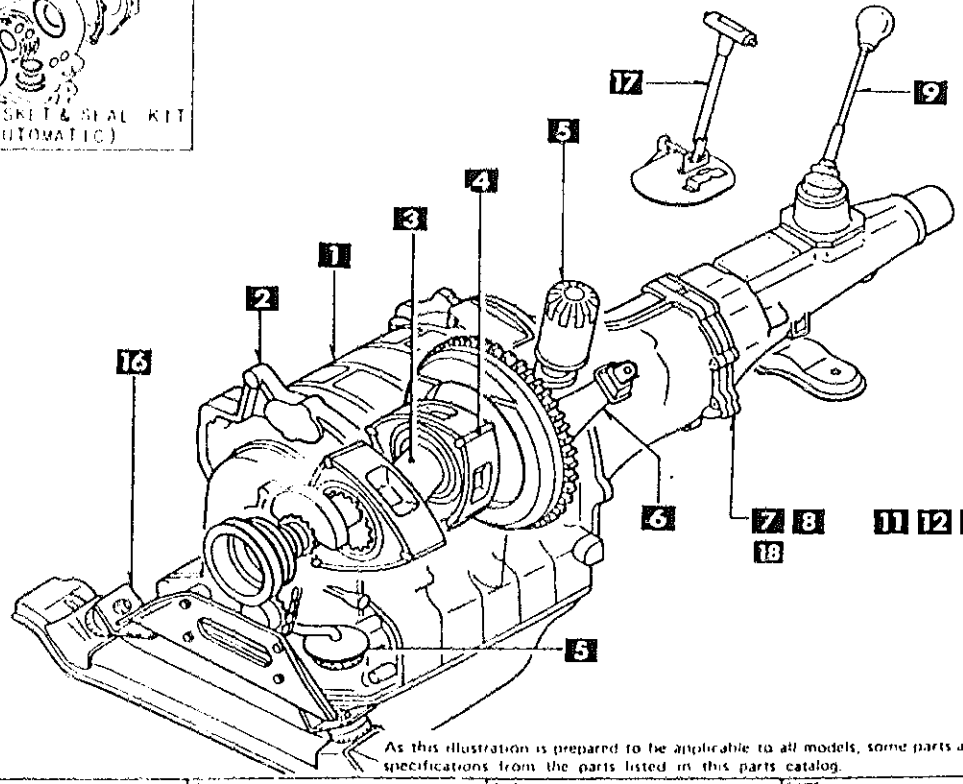
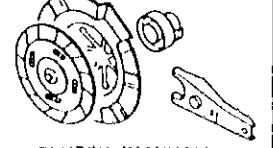
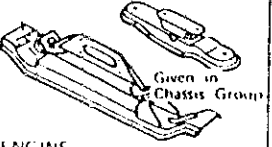
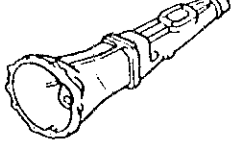
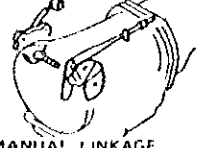
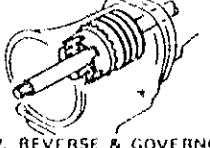
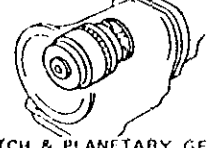
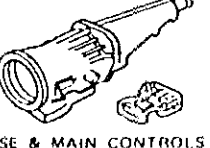
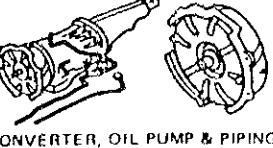

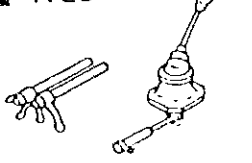
Mazda RX-7A

('86-'88)

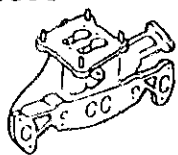
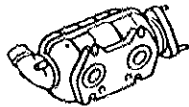

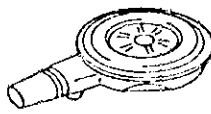


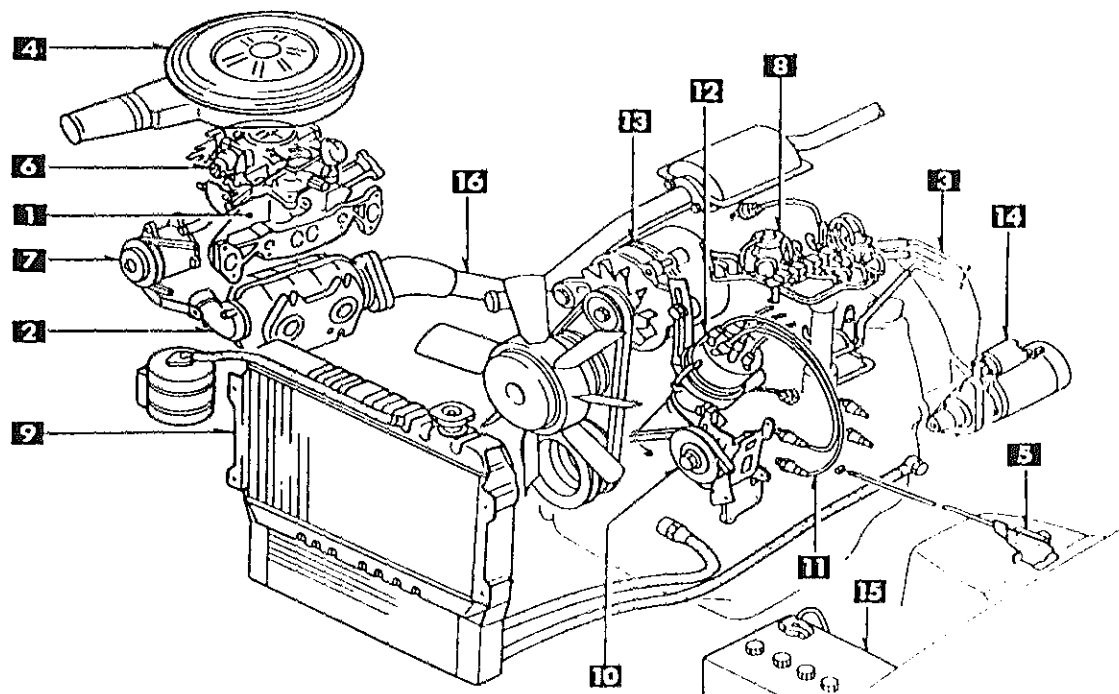

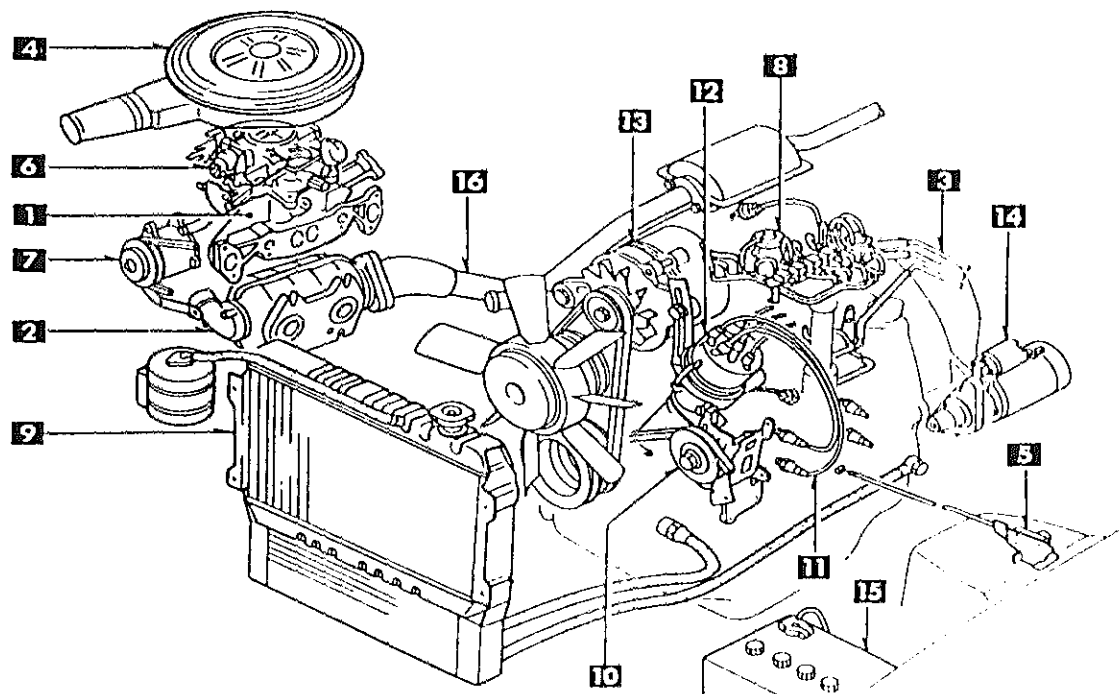

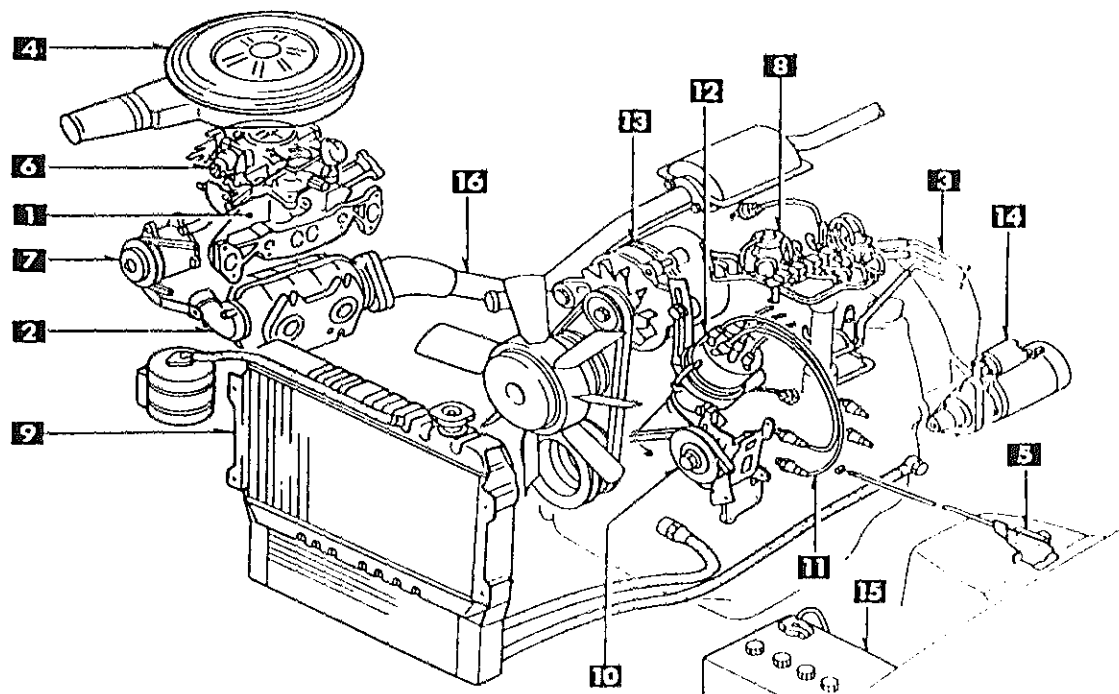
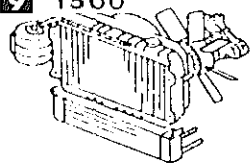
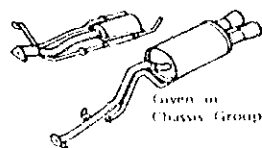
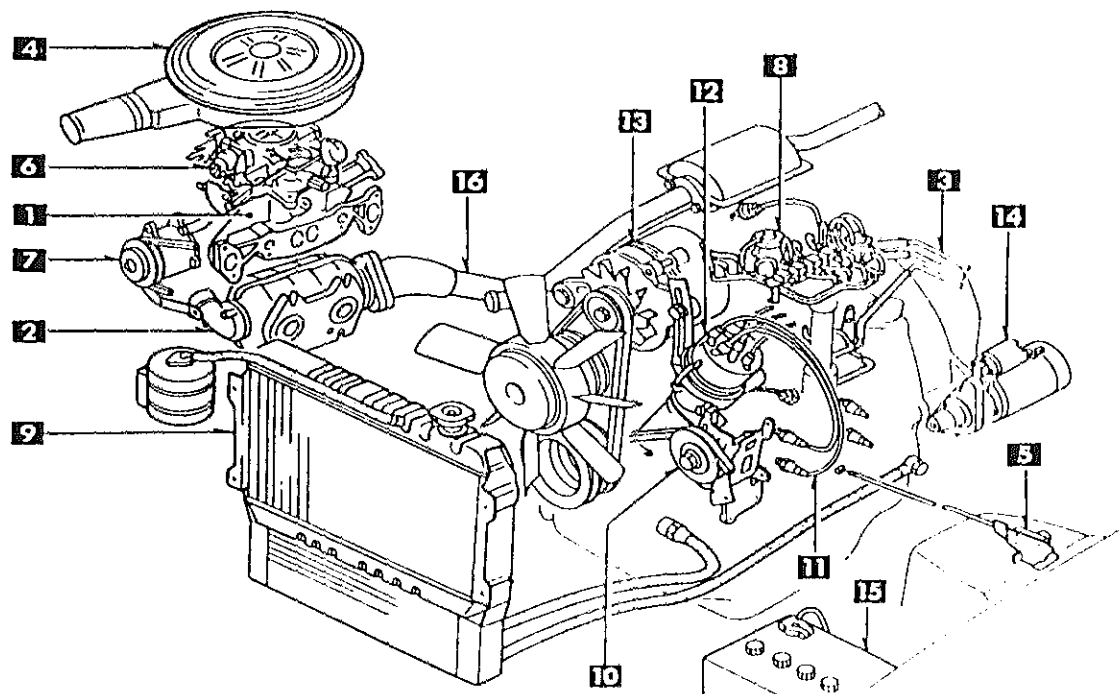

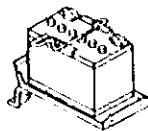
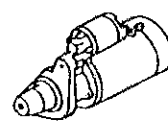
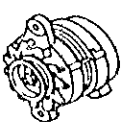
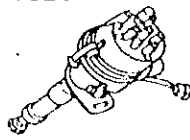
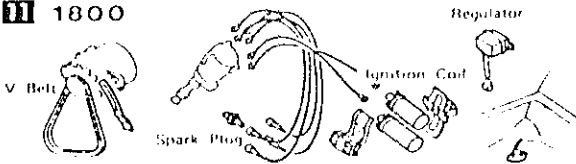


FC33-10001~
FC361-10001~

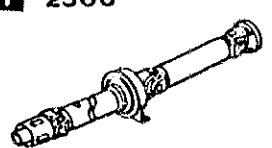
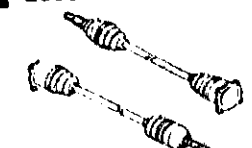

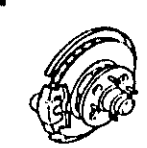
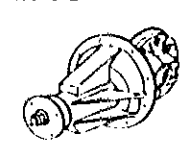
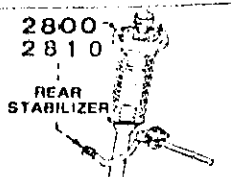
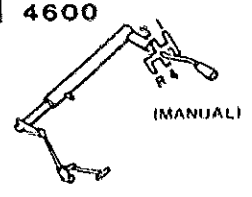
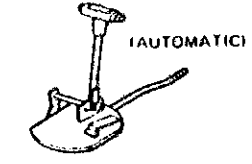
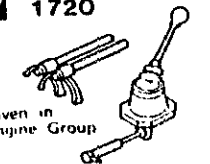
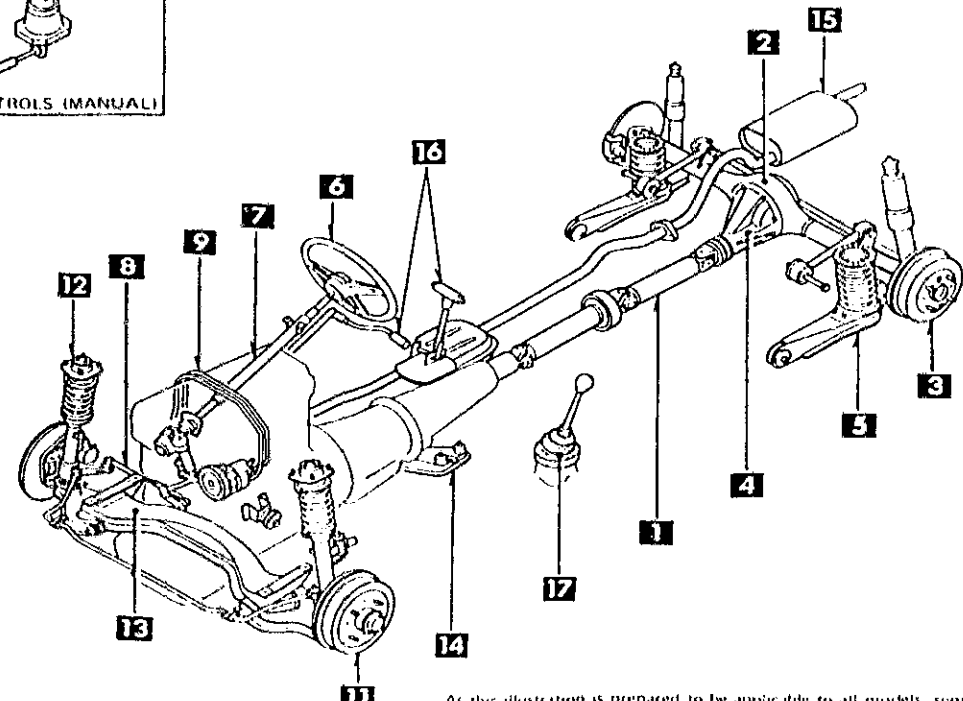
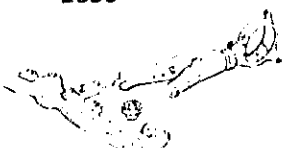
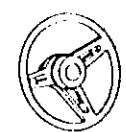
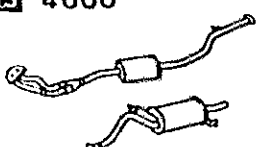
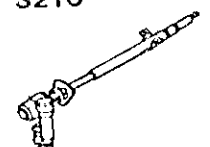
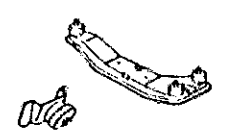

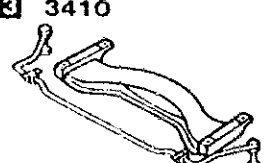
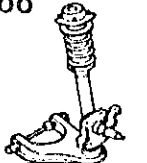
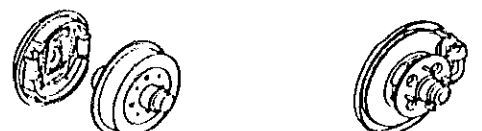
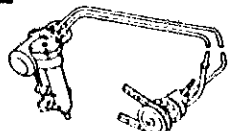
PICTORIAL INDEX

<p>1000</p>  <p>Engine Gaskets</p>  <p>Transmission Gaskets</p>  <p>SHORT ENGINE & GASKET SETS</p>	<p>1 1030</p>  <p>ROTOR HOUSING</p>	<p>2 1040</p>  <p>OIL PAN & FRONT & REAR HOUSINGS</p>	<p>3 1100</p>  <p>ECCENTRIC SHAFT & FLYWHEEL</p>	<p>4 1110</p>  <p>ROTOR & RELATED</p>	<p>5 1400</p>  <p>OIL PUMP & FILTER</p>
<p>17 4600</p>  <p>Given in Chassis Group</p> <p>CHANGE CONTROLS (MANUAL)</p>	<p>ROTARY ENGINE (1/2)</p>  <p style="font-size: small; text-align: center;">As this illustration is prepared to be applicable to all models, some parts are different in specifications from the parts listed in this parts catalog.</p>				<p>6 1600</p>  <p>CLUTCH (MANUAL)</p>
<p>16 3900</p>  <p>Given in Chassis Group</p> <p>ENGINE & T/MISSION MOUNTINGS</p>					<p>7 1700</p>  <p>T/MISSION CASE (MANUAL)</p>
<p>15 1950</p>  <p>MANUAL LINKAGE (AUTOMATIC T/MISSION)</p>	<p>14 1940</p>  <p>LOW, REVERSE & GOVERNOR (AUTOMATIC T/MISSION)</p>	<p>13 1930</p>  <p>CLUTCH & PLANETARY GEARS (AUTOMATIC T/MISSION)</p>	<p>12 1920</p>  <p>CASE & MAIN CONTROLS (AUTOMATIC T/MISSION)</p>	<p>11 1910</p>  <p>CONVERTER, OIL PUMP & PIPING (AUTOMATIC T/MISSION)</p>	<p>8 1710</p>  <p>T/MISSION GEARS (MANUAL)</p>
					<p>9 1720</p>  <p>CHANGE CONTROLS (MANUAL)</p>
<p>10</p>					

PICTORIAL INDEX

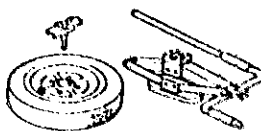
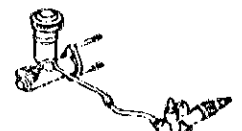

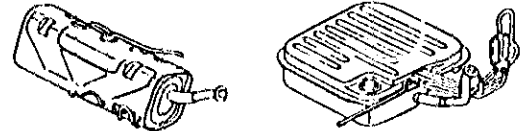
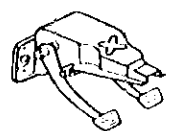
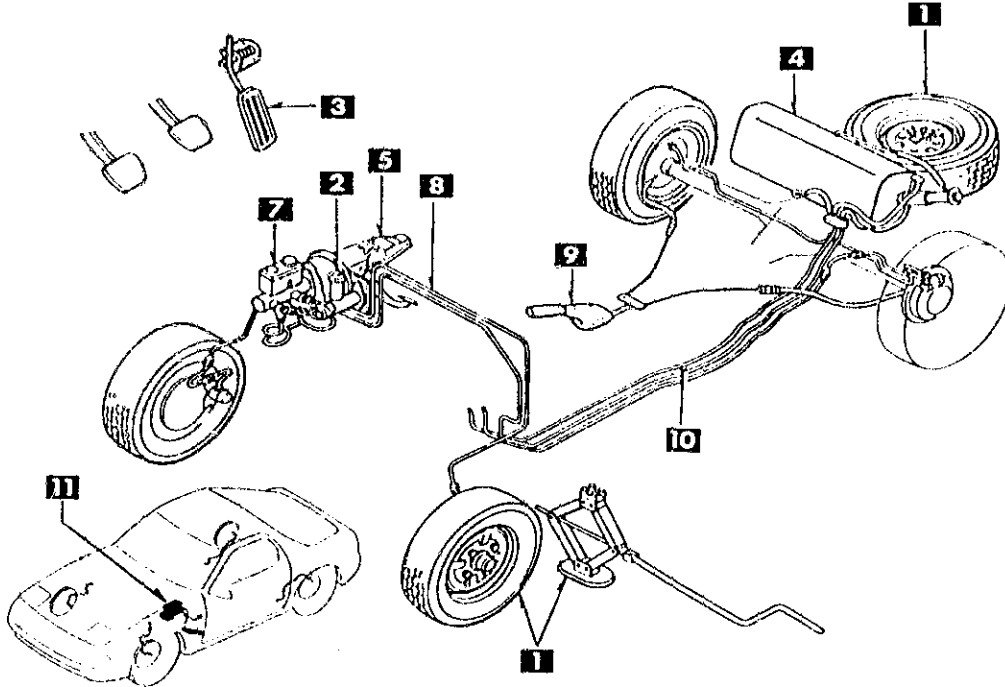
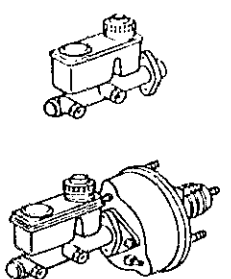




1 1300  IN MANIFOLD	2 1310  THERMAL REACTOR	3 1320  FUEL SYSTEM	4 1330  AIR CLEANER	5 1350  STARTING ASSIST SYSTEM	6 1364  THROTTLE BODY		
<h2 style="margin: 0;">ROTARY ENGINE (2/2)</h2>  <p style="font-size: small; text-align: center;">As this illustration is prepared to be applicable to all models, some parts are different in specifications from the parts listed in this parts catalog.</p>						7 1371  EMISSION CONTROLS (AIR PUMP & CONTROL VALVES)	
<h2 style="margin: 0;">ROTARY ENGINE (2/2)</h2>  <p style="font-size: small; text-align: center;">As this illustration is prepared to be applicable to all models, some parts are different in specifications from the parts listed in this parts catalog.</p>						8 1380  EMISSION CONTROLS (EX. SIDE)	
<h2 style="margin: 0;">ROTARY ENGINE (2/2)</h2>  <p style="font-size: small; text-align: center;">As this illustration is prepared to be applicable to all models, some parts are different in specifications from the parts listed in this parts catalog.</p>						9 1500  COOLING SYSTEM	
16 4000  EX. SYSTEM <small>(Given in Chassis Group)</small>	<h2 style="margin: 0;">ROTARY ENGINE (2/2)</h2>  <p style="font-size: small; text-align: center;">As this illustration is prepared to be applicable to all models, some parts are different in specifications from the parts listed in this parts catalog.</p>						10 1580  COMP. LDR BRACKET, PULLEY & BELT (AIR CONDITIONER)
15 1850  BATTERY	14 1840  STARTER	13 1830  ALTERNATOR	12 1820  DISTRIBUTOR	11 1800  ELECTRICAL SYSTEM (ENGINE) <small>V Belt, Spark Plug, Ignition Coil, Regulator</small>			

PICTORIAL INDEX

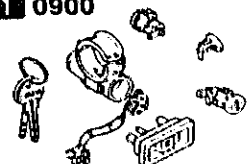
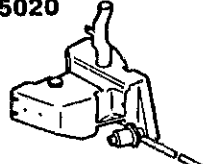

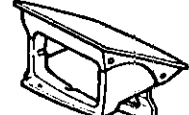
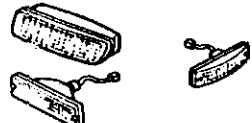
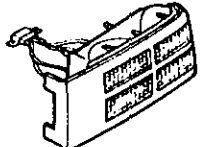

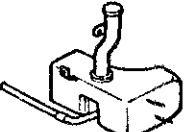
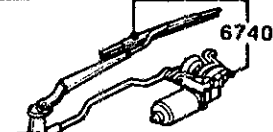
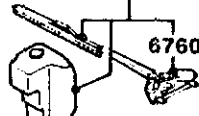

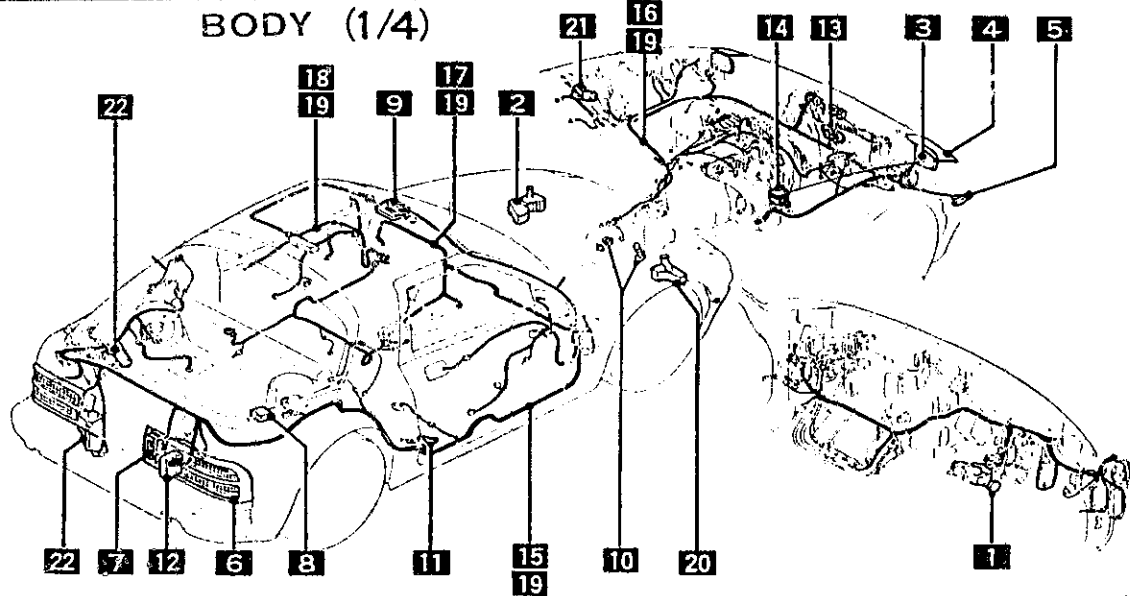
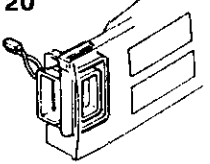

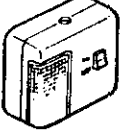

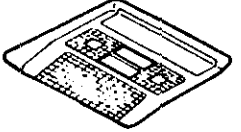

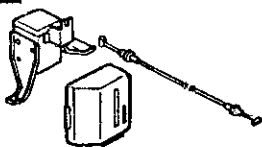
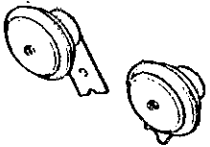


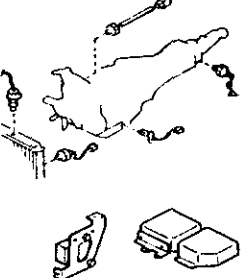
<p>1 2500</p>  <p>PROPELLER SHAFT</p>	<p>2 2550</p>  <p>REAR DRIVE SHAFTS</p>	<p>2600</p>  <p>REAR AXLE</p>	<p>3 2610</p>  <p>REAR BRAKE MECHANISMS</p>	<p>4 2710</p>  <p>DIFFERENTIAL (REAR)</p>	<p>5 2800 2810</p>  <p>REAR STABILIZER</p> <p>REAR SUSPENSION MECHANISMS</p>
<p>16 4600</p>  <p>(MANUAL)</p>  <p>(AUTOMATIC)</p> <p>CHANGE CONTROLS</p>	<p>17 1720</p>  <p>Given in Engine Group</p> <p>CHANGE CONTROLS (MANUAL)</p>	<p>CHASSIS (1/2)</p> 			<p>2830</p>  <p>REAR LOWER ARMS & SUB FRAME</p> <p>6 3200</p>  <p>STEERING WHEEL</p>
<p>15 4000</p>  <p>EX SYSTEM</p>				<p>7 3210</p>  <p>STEERING GEAR & COLUMN</p>	
<p>14 3900</p>  <p>ENGINE & TRANSMISSION MOUNTINGS</p>				<p>8 3220 3230</p>  <p>STEERING GEAR</p> <p>STEERING LINKAGE SYSTEM</p>	
<p>13 3410</p>  <p>CROSSMEMBER & STABILIZER</p>	<p>12 3400</p>  <p>FRONT SUSPENSION</p>	<p>11 3300</p>  <p>FRONT AXLE & BRAKES</p>	<p>10</p>	<p>9 3240</p>  <p>POWER STEERING SYSTEM</p>	

As this illustration is prepared to be applicable to all models, some parts are different in specifications from the parts listed in this parts catalog.

PICTORIAL INDEX


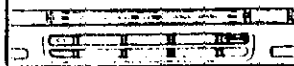




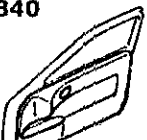
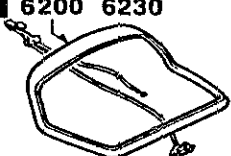



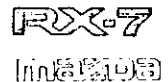

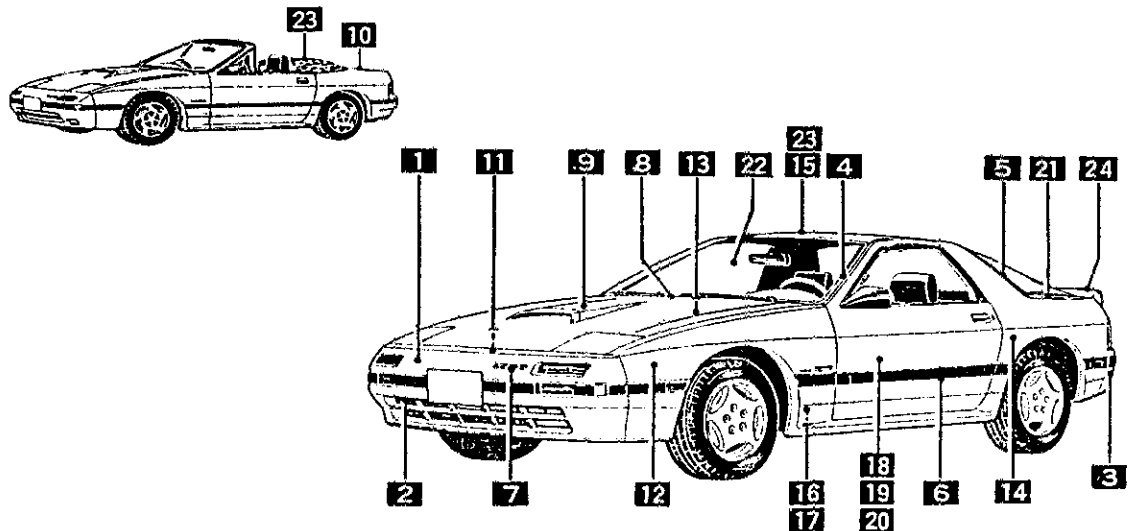
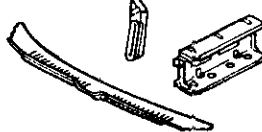

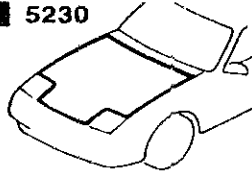
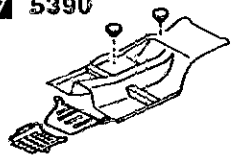



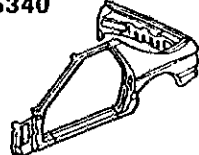
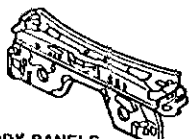
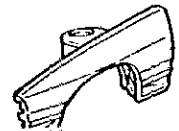
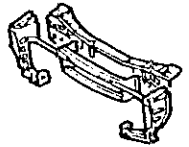
<p>1 3700</p>  <p>TIRE & JACK</p>	<p>2 4140</p>  <p>CLUTCH RELEASE & MASTER CYLINDERS</p>	<p>3 4160</p>  <p>ACCELERATOR CONTROLS</p>	<p>4 4200</p>  <p>FUEL TANK</p>	<p>5 4300</p>  <p>CLUTCH & BRAKE</p>	
<p>CHASSIS (2/2)</p> 					<p>6</p>
<p>As this illustration is prepared to be applicable to all models, some parts are different in specifications from the parts listed in this parts catalog</p>					<p>7 4340</p>  <p>TANDEM MASTER CYL & VACUUM POWER ASSIST SYSTEM</p>
					<p>8 4360</p>  <p>BRAKE PIPING</p>
		<p>11 4370</p>  <p>ANTILOCK BRAKE SYSTEM</p>	<p>10 4500</p>  <p>FUEL & EVAPORATION PIPINGS</p>	<p>9 4400</p>  <p>PARKING BRAKE SYSTEM</p>	

PICTORIAL INDEX

<p>1 0900</p>  <p>KEY SETS</p>	<p>2 5020</p>  <p>HEAD LAMP CLEANER</p>	<p>3 5100</p>  <p>HEAD LAMPS</p>	<p>4 5103</p>  <p>HEAD LAMP RETRACTORS</p>	<p>5 5105</p>  <p>FRONT COMBINATION LAMPS</p>	<p>6 5110</p>  <p>REAR COMBINATION LAMPS</p>
<p>19 6704</p>  <p>WIRING HARNESS CLAMPS</p>	<p>20 6720</p>  <p>WINDSHIELD WASHER</p>	<p>21 6730</p>  <p>WINDSHIELD WIPERS</p>	<p>22 6750</p>  <p>WINDOW WIPER & WASHER (REAR)</p>		
<p>18 6703</p>  <p>WIRING HARNESSSES (DOOR, FLOOR/CEILING)</p>	<p>BODY (1/4)</p> 				<p>7 5120</p>  <p>LICENSE LAMPS</p>
<p>17 6702</p>  <p>WIRING HARNESSSES (DASHBOARD)</p>					<p>8 5125</p>  <p>INTERIOR LAMPS</p>
<p>16 6701</p>  <p>WIRING HARNESSSES (ENGINE & TRANSMISSION)</p>					<p>9 5130</p>  <p>OVERHEAD CONSOLE</p>
<p>15 6700</p>  <p>WIRING HARNESSSES (FRONT & REAR)</p>	<p>14 6640</p>  <p>AUTO CRUISE CONTROL SYSTEM</p>	<p>13 6635</p>  <p>HORNS</p>	<p>12 6630</p>  <p>RELAYS & C.P.U. (BODY)</p>	<p>11 6620</p>  <p>DOOR, PARKING LAMP & KICKDOWN SWITCHES</p>	<p>10 6600</p>  <p>SWITCHES & RELAYS (ENGINE)</p>

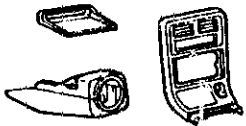
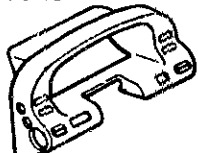
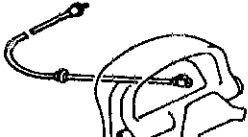
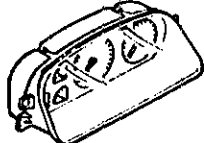
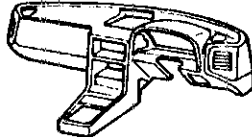
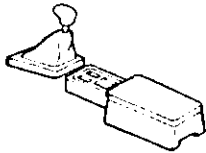
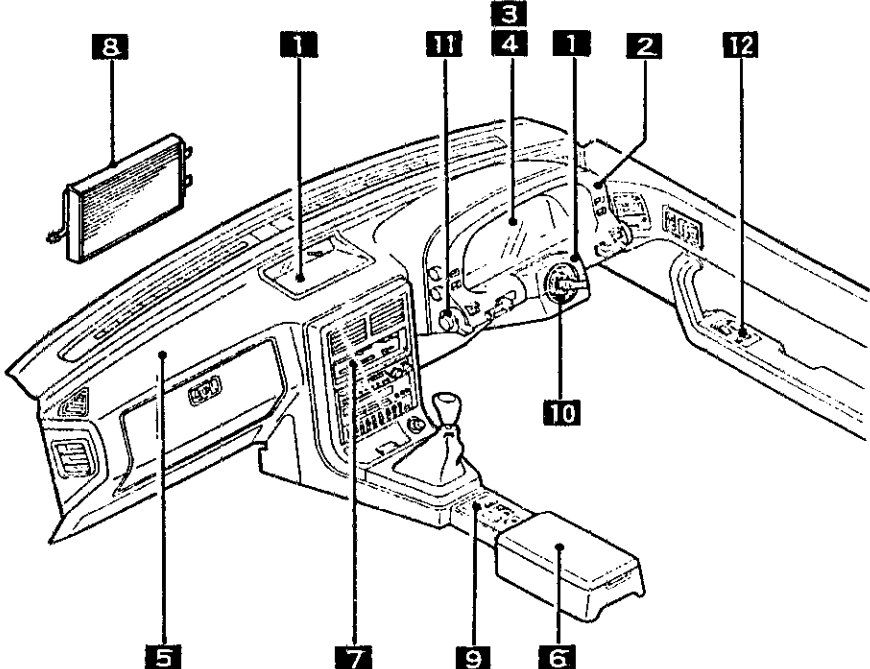
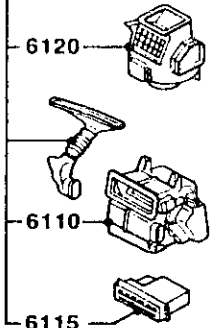
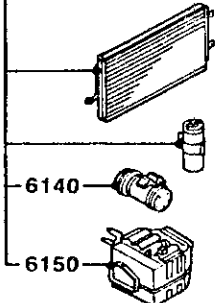
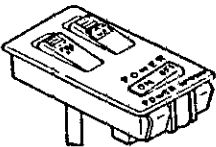
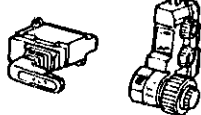
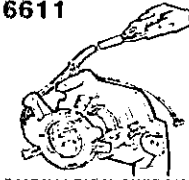
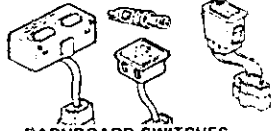
As this illustration is prepared to be applicable to all models, some parts are different in specifications from the parts listed in this parts Catalog.

PICTORIAL INDEX

1 5000  FRONT BUMPER	2 5005  RADIATOR GRILLE	3 5010  REAR BUMPER	4 5030  WINDOW MOULDINGS	5 5040  BODY MOULDINGS	6 5060  SIDE PROTECTORS
20 5840  FRONT DOOR TRIMS & RELATED PARTS	21 6200 6230  LIFT GATE MECHANISMS	22 6300  WINDOW GLASSES	23 6330  SUNROOF	24 7800  SPOILERS & RELATED PARTS	7 5170  ORNAMENTS
19 5830  FRONT DOOR MECHANISMS	BODY (2/4) 				8 5180  COWL & EXTRACTOR GRILLES
16 5800  FRONT DOORS					9 5230  BONNET
17 5390  FLOOR ATTACHMENTS					10 5260  TRUNK LID
16 5370  BODY PANELS (FLOOR)	15 5360  BODY PANELS (ROOF)	14 5340  BODY PANELS (SIDE)	13 5330  BODY PANELS (DASH & COWL PANEL)	12 5320  BODY PANELS (FENDER & WHEEL APRON)	11 5310  BODY PANELS (FRONT)

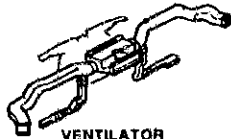

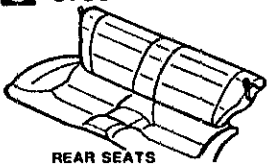
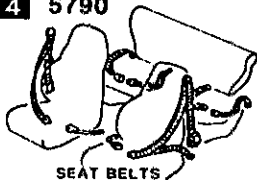

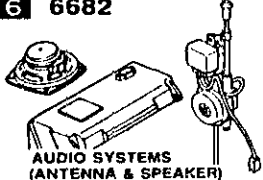
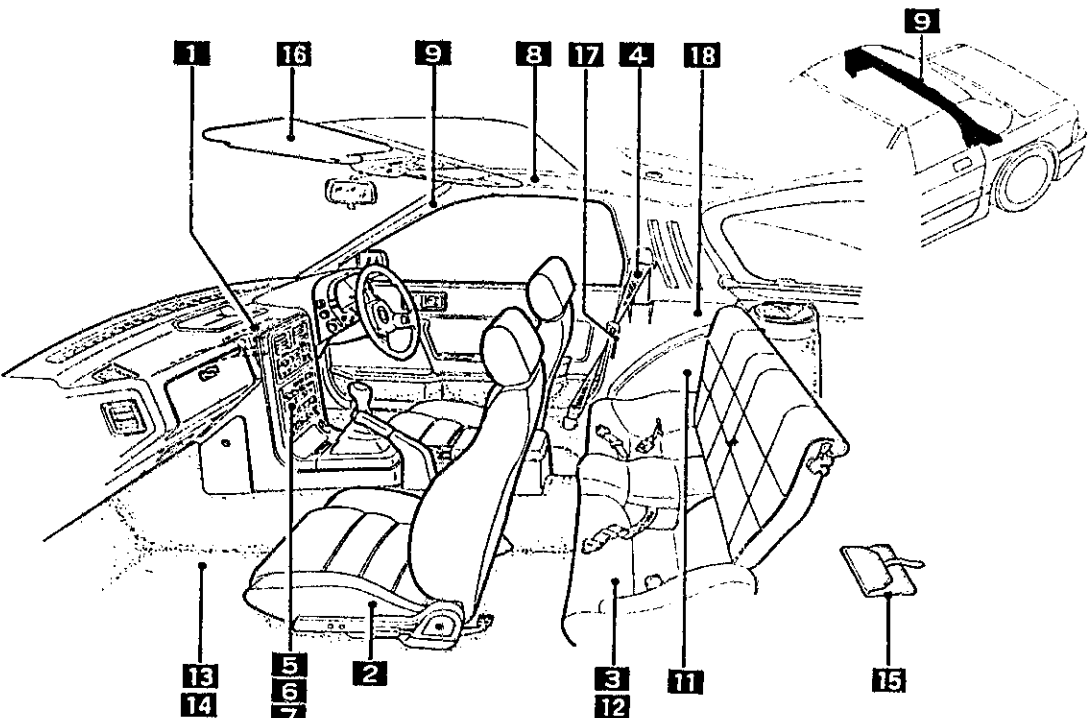

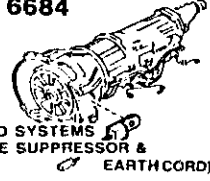

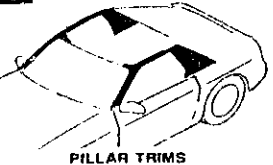



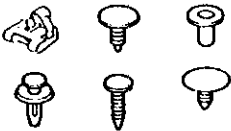
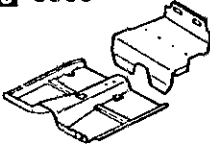
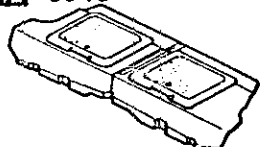
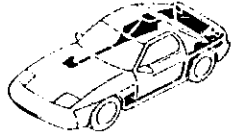
As this illustration is prepared to be applicable to all models, some parts are different in specifications from the parts listed in this parts Catalog

PICTORIAL INDEX

<p>1 5500</p>  <p>DASHBOARD EQUIPMENTS</p>	<p>2 5520</p>  <p>METER HOOD</p>	<p>3 5530</p>  <p>SPEEDOMETER CABLE</p>	<p>4 5540</p>  <p>METERS</p>	<p>5 5560</p>  <p>DASHBOARD & RELATED PARTS</p>	<p>6 5570</p>  <p>CONSOLE</p>
<p>BODY (3/4)</p> 					
<p>7 6100</p>  <p>6120</p> <p>6110</p> <p>6115</p> <p>HEATER</p>					
<p>8 6130</p>  <p>6140</p> <p>6150</p> <p>AIR CONDITIONER</p>					
<p>12 6615</p>  <p>POWER WINDOW SWITCHES</p>					
<p>11 6612</p>  <p>CLUSTER SWITCH</p>					
<p>10 6611</p>  <p>COMBINATION SWITCH</p>					
<p>9 6610</p>  <p>DASHBOARD SWITCHES (MANUAL OPERATING)</p>					

As this illustration is prepared to be applicable to all models, some parts are different in specifications from the parts listed in this parts Catalog

PICTORIAL INDEX

<p>1 5580</p>  <p style="text-align: center;">VENTILATOR</p>	<p>2 5700</p>  <p style="text-align: center;">FRONT SEATS</p>	<p>3 5750</p>  <p style="text-align: center;">REAR SEATS</p>	<p>4 5790</p>  <p style="text-align: center;">SEAT BELTS</p>	<p>5 6680</p>  <p style="text-align: center;">AUDIO SYSTEMS (RADIO & TAPE DECK)</p>	<p>6 6682</p>  <p style="text-align: center;">AUDIO SYSTEMS (ANTENNA & SPEAKER)</p>
<p>BODY (4/4)</p> 					
<p>18 7250</p>  <p style="text-align: center;">REAR WINDOW GLASSES & TRIMS</p>					<p>7 6684</p>  <p style="text-align: center;">AUDIO SYSTEMS (NOISE SUPPRESSOR & EARTH CORD)</p>
				<p>8 6800</p>  <p style="text-align: center;">CEILING TRIMS</p>	
				<p>9 6820</p>  <p style="text-align: center;">PILLAR TRIMS</p>	
				<p>10 6810</p>  <p style="text-align: center;">ROLL OVER BAR</p>	
<p>16 6900</p>  <p style="text-align: center;">VISORS, ASSIST HANDLES & MIRRORS</p>	<p>15 6870</p>  <p style="text-align: center;">SERVICE TOOLS</p>	<p>14 6865</p>  <p style="text-align: center;">TRIM CLIPS & FASTENERS</p>	<p>13 6860</p>  <p style="text-align: center;">FLOOR MATS & PADS</p>	<p>12 6845</p>  <p style="text-align: center;">STORAGE BOX</p>	<p>11 6840</p>  <p style="text-align: center;">TRIMS & SCUFF PLATES</p>

As this illustration is prepared to be applicable to all models, some parts are different in specifications from the parts listed in this parts Catalog

MODEL IDENTIFICATION

MDL NO.	ENG*		T/M	BODY		ROOF	SUSP		DIFF	BRK		SUSP		SEAT		PERIOD		YEAR			TRIM LEVEL										VIN (CHASSIS #)	COMPLETE ASSEMBLY UNIT						
	W/O TURBO	W/ TURBO	5 SPEED	A UTO	C OUPLE	C ONV	N ORM	S UNROOF	W/ O AAS	W/ AAS	N ORM	L IM SLIP	W/ O ABS	W/ ABS	N ORM	H ARD	2 SEATER	2 +	F ROM	T O	1 9 8 6	1 9 8 7	1 9 8 8	B ASE	L X P KG	S E	S P O R T	G T U	G X L	T U R B O		C O N V	1 0 T H	PART NUMBER				
																																					ENGINE	T/MISSION
FB01	X		X		X		X		X		X		X		X		X		8/85	12/88	X	X	X	X		X									FC33*-100001-	N326-02-000	M582-03-000	FB01-07-000
FB02	X			X	X		X		X		X		X		X		X		8/85	12/88	X	X	X	X		X									FC33*-100001-	N327-02-000	BU17-19-090F	FB02-07-000
FB03	X		X		X		X	X		X		X		X		X		8/85	12/88	X	X	X		X	X										FC33*-100001-	N326-02-000	M582-03-000	FB03-07-000
FB04	X			X	X		X	X		X		X		X		X		8/85	12/88	X	X	X		X	X										FC33*-100001-	N327-02-000	BU17-19-090F	FB04-07-000
FB07	X		X		X		X		X	X		X		X	X		8/85	12/88	X	X	X								X						FC33*-100001-	N326-02-000	M582-03-000	FB07-07-000
FB08	X			X	X		X		X	X		X		X	X		8/85	12/88	X	X	X								X						FC33*-100001-	N327-02-000	BU17-19-090F	FB08-07-000
FB11	X		X		X		X		X	X		X		X		X		8/85	12/88	X	X	X							X						FC33*-100001-	N326-02-000	M582-03-000	FB07-07-000
FB12	X			X	X		X		X	X		X		X		X		8/85	12/88	X	X	X							X						FC33*-100001-	N327-02-000	BU17-19-090F	FB08-07-000
FB39	X		X		X		X		X	X		X		X		X		8/85	12/88	X	X	X	X		X										FC33*-100001-	N326-02-000	M582-03-000	FB01-07-000
FB40	X			X	X		X		X	X		X		X		X		8/85	12/88	X	X	X	X		X										FC33*-100001-	N327-02-000	BU17-19-090F	FB02-07-000
FB41	X		X		X		X	X		X		X		X		X		8/85	12/88	X	X	X		X	X										FC33*-100001-	N326-02-000	M582-03-000	FB03-07-000
FB42	X			X	X		X	X		X		X		X		X		8/85	12/88	X	X	X		X	X										FC33*-100001-	N327-02-000	BU17-19-090F	FB04-07-000
FB43	X		X		X		X		X	X		X		X	X		8/85	12/88	X	X	X						X	X							FC33*-100001-	N326-02-000	M582-03-000	FB01-07-000
FB47		X	X		X		X	X		X		X		X	X		2/86	12/88			X	X							X					FC33*-500001-	N332-02-000	R526-03-000	FB46-07-000	
FB69	X		X		X		X	X		X		X		X	X		11/85	12/88	X	X	X						X	X						FC33*-100001-	N326-02-000	M582-03-000	FB03-07-000	
FB55	X		X		X		X		X	X		X		X	X		6/86	12/88			X	X							X					FC33*-500001-	N326-02-000	M582-03-000	FB55-07-000	
FB56	X			X	X		X		X	X		X		X	X		6/86	12/88			X	X							X					FC33*-500001-	N327-02-000	BU17-19-090F	FB56-07-000	
FB57	X		X		X		X		X	X		X		X	X		6/86	12/88			X	X							X					FC33*-500001-	N326-02-000	M582-03-000	FB55-07-000	

* 13B ENGINE.

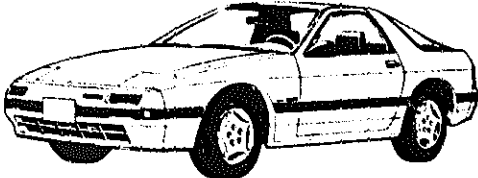
MODEL IDENTIFICATION

MODEL NO.	ENG°		T/M	BODY		ROOF	SUSP		DIFF	BRK		SUSP		SEAT		PERIOD		YEAR			TRIM LEVEL										VIN (CHASSIS #)	COMPLETE ASSEMBLY UNIT			
	W/O	W/TURBO	S	A	C	C	N	S	W	L	W	N	H	2	2	F	T	1	1	1	B	L	S	S	G	G	T	C	1	PART NUMBER					
			PEED	UTO	OUPE	ONV	ORM	SUN	WO	W	ORM	L	W	N	H	2	2	FROM	TO	9	8	6	BASE	PKG	SPORT	GTU	GXL	TURBO	CONV	10TH ANN		ENGINE	T/MISSION	CABIN	
FB58	X			X	X		X	X	X	X	X	X	X	X	X	6/86	12/88		X	X						X				FC33*-500001-	N327-02-000	BU17-19-090F	FB56-07-000		
FB61		X	X		X		X	X		X	X	X	X	X	X	6/86	12/88		X	X							X			FC33*-500001-	N332-02-000	R526-03-000	FB61-07-000		
FB77	X		X	X		X	X		X	X		X	X	X	7/87	12/88				X				X	X				FC33*-800001-	N326-02-000	M582-03-000	FB01-07-000			
FB78	X		X	X		X	X	X	X	X	X	X	X	X	7/87	12/88				X				X	X				FC33*-800001-	N326-02-000	M582-03-000	FB03-07-000			
FB68	X		X		X		X	X	X	X	X	X	X	X	7/87	12/88				X								X	FC351-100001-	N338-02-000	M50N-03-000	FB67-07-000			
FB79		X	X				X	X		X	X		X	X	2/88	12/88				X									X	FC33*-500001-	N332-02-000	R526-03-000	FB79-07-000		

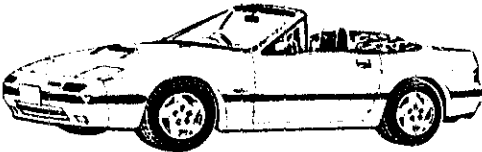
* 13B ENGINE.

MODEL IDENTIFICATION

COUPE



CONVERTIBLE



COMBINATION LIST OF BODY PAINTS AND INTERIOR COLORS

BODY PAINT		INTERIOR COLOR CODE						EFFECTIVE DATE
NAME	CODE	COUPE			CONV.			
ARCTIC SILVER METALLIC	J5		FD5	FD6		FD5	FD6	
TORONADE SILVER METALLIC	K8	FD2	FD5					
BRILLIANT BLACK	PZ	FD2	FD5			FD5		860402-
SUNRISE RED	RH	FD2	FD5			FD5		
CRYSTAL WHITE	UC				FD7			880215-
NOBLE WHITE	WY			FD6			FD6	
SATIN GOLD METALLIC	1A	FD2						
CLARET MICA	2H		FD5					870701-
SAPPHIRE BLUE METALLIC	5A		FD5	FD6			FD6	
PURE RED	NP		FD5					860402-
DOVER WHITE	WU	FD2	FD5	FD6				860402-
ROYAL MAROON METALLIC	3A	FD2	FD5					861225-

INTERIOR COLOR CODES

FD2 = RED
 FD5 = GRAY
 FD6 = BLUE
 FD7 = BLACK

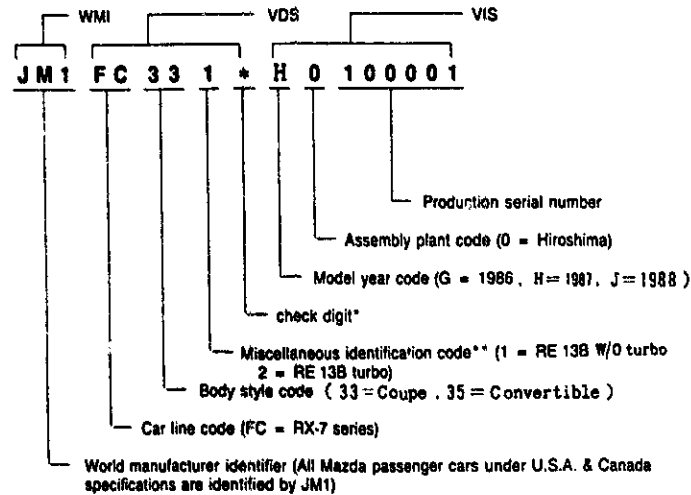
VIN BREAKDOWN

860402 FC33* -140427
 861225 FC33* -528438
 870701 FC33* -800001

VEHICLE IDENTIFICATION SYSTEM FOR RX-7

SERIES (1986~1988)

VIN (= Vehicle Identification Number) for RX-7 series (1986~1988 Year Model) consists of WMI (= World Manufacturer Identifier), VDS (= Vehicle Description Section) and VIS (= Vehicle Identification Section). VDS consisting of six alphanumeric characters denotes the "MODEL SERIES". VIS consisting of eight alphanumeric characters denotes the serial unit number of vehicle and is sequentially numbered within each VDS.

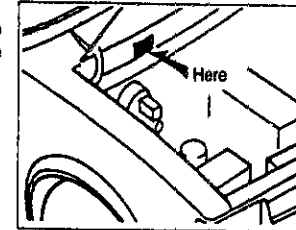


* Check digit is included as a VIN security feature to permit law enforcement verification of the authenticity of a suspected illegal VIN plate. This single digit number is determined, based upon a complex mathematical formula which is applied to each vehicle's VIN number.

** Miscellaneous Identification Code identifies major components such as engine, brake system, cab type, etc.

LOCATION OF VIN PLATE

The plate is attached to the top ledge of the dash panel under the bonnet (engine hood), refer to the illustration shown right.



[NOTE]

If the VIN (chassis) reference number in the PCM (Parts catalog microfiche) appeared as:

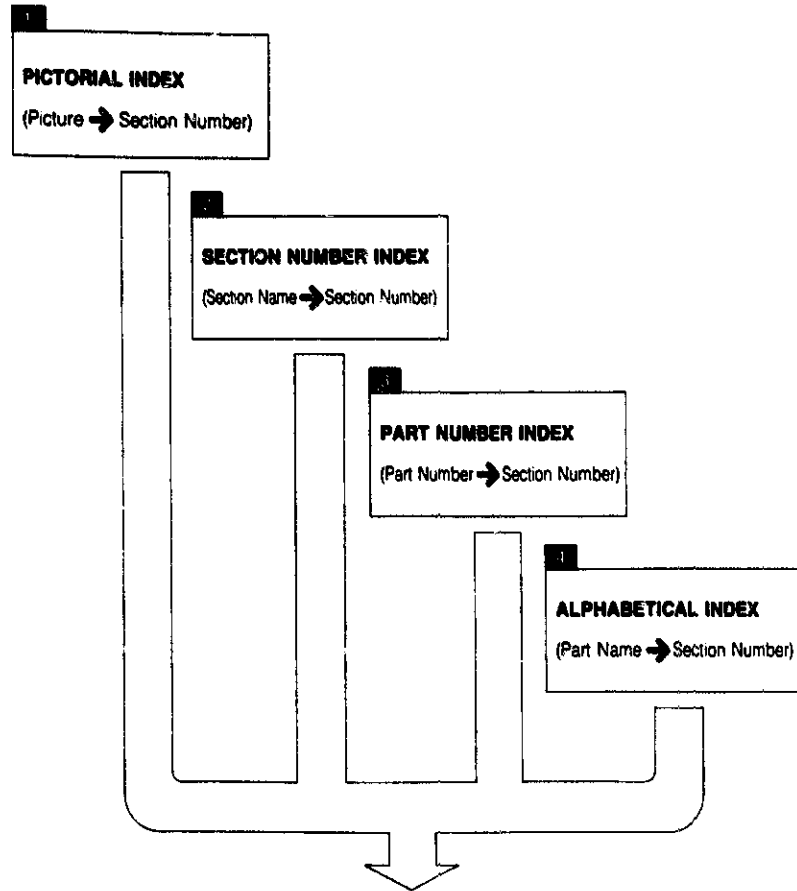
FC33 *-100001

..... the vehicle's VIN would be e.g. FC331H0100001.

INSTRUCTIONS

HOW TO LOCATE PARTS

There are four approaches to locate parts as follows.



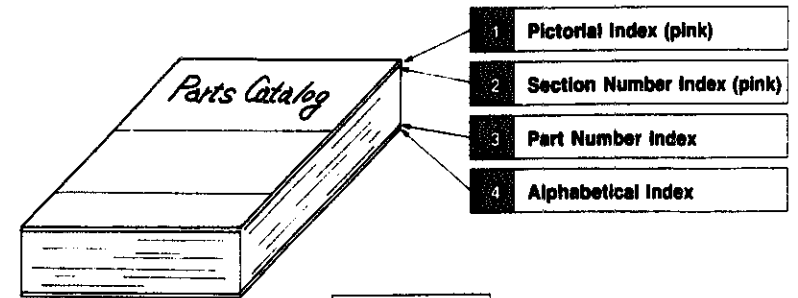
Open the catalog to the illustration page indicating the referred section number at the upper left corner of the page.

Find the D-code indicated for the desired part in the illustration.

All your necessary information on the desired part is found at the referred D-code that is located within the related text (s) following the illustration.

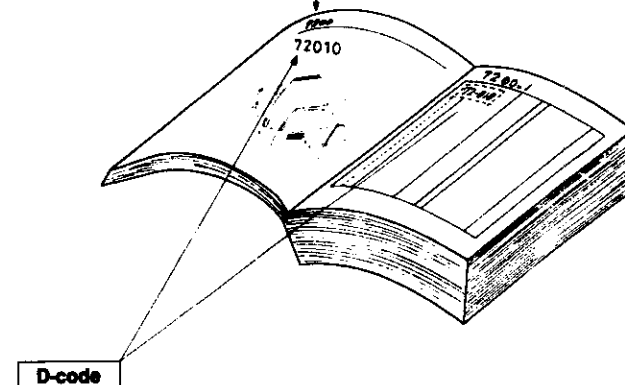
IMPORTANT

If you are not sure which parts catalog compiled to cover the model you are researching, refer to **MODEL IDENTIFICATION** and/or **VEHICLE IDENTIFICATION SYSTEM** located at the very front part of the parts catalog



Section Number

The illustration and related text pages are compiled in numerical sequence by section number through the parts catalog. However, there is one exception: the section number, "0900 key sets" is always located in the first part of Body group.

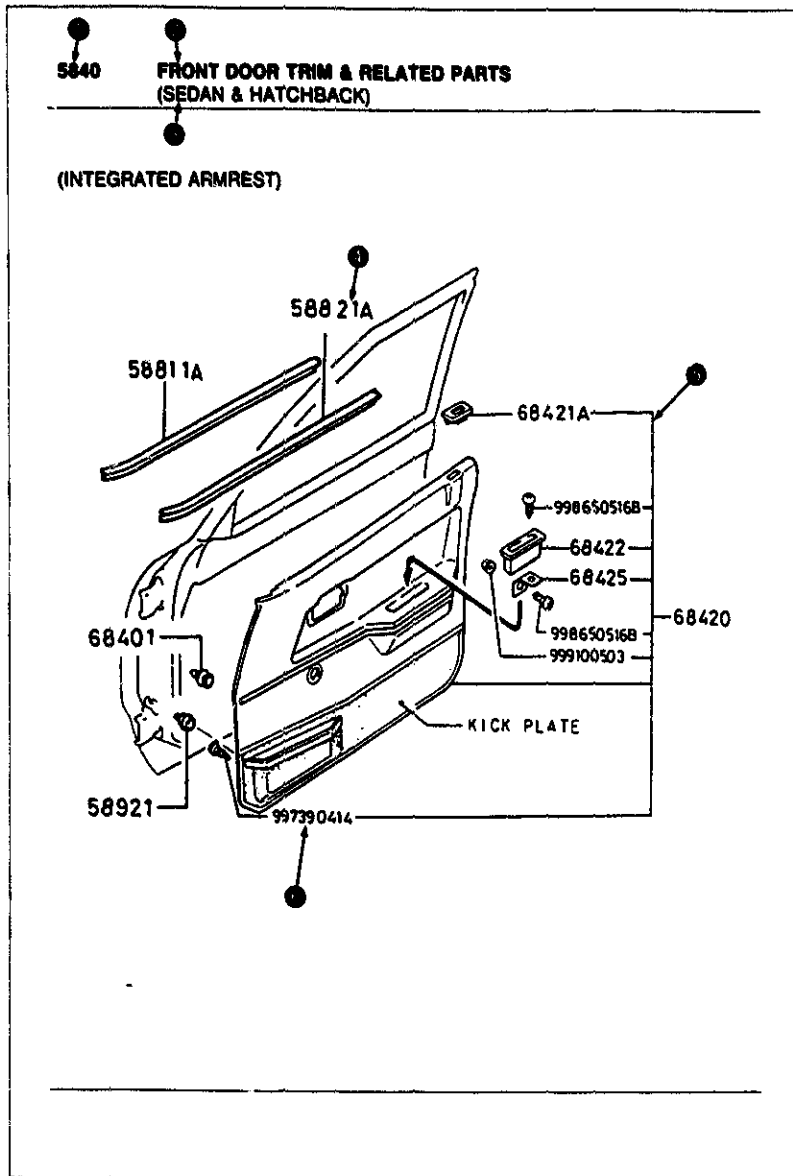


D-code

In the text, the D-codes and the related information are listed in the alphabetical and numerical sequence by D-code within each section number

HOW TO INTERPRET THE ILLUSTRATION

In the example shown below, each item is interpreted as follows.



1 SECTION NUMBER

Each illustration is identified by Section Number which indicates the group of parts classified by function.

2 SECTION NAME

3 SECTION'S APPLICATION

The section's application is indicated in parentheses () below the section name when the affected illustration/text is applicable to specific model, certain period of the production, etc.

4 D-CODE (KEY NUMBER)

The D-code consisting of five or six digits serves as a "KEY NUMBER" to co-ordinate a drawing with its detail information in the text.

5 RELATIONSHIP BETWEEN ASSEMBLY AND ITS COMPONENTS

The relationship between an Assembly and its Components is illustrated only by drawing. The example shown left denotes that D-code 68420 includes D-codes, 68421A, 68422 and 68425 and standard part numbers, 998650516B, 999100503 and 997390414.

6 STANDARD PART NUMBER

Nine or ten-digit number which appears in the illustration is standard part number. The standard part number indicated in the illustration instead of D-code does not appear in the related text.

HOW TO INTERPRET THE TEXT

In the example shown below, each item is interpreted as follows.

PART NO.	QT	MODEL/RESTRICTION	MODE/RESTRICTION	MODEL/RESTRICTION	FROM:TO
FRONT DOOR TRIM & RELATED PARTS (SEDAN & HATCHBACK)					
58-921 G030-68-401	22	FASTENER	AGRAFE, GARNITURE	FUADOR, DECORACION	-3315
C (G030-68-401A)		CE > SDN	MOT CONV > BRLN	MG > SDN	
		CE > HB	MOT CONV > A/HYO AR	MG > DPT	
G030-68-401A	22	CE > SDN	MOT CONV > BRLN	MG > SDN	3315-
		CE > HB	MOT CONV > A/HYO AR	MG > DPT	
58-420 G806-68-420B	1	TRIM(P), DOOR (INTEGRATED ARMREST)	GARNITURE (D), PORTE (APPUI-BRAS INTEGRE)	MOL.DURA (DER), PUERTA (DESCANSABRAZO INTEGRADO)	-2B01
		CE > SDN	MOT CONV > BRLN	MG > SDN	
		CE > HB	MOT CONV > A/HYO AR	MG > DPT	
00		BA1 BLACK	BA1 NOIR	BA1 NEGRO	-2B01
A (G806-68-420C00)					
10		BA2 RED	BA2 ROUGE	BA2 ROJO	-2B01
A (G806-68-420C10)					
G806-68-420C	1	(INTEGRATED ARMREST)	(APPUI-BRAS INTEGRE)	(DESCANSABRAZO INTEGRADO)	2B01-
		CE > SDN	MOT CONV > BRLN	MG > SDN	
		CE > HB	MOT CONV > A/HYO AR	MG > DPT	
00		BA1 BLACK	BA1 NOIR	BA1 NEGRO	2B01-
10		BA2 RED	BA2 ROUGE	BA2 ROJO	2B01-
2B01 GC221-503869				G030-68-401 C	
GC241-501129				G030-68-401A D1	
3315 GC221-515671				9928-10-500 02	
GC241-504548					

1 SECTION NUMBER

2 TEXT SEQUENCE NUMBER

The number following a hyphen denotes the text sequence number within each section number.

3 SECTION NAME

4 SECTION'S APPLICATION

5 D-CODE

In the text, D-codes and the related information are listed in the alphabetic and numeric sequence by D-code within each section number.

6 PART NAME

Part name is described for each D-code in one through three languages out of four languages such as English, French, Spanish and German.

The indicated languages vary, depending upon the market which the parts catalog is applicable to.

7 PART NUMBER

Under one D-code, if there are more than one part number due to the part change involved, the part numbers are listed in the sequence of the part production timing; the early used part number is shown first and the later one follows it.

8 INTERCHANGEABILITY CODE

One- or two-digit alphabet appearing in the extrem left hand side of the text is an interchangeability code.

This code indicates the nature of interchangeability between the two part numbers shown in the right with parentheses and above.

The following interchangeability codes have been currently used in the parts catalog.

Code	Definition
A	One Way A new part can be used in place of the former part, but the former part cannot be used in place of the new part.
AN	Both Way A new part and the former part are fully interchangeable.
C	Plus A new part requires additional part(s) to be used in place of the former part.
CG	Plus A new part requires additional part(s) and modification work to be used in place of the former part.
G	Plus A new part requires modification work to be used in place of the former part.
S	One Way Backward The former part can be used in place of a new part, but the new part cannot be used in place of the former part.

① SUPERSEDING PART NUMBER

When a part is changed and new part is interchangeable with the former part, the new part number as the superseding part is shown in parentheses right under the former (superseded) part number.

② NEW PART NUMBER IDENTIFICATION

An asterisk (*) denotes that the indicated part number has been added since the last microfiche edition (not the last paper edition).
The microfiche parts catalog is revised more frequently than the paper one.

③ QUANTITY

This denotes the quantity of the part used under the indicated D-code within each section number.

④ MODEL APPLICATION

Model application for each part number is described in one through three languages out of four languages such as English, French, Spanish and German.

⑤ PART USAGE RESTRICTION

Part usage restriction is shown for factory installed option parts to indicate under what condition the part is installed.
This information is also described in one through three languages.

⑥ COLOR CODE OF PART NUMBER

For color keyed parts, two-digit color code(s) appear(s) right under its basic part number consisting of nine or ten digits. The complete part number for color keyed parts consists of the basic part number (9 or 10 digits) and the color code (2 digits).

⑦ INTERIOR or PAINT CODE FOR VEHICLE

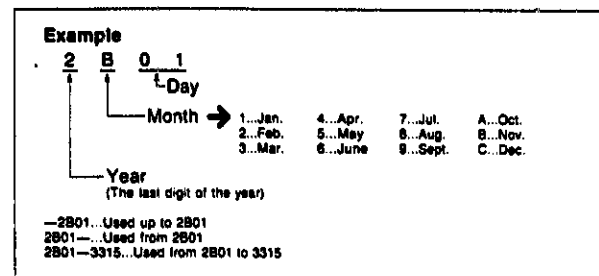
The applicable interior or paint code(s) for the vehicle is (are) indicated to each color code of part number.

⑧ COLOR DESCRIPTION OF PART

A color description of the part is indicated to each part's color code in one through three languages.

⑨ PART CHANGE DATE

When a part is added, changed or deleted, the effective date coded in four digits is shown as follows.

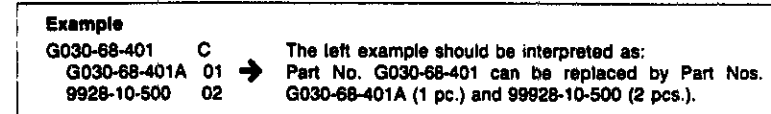


⑩ VIN NUMBER

The VIN number(s) related to the part change date is (are) shown in the footnote column, referring each date shown above.

⑪ MULTIPLE SUPERSESSION

Shown as the example is a multiple supersession identified by the interchangeability codes "C" and "CG": one part can be replaced by more than one part.
When the interchangeability codes "C" or "CG" appears in the text, a complete information on the multiple supersession will be shown in the footnote column of the same text.



HOW TO INTERPRET THE VIN APPLICATION

If the part change date appears as the example below:

PART NO.	QT	MODEL/RESTRICTION	MODEL/RESTRICTION	MODEL/RESTRICTION	FROM-TO
11-210		RDD, CONNECTING	BIELLE	BIELA	
① E301-11-210	4	1100 1300	1100 1300	1100 1300	-3801
② E301-11-210A	4	1100 1300	1100 1300	1100 1300	3801-4215
③ E301-11-210B	4	1100 1300	1100 1300	1100 1300	4215-

3801 BD1012 805912
BD1032 824340
4215 BD1012 816750
BD1032 830192

it should be interpreted:

- ① Part No. E301-11-210 is applicable to 1100 cc, from the initial production through BD1012 805911 (= 805912 minus 1) and 1300 cc, from the initial production through BD1032 824339 (= 824340 minus 1).
- ② Part No. E301-11-210A is applicable to 1100 cc, from BD1012 805912 through BD1012 816749 (= 816750 minus 1) and 1300 cc, from BD1032 824340 through BD1032 830191 (= 830192 minus 1).
- ③ Part No. E301-11-210B is applicable to 1100 cc, from and after BD1012 816750 and 1300 cc, from and after BD1032 83192.

Note:

The parts catalog often shows the catalog designation VIN instead of the actual VIN. For the correct interpretation for the catalog designation VIN, refer to explanation in "Vehicle Identification System" shown in the extreme right row of the last microfiche in the set.

HOW TO INTERPRET THE SUPERSESSION

If the supersession information appears as the example below:

PART NO.	QT	MODEL/RESTRICTION
58-921		FASTENER
G030-68-401	22	1300
A (G030-68-401A)		1500
G030-68-401A	22	1300
		1500

Interchange-ability Code
Superseding Part Number

Model Application for Part No. G030-68-401

PART NO.	QT	MODEL/RESTRICTION
68-420		TRIM (R) DOOR
G806-68-420A	1	
00		BA1 BLACK
A (G806-68-420B00)		
10		BA2 RED
A (G806-68-420B10)		
G806-68-420B	1	
00		BA1 BLACK
10		BA2 RED

Color Code

Interchange-ability Code
Superseding Part Number

it should be interpreted:

- ① Part No. G030-68-401A can be used in place of part No. G030-68-401.
- ② Part No. G806-68-420B00 can be used in place of part No. G806-68-420A00.
- ③ Part No. G806-68-420B10 can be used in place of part No. G806-68-420A10.

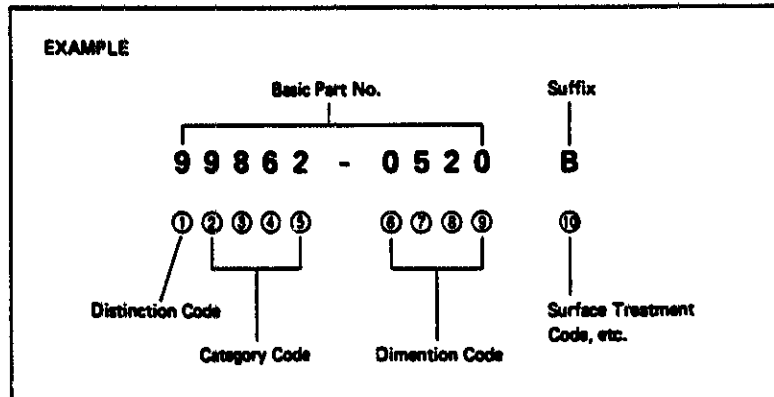
MAZDA STANDARD PARTS

The Parts standardized in form and dimension such as Bolts, Nuts, Washers, Hoses, Disc Wheels, etc. are called Mazda Standard Parts.

All Mazda Standard Part Numbers are identified by "9" in the first digit. The numbering structure of Standard Parts varies, depending upon the type of part.

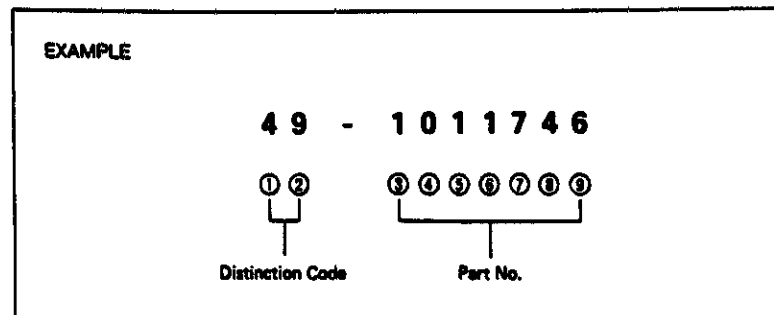
The following is just one example of Standard Part Number.

For further details and examples, refer to the wall chart, "LIST OF STANDARD PARTS".



MAZDA SPECIAL TOOLS

In order to repair Mazda Vehicles, several special tools are required. These are called Mazda Special Tools. Mazda Special Tools are identified by the Part Number starting with "49".



ABBREVIATION LIST

ABBREV.	MAY REPLACE	ABBREV.	MAY REPLACE
1ST	First	CAL.	California
2ND	Second	CASS.	Cassette
3RD	Third	CAT.	Category
4TH	Fourth	Cd	Coefficient Of Drag
4 SPD	Four Speed	CD	Compact Disk
4WS	Four Wheel Steering	C.G.R.	Constant Gear Ratio
4WD, 4X4	Four Wheel Drive	CHG.	Change
5TH	Fifth	CHK.	Check
5 SPD	Five Speed	CHMBR	Chamber
		CHN.	Chain
A.A.	Anti Airburn	CIGAR.	Cigarette
A.A.S.	Auto Adjusting Suspension	CI	Coefficient Of Lift
ABS	Anti Lock Braking System	CLPR	Caliper
A/C	Air Conditioning	CVTR.	Converter
A.C.C.	Automatic Cruise Control	COMB.	Combination
ACCEL.	Accelerator	COND.	Condenser
A.C.V.	Air Control Valve	COMP.	Compressor
A.E.	Acoustical Equalizer	CONV.	Convertible
ALUM	Aluminum	C/P	Cab Plus
ALL	Automatic Load Leveling	C.S.D.	Cold Start Device
ALT.	Alternator	CSTG.	Coating
AMP.	Amplifier	CTR.	Center
ANT.	Antenna	CTRL.	Control
APR.	April	CV	Constant Velocity
ASSY.	Assembly	CVR.	Cover
A/T	Automatic Transmission	CYL.	Cylinder
AUG.	August		
AUTO.	Automatic	DASH.	Dashboard
		Db	Decibels
BAL.	Balance	DEC.	December
BELT.	Beltline	DEF.	Defroster
BFGR	B. F. Goodrich	DIAPH	Diaphragm
BRDG	Bridgestone	DIFF.	Differential
BRG.	Bearing	DNLP	Dunlop
BRKT.	Bracket	DOHC	Double Overhead Camshaft
BRN.	Brown	DSL.	Diesel
BLK.	Black	DTSS	Dynamic Tracking Suspension System
BLU.	Blue		Deluxe
BMPR.	Bumper	DX	
B.S.V.	Bleed Solenoid Valve	ECAT	Electronically Controlled A/T
BULL.	Bulletin	EGI	Electronic Gas Injection
BW	Black Wall	EGR	Exhaust Gas Recirculation

ABBREVIATION LIST

ABBREV.	MAY REPLACE	ABBREV.	MAY REPLACE
ELEC.	Electric	INN.	Inner
ENG.	Engine	INT.	Interior
ETR	Electronically Tuned Radio	INTMT.	Intermittent
EXC.	Except	INJ.	Injector, Injected
EXH.	Exhaust	I.R.S.	Independent Rear Suspension
EXT.	Extension		
EQ	Equalizer	JAN.	January
		JUL.	July
FEB.	February	JUN.	June
FED.	Federal		
F.I.	Fuel Injection	KG	Kilogram
FLEX	Flexible	KM	Kilometer
F/LID	Fuel Lid	KW	Kilowatt
FRT.	Front		
FRST	Firestone	(L), LT	Left
FSTNR.	Fastener	L=	Length
		LCD	Liquid Crystal Display
G	Gram	L/B	Long Bed
GAS.	Gasoline	LH	Left Hand
GDYR	Goodyear	LPG	Liquid Petroleum Gas
GEN.	General	L.S.D.	Limited Slip Differential
GOV.	Governor		
GRN.	Green	LWR	Lower
GRY.	Gray	LX	Luxury
GSKT.	Gasket		
		M	Metallic
H.A.C.	High Altitude Compensator	MAR.	March
		MC	Mica
HARN.	Harness	MCHN	Michelin
H/B	Hatchback	MLDG.	Moulding, Mould
HD.	Head	MM	Millimeter
H/DUTY	Heavy Duty	MNFLD.	Manifold
HDWE.	Hardware	MPX	Multiplex
HI. ALT.	High Altitude	MSTR.	Master
HSG.	House, Housing	M/T	Manual Transmission
HTR.	Heater	MTG.	Mounting
		MTR	Manually Tuned Radio
IC	Integrated Circuit		
ID	Inside Diameter	N=	Number Of Teeth
IGN.	Ignition	N/A	Not Available
ILLUM.	Illumination, Illuminated	N/B	Notchback
		NO.	Number
INCL	Includes	NORM.	Normal
IND	Indicator	NOV.	November
INFO.	Information		
INST.	Instrument		

ABBREVIATION LIST

ABBREV.	MAY REPLACE	ABBREV.	MAY REPLACE
OCT.	October	SPEC.	Specification
OD	Outer Diameter	SPEEDO.	Speedometer
G/DRIVE	Overdrive	SPG.	Spring
OHC	Overhead Camshaft	SPKR.	Speaker
OPT.	Optional	SPRKT.	Sprocket
O.S.	Oversize	SRS	Supplemental Restraint System
OUT.	Outer	STAB.	Stabilizer
PANSC	Panasonic	STD.	Standard
PARK.	Parking	STRG.	Steering
PB	Parking Brake	S/ROOF	Sunroof
PCV	Positive Crankcase Ventilation	SUSP.	Suspension
PIN.	Pinion	S/W	Station Wagon
PKG	Package	SW.	Switch
PLR	Pillar	SYNC.	Synchronizer
PROD.	Production	T-	Thickness
P/S	Power Steering	TEMP.	Temperature
P/TRIM	Pillar Trim	THERMO.	Thermostat
PTH	Phillips Truss Head	TMG.	Timing
PWR.	Power	T/MISSION	Transmission
QTR.	Quarter	TRK.	Truck
QTY.	Quantity	T/LID	Trunk Lid
(R), RT	Right	T/S	Touring Sedan
RH	Right Hand	TTL	Twin Trapezoidal Links
RAD.	Radiator	TURBO	Turbocharged
REINF.	Reinforcement	UP.	Upper
REG.	Regular	U.S.	Undersize
REGUL.	Regulator	VAC.	Vacuum
REL.	Release	V.G.R.	Variable Gear Ratio
REM.	Remote	VPV	Variable Port Valve
RET.	Return	VNL.	Vinyl
REV.	Reverse	W-	Width
RR.	Rear	W/	With
RWL	Raised White Letters	W/P	Water Pump
S/B	Short Bed	WGN.	Wagon
S/ROD	Shift Rod	WHL.	Wheel
S/S	Supercession	W/O	Without
SDN.	Sedan	WHT.	White
SEP.	September	W/SHIELD	Wind Shield, Screen
SERV.	Service	WTR.	Water
SLND.	Solenoid	W/W	White Walls
SOHC	Single Overhead		

mazda

1986-88 RX-7 ACCESSORIES

AERO

0000-86-325 - Wing Spoiler
F061-V4-920 -OF - Factory Spoiler

AIR CONDITIONER

Refer to Accy. Bulletin XA-1 for Air Conditioner information.

ALARM

0000-88-1901 - Electronic Shock Sensor
Refer to Accy. Bulletin XG-6 for Alarm information.

ARM REST

Refer to Accy. Bulletin XN-1 for replacement parts.

BATTERY

0000-80-126F
Refer to Accy. Bulletin XG-4 for Battery information.

BLOCK HEATER

0000-88-1600
Refer to Accy. Bulletin XG-5 for installation information.

CAR COVER

0000-88-092A - Evolution 3 Blue
0000-88-090 -LK - Lock Kit
Refer to Accy. Bulletin XG-8 for more Car Cover information.

CARGO COVER

FB01-V1-350 -1F - Red
FB01-V1-350 -5F - Blue
FB01-V1-350 -7F - Grey

CIGARETTE LIGHTERS

B001-66-252

CRUISE CONTROL

8AF1-66-340 - Coupe
8AF2-66-340 - Convertible
Refer to Accy. Bulletin XG-7 for more Cruise Control information.

DOOR EDGE GUARDS

0000-88-3199-BK - Black Universal Type

FLOOR MATS

0000-88-7688-05 - Gray Plush Mat
0000-88-7688-11 - Wine Plush Mat
0000-88-7688-50 - Blue Plush Mat
0000-88-7688-TA - 10th Anniversary Edition Mat

FOG LIGHTS

0000-88-500A-R6 - Clear Complete Kit
Refer to Accy. Bulletin XE-4 for Fog Light parts information.

FRONT MASK

0000-88-0588 - GTU, w/o Air Dam

MUD GUARDS

F045-V3-350 -OF - Front Set
F045-V3-351 -OF - Front Left
F045-V3-352 -OF - Front Right
F045-V3-360 -OF - Rear Set
F045-V3-361 -OF - Rear Left
F045-V3-362 -OF - Rear Right

PAINT

Refer to Accy. Bulletin XE-2 for Touch-Up Paint information.

RACKS

0000-88-1077 - Piper Ski Rack
0000-88-1067 - Sport Rack
0000-88-1200 - Ski Attachment
0000-88-1300 - Bike Attachment
0000-88-1400 - Sail/Surf Attachment
0000-88-1500 - Luggage Attachment

STEREO EQUIPMENT

Refer to Accy. Bulletins XS-1, XS-2, and XS-3 for Audio information.

SUNROOF WIND DEFLECTOR

0000-86-3007

TIRES

Refer to Accy. Bulletins XE-1 for Tire information.

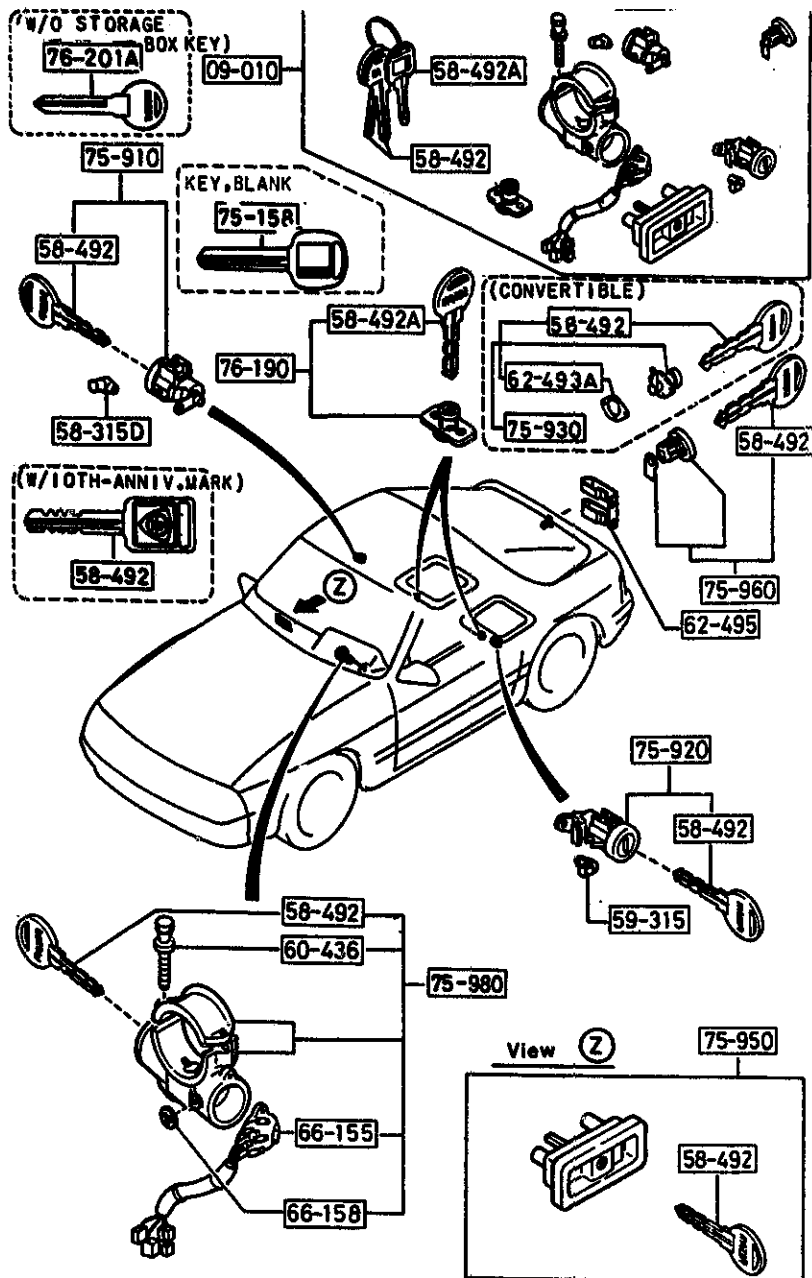
WHEEL LOCKS

0000-88-120C - Wheel Lock Set
0000-88-120C-BP - Lock Blister Pack
Refer to Accy. Bulletin XE-5 for more Wheel Lock information.

SECTION INDEX -- BODY

STARTING LOCATION	SECT. NO.	SECTION NAME	STARTING LOCATION	SECT. NO.	SECTION NAME	STARTING LOCATION	SECT. NO.	SECTION NAME
2 - C 3	9900A	KEY SETS	2 - J 6	5500B	DASHBOARD EQUIPMENTS (CONVERTIBLE)	2 - L14	6230	LIFT GATE MECHANISMS (COUPE)
2 - E 3	5000	FRONT BUMPER	2 - K 6	5520	METER HOOD	2 - N14	6300A	WINDOW GLASSES
2 - F 3	5005	RADIATOR GRILLE	2 - L 6	5530	SPEEDOMETER CABLE	2 - C15	6330	SUNROOF (COUPE)
2 - G 3	5010A	REAR BUMPER	2 - M 6	5540	METER COMPONENTS (COUPE) (W/O ANTI-LOCK BRAKE SYSTEM)	2 - E15	6330A	SOFT TOP (CONVERTIBLE)
2 - H 3	5030A	WINDOW MOULDINGS	2 - C 7	5540A	METER COMPONENTS (COUPE) (ANTI-LOCK BRAKE SYSTEM)	2 - G15	6600B	SWITCHES & RELAYS (ENGINE) (W/O TURBO)
2 - I 3	5040A	BODY MOULDINGS	2 - E 7	5540B	METER COMPONENTS (CONVERTIBLE)	2 - J15	6600BA	SWITCHES & RELAYS (ENGINE) (TURBO)
2 - J 3	5060A	SIDE PROTECTORS	2 - F 7	5560	DASHBOARD & RELATED PARTS	2 - M15	6610	DASHBOARD SWITCHES (MANUAL OPERATING)
2 - K 3	5100	HEAD LAMPS	2 - I 7	5570	CONSOLE	2 - N15	6611	COMBINATION SWITCH
2 - L 3	5103	HEAD LAMP RETRACTORS	2 - K 7	5580	VENTILATOR	2 - C16	6612	CLUSTER SWITCH
2 - M 3	5105	FRONT COMBINATION LAMPS	2 - C 8	5700A	FRONT SEATS (COUPE)	2 - D16	6615	POWER WINDOW SWITCHES
2 - C 4	5110A	REAR COMBINATION LAMPS	2 - C 9	5700AA	FRONT SEATS (COUPE) (LEATHER)	2 - E16	6620	DOOR SWITCH
2 - E 4	5120	LICENSE LAMPS	2 - C10	5700AB	FRONT SEATS (CONVERTIBLE) (CLOTH)	2 - F16	6630	RELAYS & CPU (BODY)
2 - F 4	5125	INTERIOR LAMPS	2 - F10	5700AC	FRONT SEATS (CONVERTIBLE) (LEATHER)	2 - G16	6635	HORNS
2 - G 4	5130	OVERHEAD CONSOLE (COUPE)	2 - J10	5750A	REAR SEATS (CLOTH)	2 - H16	6640	AUTO CRUISE CONTROL SYSTEM
2 - H 4	5170	ORNAMENTS	2 - C11	5750AA	REAR SEATS (LEATHER)	2 - I16	6680	AUDIO SYSTEMS (RADIO & TAPE DECK)
2 - I 4	5180	COWL & EXTRACTOR GILLES	2 - H11	5790A	SEAT BELTS			
2 - K 4	5230	HOOD	2 - J11	5800A	FRONT DOORS (COUPE)			
2 - L 4	5260	TRUNK LID (CONVERTIBLE)	2 - K11	5800AA	FRONT DOORS (CONVERTIBLE)			
2 - M 4	5310	BODY PANELS (FRONT) (COUPE)	2 - C12	5830A	FRONT DOOR MECHANISMS (COUPE)			
2 - N 4	5310A	BODY PANELS (FRONT) (CONVERTIBLE)	2 - H12	5830AA	FRONT DOOR MECHANISMS (CONVERTIBLE)			
2 - C 5	5320	BODY PANELS (FENDER & WHEEL APRON) (COUPE)	2 - C13	5840A	FRONT DOOR TRIMS & RELATED PARTS (COUPE)			
2 - D 5	5320B	BODY PANELS (FENDER & WHEEL APRON) (CONVERTIBLE)	2 - K13	5840AB	FRONT DOOR TRIMS & RELATED PARTS (CONVERTIBLE)			
2 - E 5	5330	BODY PANELS (DASH & COWL PANEL)	2 - N13	6100	HEATER			
2 - F 5	5340A	BODY PANELS (SIDE) (COUPE)	2 - C14	6110	HEATER UNIT COMPONENTS			
2 - H 5	5340AA	BODY PANELS (SIDE) (CONVERTIBLE)	2 - D14	6115	HEATER CONTROLS COMPONENTS			
2 - K 5	5360A	BODY PANELS (ROOF) (COUPE)	2 - E14	6120	HEATER BLOWER COMPONENTS			
2 - L 5	5370	BODY PANELS (FLOOR) (COUPE)	2 - F14	6130	AIR CONDITIONER (W/O AIR CONDITIONER)			
2 - M 5	5370A	BODY PANELS (FLOOR) (CONVERTIBLE)	2 - G14	6132A	CONDENSER PACKAGE			
2 - C 6	5390	FLOOR ATTACHMENTS (COUPE)	2 - I14	6142A	COMPRESSOR MOUNTING KIT, COMPRESSOR/CLUTCH ASSEMBLY & REPAIR PARTS			
2 - E 6	5390A	FLOOR ATTACHMENTS (CONVERTIBLE)	2 - J14	6152A	EVAPORATOR PACKAGE			
2 - G 6	5500	DASHBOARD EQUIPMENTS (COUPE) (W/O ANTI-LOCK BRAKE SYSTEM)	2 - K14	6200	LIFT GATE			
2 - I 6	5500A	DASHBOARD EQUIPMENTS (COUPE) (ANTI-LOCK BRAKE SYSTEM)						

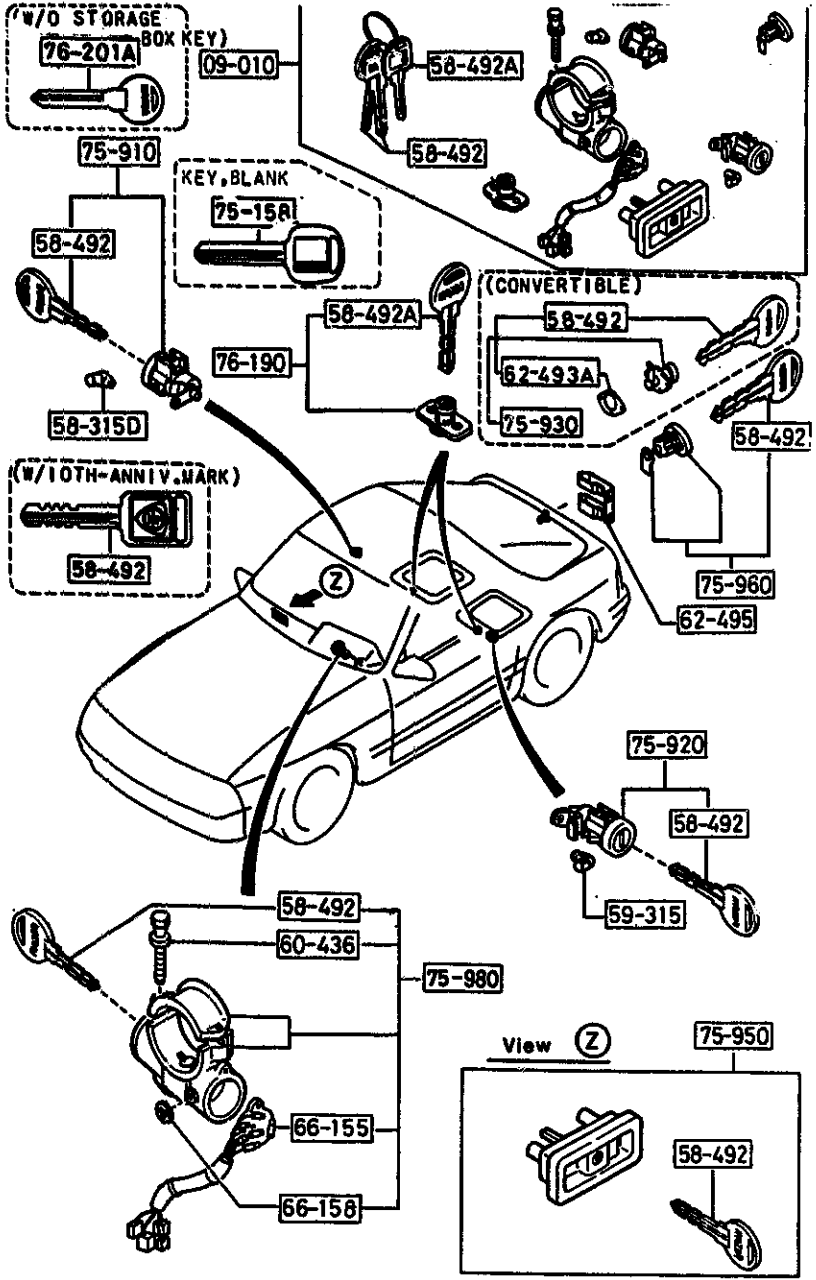
0900A-1 KEY SETS



ITEM NO.	D-CODE	DESCRIPTION	PART NO.	QTY	MODEL/DESCRIPTION	REMARKS
09 010		KEY SET	FB67-09-010B	1		
		DARK GRAY	07			
		BLUE	48			
		DARK GRAY	FB68-09-010B	1	CONV.	
		BLUE	07			
		BLUE	48			
		DARK GRAY	FB01-09-010C	1	COUPE W/O STORAGE BOX	
		RED	07			
		BLUE	10			
		BLUE	48			
		DARK GRAY	FB02-09-010C	1	COUPE W/ STORAGE BOX	
		RED	07			
		BLUE	10			
		BLUE	48			
58 315D		CLIP (R)	G030-58-315	1	COUPE	
				2	CONV.	
58 492		KEY, PRIMARY	HA43-76-201A	2	KEY NO. REQUIRED	
58 492A		KEY, SECONDARY	HA43-76-202	1	KEY NO. REQUIRED	
		REFER TO PARTS BULL. NO. A-2-4 FOR MORE KEY INFO.				
59 315		CLIP	G030-59-315	1		
60 436		BOLT, SET	HD43-66-154	2		
62 493A		GASKET, KEY CYLINDER	FB67-56-904	1	CONV.	
62 495		RETAINER, LOCK CYLINDER	FB01-62-495	1	COUPE	
66 155		SWITCH, IGNITION	FB01-66-151	1		
66 158		NUT, SPEED-STEERING LOCK	BC46-66-158	2		
75 158		KEY, BLANK	HA43-76-202	1		
75 910		KEY SUB SET (R), DOOR	FB01-76-210B	1		
75 920		KEY SUB SET (L), DOOR	FB01-76-220B	1		
75 930		KEY SUB SET, TRUNK	FB68-76-230	1	CONV.	
75 950		KEY SUB SET, GLOVE	FB01-76-250	1		-7701
		DARK GRAY	07			
		RED	10			
		BLUE	48			
		DARK GRAY	FB02-76-250	1		7701-
		RED	07			
		BLUE	10			
		BLUE	48			
75 960		KEY SUB SET, LIFT GATE	FB01-76-260	1		
75 980		KEY SUB SET, IGNITION SWITCH	FB01-76-290	1		

7701 FC33* -550169

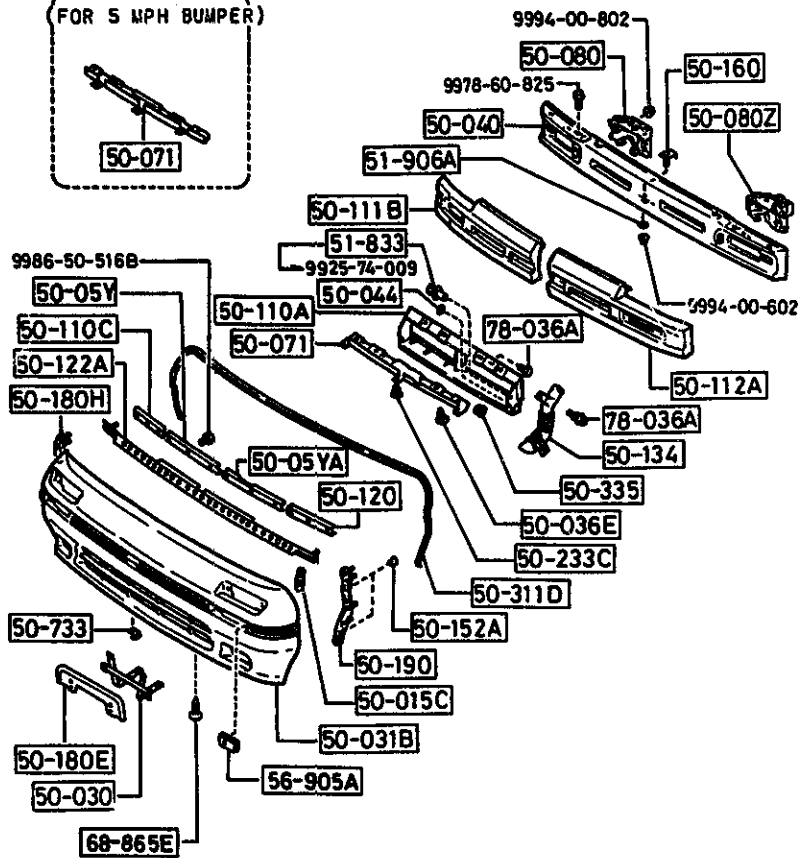
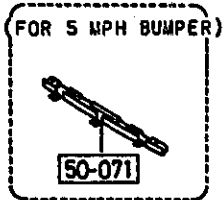
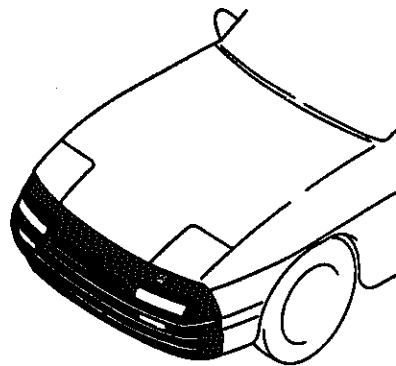
0900A-2 KEY SETS



ITEM NO.	D-CODE	DESCRIPTION	PART NO.	QTY	MODEL/DESCRIPTION	REMARKS
76 190		KEY SUB SET, STORAGE	FB02-76-190	1	W/ STORAGE BOX	
76 202		KEY, BLANK-SECONDARY	HA43-76-201A	1		6901-

6901 FC33* -512255

5000-1 FRONT BUMPER

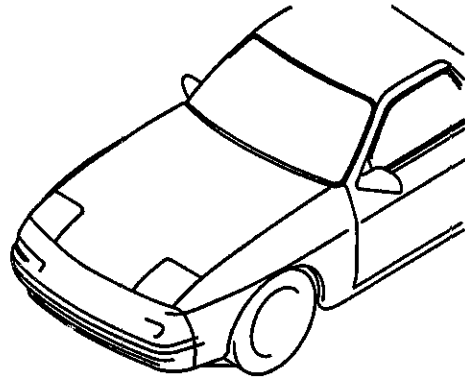


ITEM NO.	D-CODE	DESCRIPTION	PART NO.	QTY	MODEL/DESCRIPTION	REMARKS
50 015C		BOLT	FB01-50-054	2		
50 030		HOLDER, LICENSE PLATE	FB01-50-140	1		
50 031B		FASCIA, FRONT	FB01-50-031C	1		
50 036E		CLIP	FB01-50-072	4		
50 040		REINFORCEMENT, BUMPER	FB01-50-151	1		
50 044		WASHER	FB01-50-135	2		6801-
50 05Y		PLATE (R), SET-FRONT FASCIA	FB01-50-05Y	1		
50 05YA		PLATE (L), SET-FRONT FASCIA	FB01-50-06Y	1		
50 071		PLATE, SEAL-FRONT BUMPER	FB01-50-071	1		
50 080		STAY (R), FRONT BUMPER	FB01-50-080A	1		
50 080Z		STAY (L), FRONT BUMPER	FB01-50-090A	1		
50 110A		BRACKET, BUMPER	FB01-50-131A	1		
50 110C		PLATE (R), SET-FRONT BUMPER	FB01-50-110	1		
50 111B		FOAM (R), ENERGY ABSORBER-FRONT BUMPER	FB01-50-171	1		
50 112A		FOAM (L), ENERGY ABSORBER-FRONT BUMPER	FB01-50-172	1		
50 120		PLATE (L), SET-FRONT BUMPER	FB01-50-120	1		
50 122A		RETAINER, FRONT BUMPER	FB01-50-050A	1		
50 134		DUCT 'A', AIR-FRONT	FB01-50-134	1		
50 152A		CLIP	FB01-50-184	8		
50 160		BRACKET, REINFORCEMENT-FRONT BUMPER	FB01-50-160	2		
50 180E		PROTECTOR, LICENSE	FB01-50-144	1		
50 180H		PLATE (R), SET-FRONT BUMPER	FB01-50-180	1		
50 190		PLATE (L), SET-FRONT BUMPER	FB01-50-190	1		
50 233C		FASTENER, REAR BUMPER	BF82-50-233	3		
50 311D		RIBBON, FRONT BUMPER	FB01-50-311	1		
50 335		NUT, CLIP	FB01-50-133	4		
50 733		NUT, SPRING-AIR DAM SKIRT	FB01-50-733	13		
51 833		RIVET, SPLASH SHIELD	8092-51-833	2		-SA01
51 906A		WASHER, ROOF MOULDING	S232-51-906	2		5A01-
56 905A		NUT, SPRING	0820-56-905	4		
68 865E		FASTENER	S049-68-865	2		
		BLACK	00			
		GRAY	09			
		RED	10			
		BLUE	48			
78 036A		BOLT	FB01-50-132	5		

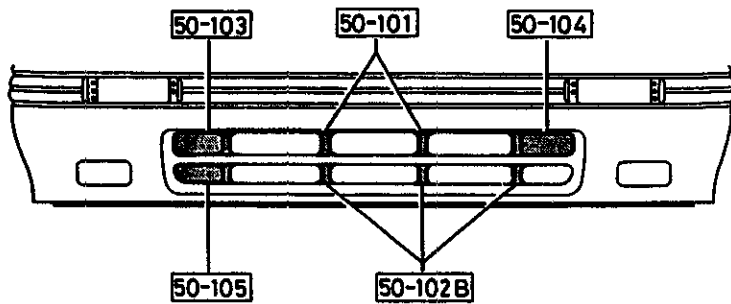
5A01 FC33* -107570
 6B01 FC33* -522333

5005-1

RADIATOR GRILLE



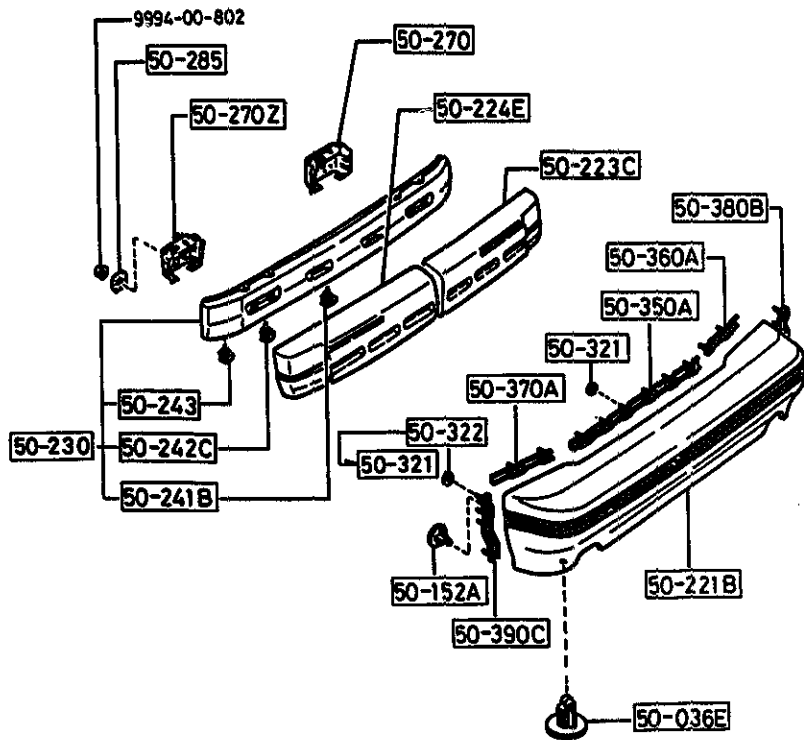
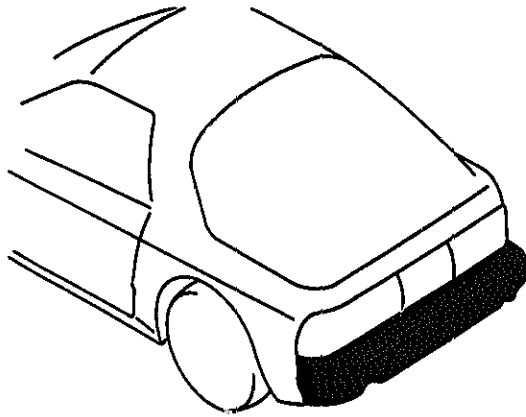
(A) →



View (A)

ITEM NO.	D-CODE	DESCRIPTION	PART NO.	QTY	MODEL/DESCRIPTION	REMARKS
50 101		COVER NO. 1, RADIATOR GRILLE	FB01-50-101	2		
50 102B		COVER NO. 2, RADIATOR GRILLE	FB01-50-102	3		
50 103		COVER NO. 3, RADIATOR GRILLE	FB01-50-103	1		
50 104		COVER NO. 4, RADIATOR GRILLE	FB01-50-104	1		
50 105		COVER NO. 5, RADIATOR GRILLE	FB01-50-105	1		

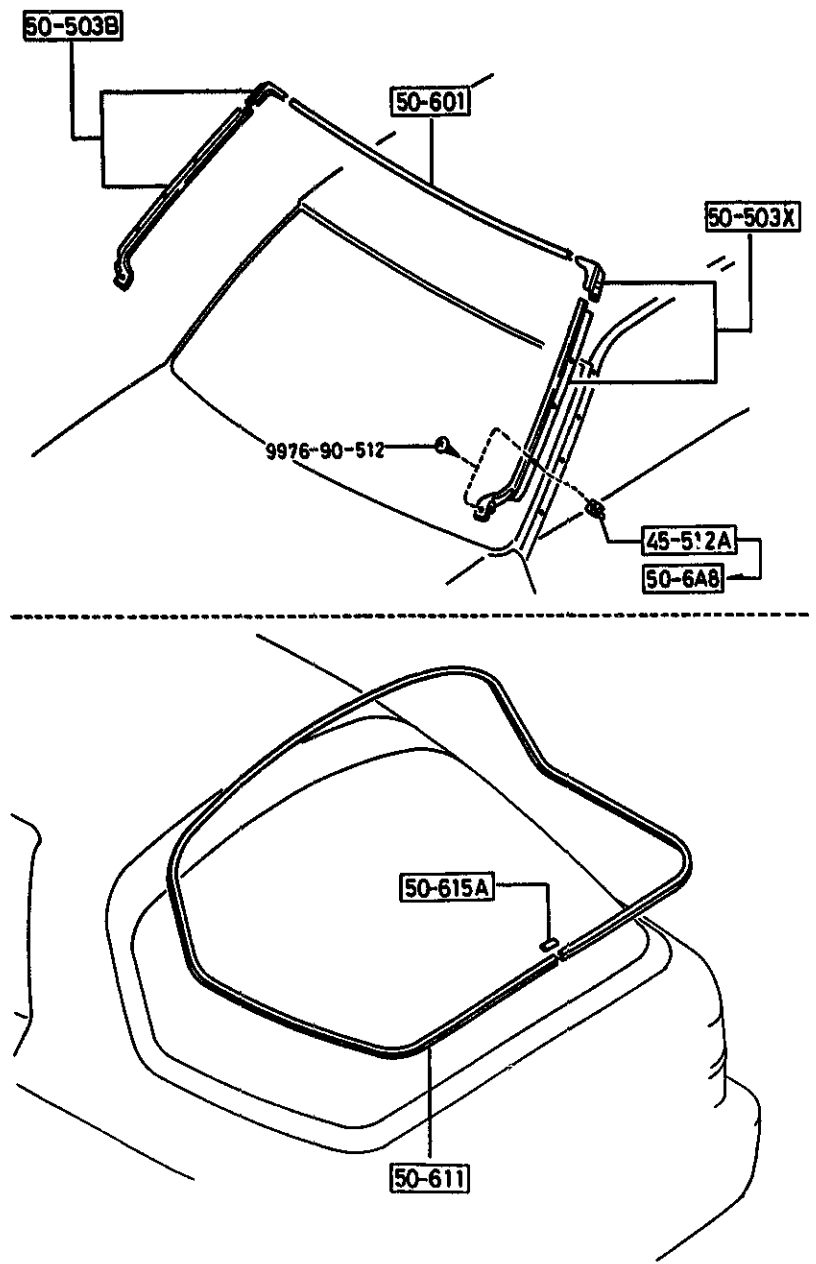
5010A-1 REAR BUMPER



ITEM NO.	D-CODE	DESCRIPTION	PART NO.	QTY	MODEL/DESCRIPTION	REMARKS
50 036E		CLIP	FB01-50-072	6		
50 152A		CLIP	3597-50-152	10		
50 221B		FACE, REAR BUMPER	FB01-50-221	1		
50 223C		FOAM (R), ENERGY ABSORBER-REAR BUMPER	FB01-50-341	1		
50 224E		FOAM (L), ENERGY ABSORBER-REAR BUMPER	FB01-50-342	1		
50 230		REINFORCEMENT, BUMPER	FB01-50-330B	1		
50 270		STAY (R), REAR BUMPER	FB01-50-280	1		
50 270Z		STAY (L), REAR BUMPER	FB01-50-290	1		
50 285		GASKET, SEAL	G030-50-285	2		
50 321		GASKET 'A', REAR BUMPER	FB01-50-321	10		-5901
				12		5901-
50 322		GASKET 'B', REAR BUMPER	FB01-50-322	2		-5901
50 350A		PLATE (C), SET-REAR BUMPER	FB01-50-350	1		
50 360A		PLATE (R), SET-REAR BUMPER	FB01-50-360	1		
50 370A		PLATE (L), SET-REAR BUMPER	FB01-50-370	1		
50 380B		PLATE (R), SET-REAR BUMPER	FB01-50-380	1		
50 390C		PLATE (L), SET-REAR BUMPER	FB01-50-390	1		

5901 FC33* -102044

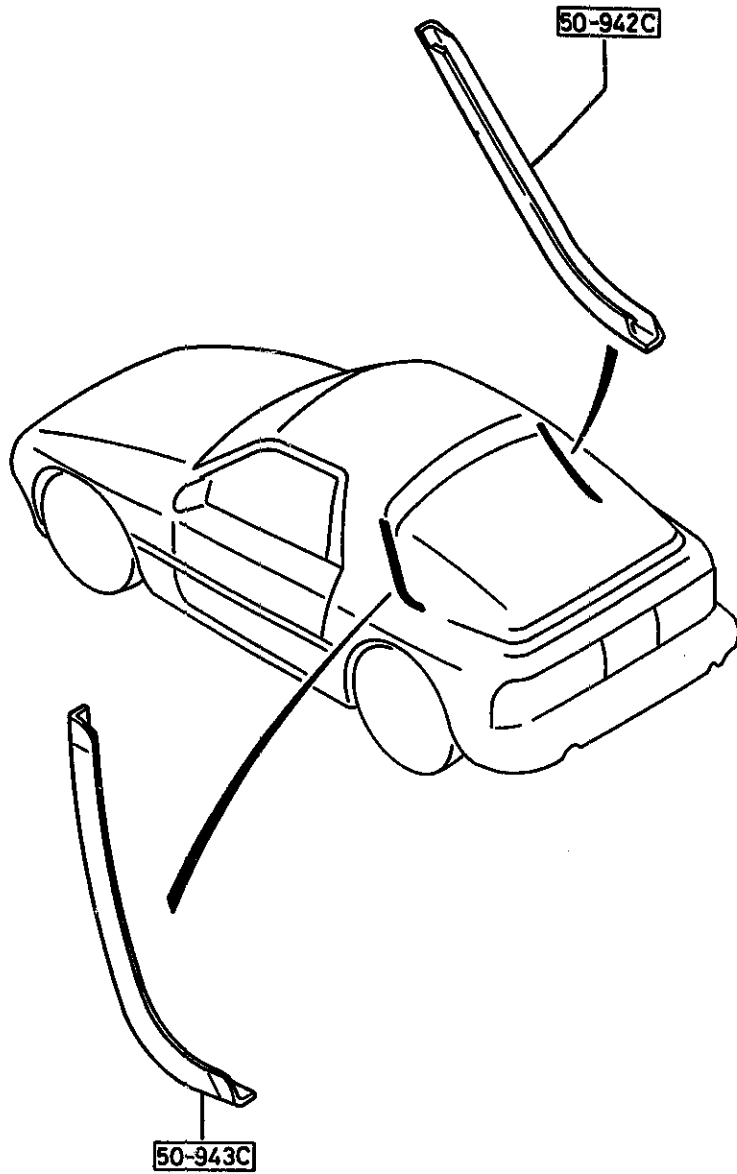
5030A-1 WINDOW MOULDINGS



ITEM NO.	D-CODE	DESCRIPTION	PART NO.	QTY	MODEL/DESCRIPTION	REMARKS
45 512A		GROMMET, SCREW	WA01-45-512	8		-5B18
50 503B		MOULDING SET (R), FRONT SIDE	BAF1-50-860	1		
50 503X		MOULDING SET (L), FRONT SIDE	BAF1-50-870	1		
50 601		MOULDING, WINDOW-FRONT	FB01-50-601A	1		
50 611		MOULDING, REAR WINDOW	FB01-50-611B	1	COUPE	-7701
		< A >	FB01-50-611C	1	COUPE	7701-
50 615A		JOINT, BACK WIND MOULDING	FB01-50-615B	1	COUPE	-7701
			FB01-50-615C	1	COUPE	7701-
50 6A8		GROMMET, SCREW-FRONT WINDOW MLDG.	FB01-50-6A8	8		5B18-

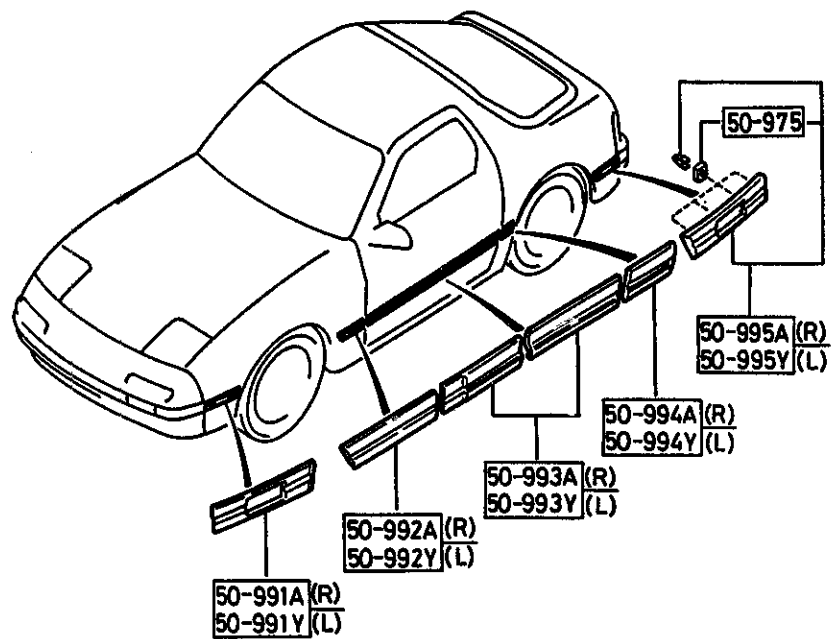
5B18 FC33* -116564
 7701 FC33* -550169

5040A-1 BODY MOULDINGS



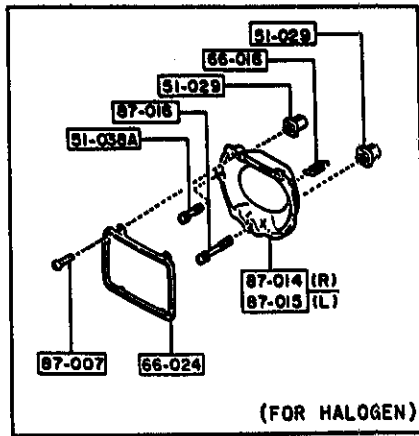
ITEM NO.	D-CODE	DESCRIPTION	PART NO.	QTY	MODEL/DESCRIPTION	REMARKS
	50 942C	MOULDING (R), REAR	FB01-50-942A	1	COUPE REGULAR TYPE	
			FB01-75-942	1	COUPE RAIN TYPE	
	50 943C	MOULDING (L), REAR	FB01-50-943A	1	COUPE REGULAR TYPE	
			FB01-75-943	1	COUPE RAIN TYPE	

5060A-1 SIDE PROTECTORS

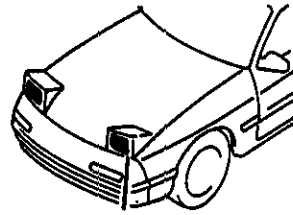
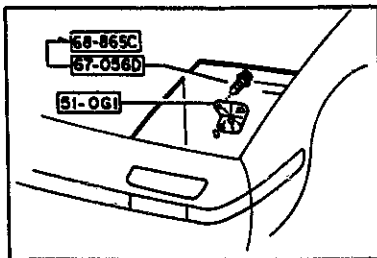
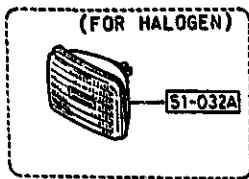


ITEM NO.	D-CODE	DESCRIPTION	PART NO.	QTY	MODEL/DESCRIPTION	REMARKS
50 975		GASKET	FB01-50-945	8		
50 991A		PROTECTOR 'A' (R), SIDE	FB01-50-910	1		
50 991Y		PROTECTOR 'A' (L), SIDE	FB01-50-920	1		
50 992A		PROTECTOR 'B' (R), SIDE	FB02-50-681	1		
50 992Y		PROTECTOR 'B' (L), SIDE	FB02-50-691	1		
50 993A		PROTECTOR 'C' (R), SIDE	FB02-50-682	1		
50 993Y		PROTECTOR 'C' (L), SIDE	FB02-50-692	1		
50 994A		PROTECTOR 'D' (R), SIDE	FB02-50-683	1		
50 994Y		PROTECTOR 'D' (L), SIDE	FB02-50-693	1		
50 995A		PROTECTOR 'E' (R), SIDE	FB01-50-930	1		
50 995Y		PROTECTOR 'E' (L), SIDE	FB01-50-940	1		

5100-1 HEAD LAMPS

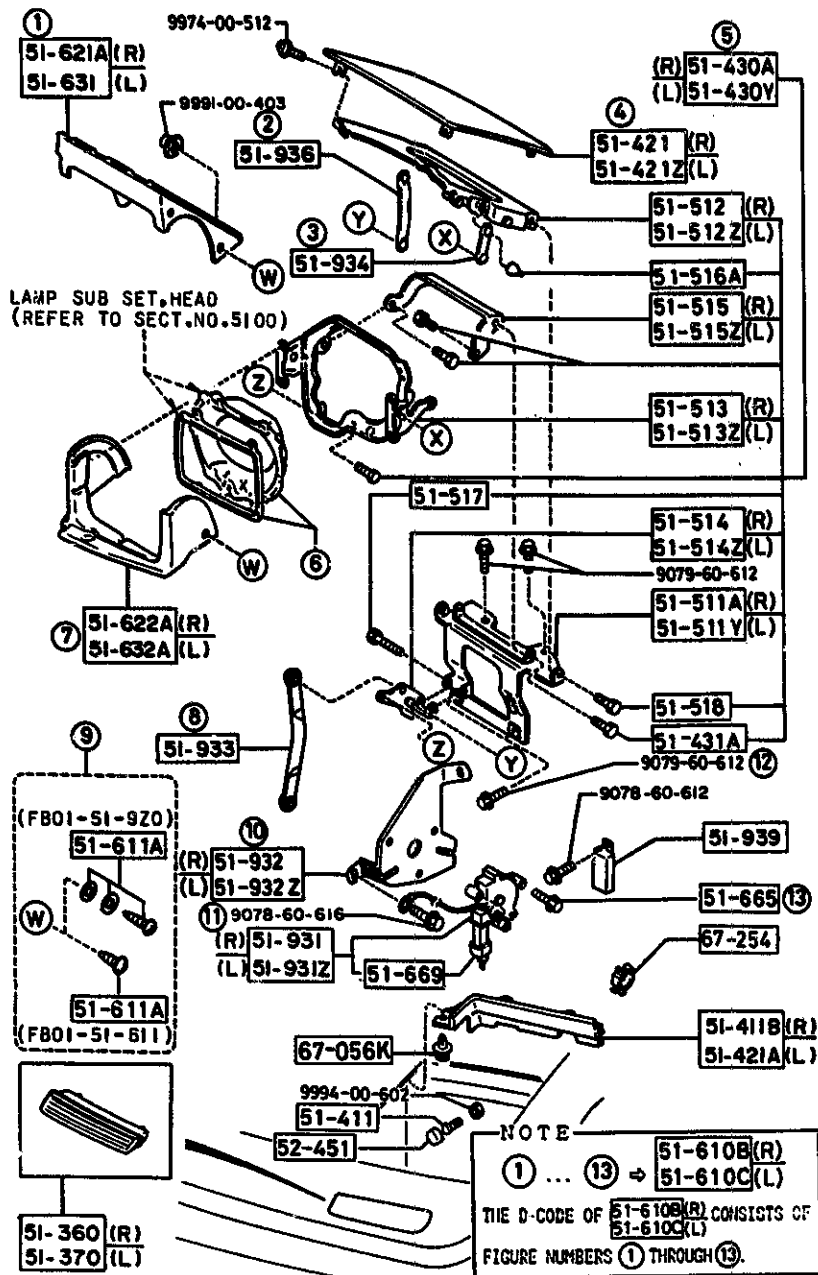


(R) 91-031A
(L) 91-031Y



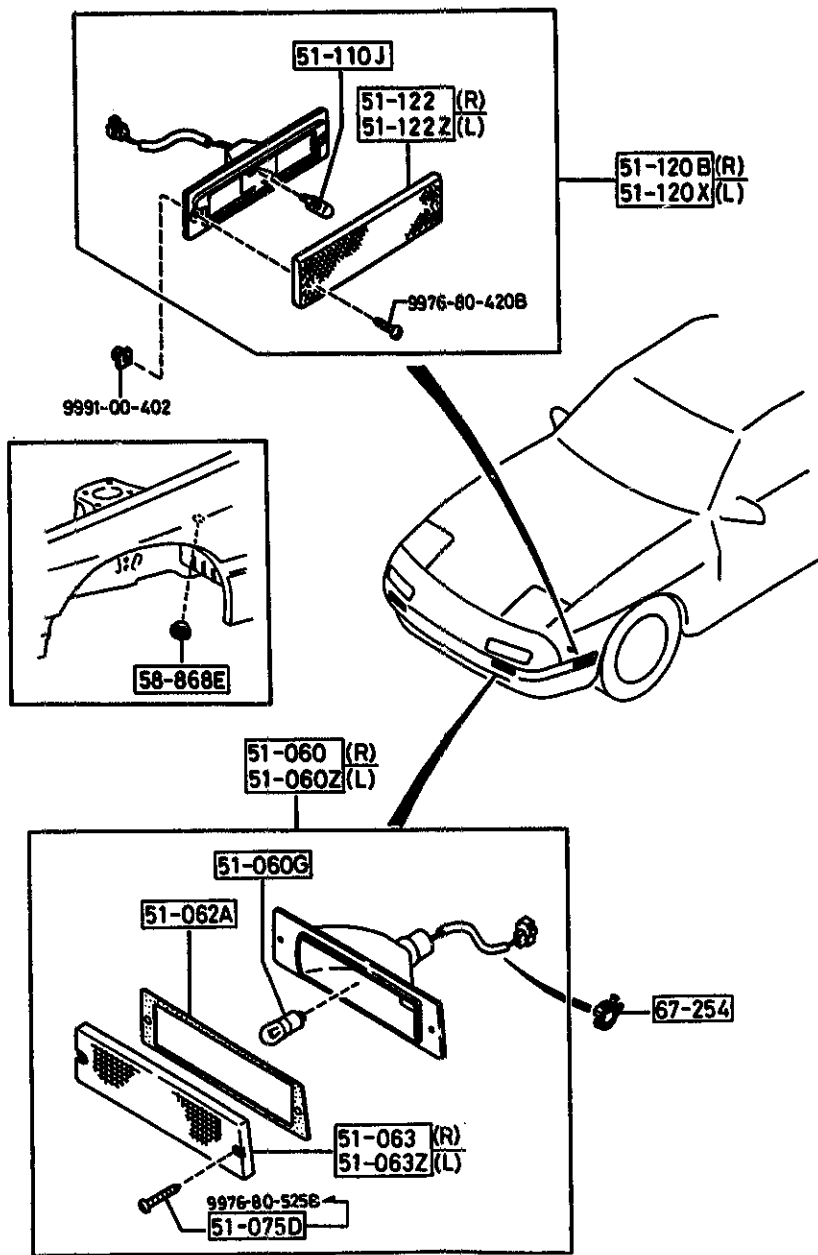
ITEM NO.	D-CODE	DESCRIPTION	PART NO.	QTY	MODEL/DESCRIPTION	REMARKS	
51 029		GROMMET, SCREW	0483-66-061A	4			
51 031A		LAMP SUB SET (R), HEAD	88F1-51-032	1	HALOGEN		
51 031Y		LAMP SUB SET (L), HEAD	88F1-51-042	1	HALOGEN		
51 032A		UNIT, HEAD LAMP	0000-11-6054-HP	2	HALOGEN		
51 038A		SCREW, ADJUST	FB01-51-047	2			
51 0G1		COVER, SEAL-SHROUD	FB01-51-0G1	2			
66 016		SPRING, ADJUST	FB01-51-036	2			
66 024		RING, RETAINING	BA03-51-033	2			
67 056D		RIVET	W023-67-056	6			
84 851A		BEAM, SEALED	0000-11-6052	2			
87 007		SCREW	8239-51-035	8			
87 014		RING (R) MOUNTING	FB01-51-032	1			
87 015		RING (L) MOUNTING	FB01-51-042	1			
87 016		SCREW, ADJUST	FB01-51-037	2			
		REFER TO ACC. BULL. NO. XE-4 FOR FOG & DRIVING LIGHTS INFO.					

5103-1 HEAD LAMP RETRACTORS



ITEM NO.	D-CODE	DESCRIPTION	PART NO.	QTY	MODEL/DESCRIPTION	REMARKS
51 360		COVER (R), PASSING HOLE	FB01-51-360B	1		
51 370		COVER (L), PASSING HOLE	FB01-51-370B	1		
51 411		SCREW, STOPPER	8871-51-411	2		
51 411B		PROTECTOR (R), RETRACTABLE	FB01-51-411A	1		
51 421		LID (R), LAMP	FB01-51-623	1		
51 421A		PROTECTOR (L), RETRACTABLE	FB01-51-421A	1		
51 421Z		LID (L), LAMP	FB01-51-633	1		
51 430A		HINGE (R), LID-LAMP	FB01-51-510F	1		
51 430Y		HINGE (L), LID-LAMP	FB01-51-520F	1		
51 431A		BOLT, HINGE	HD01-51-511	10		
51 511A		BRACKET (R), HINGE-LAMP LID	FB01-51-511	1		
51 511Y		BRACKET (L), HINGE-LAMP LID	FB01-51-521	1		
51 512		FRAME (R), LAMP LID	FB01-51-512	1		
51 512Z		FRAME (L), LAMP LID	FB01-51-522	1		
51 513		HOUSING (R), LAMP-LID HINGE	FB01-51-513D	1		
51 513Z		HOUSING (L), LAMP-LID HINGE	FB01-51-523D	1		
51 514		ARM (R), LOWER-LID HINGE	FB01-51-514	1		
51 514Z		ARM (L), LOWER-LID HINGE	FB01-51-524	1		
51 515		ARM (R), UPPER-LID HINGE	FB01-51-515	1		
51 515Z		ARM (L), UPPER-LID HINGE	FB01-51-525	1		
51 516A		CAP, HINGE-HEAD LAMP RETRACTABLE	FB01-51-516	10		
51 517		BOLT, HINGE-HEAD LAMP RETRACTABLE	FB01-51-517	2		
51 518		BOLT, HINGE-HEAD LAMP RETRACTABLE	FB01-51-518	4		
51 611A		SCREW, HEAD LAMP BEZEL	FB01-51-611	12		
51 621A		BEZEL (R), HEAD LAMP-UPPER	FB01-51-621A	1		
51 622A		BEZEL (R), HEAD LAMP-LOWER	FB01-51-622A	1		
51 631		BEZEL (L), HEAD LAMP-UPPER	FB01-51-631A	1		
51 632A		BEZEL (L), HEAD LAMP-LOWER	FB01-51-632A	1		
51 931		MOTOR (R)	FB01-51-66X	1	W/ RELAY	
51 931Z		MOTOR (L)	FB01-51-67X	1	W/ RELAY	
51 932		BRACKET (R)	FB01-51-662A	1		
51 932Z		BRACKET (L)	FB01-51-672A	1		
51 933		ROD, MOTOR	FB01-51-664A	2		
51 934		ROD 'A'	FB01-51-651A	2		
51 936		ROD 'B'	FB01-51-652A	2		
51 939		RELAY	FB01-51-663	2		
52 451		CUSHION	0866-52-451	2		
67 056K		RIVET	UB39-50-795	6		
67 254		CLIP, CABLE	S113-67-254A	2		

5105-1 FRONT COMBINATION LAMPS

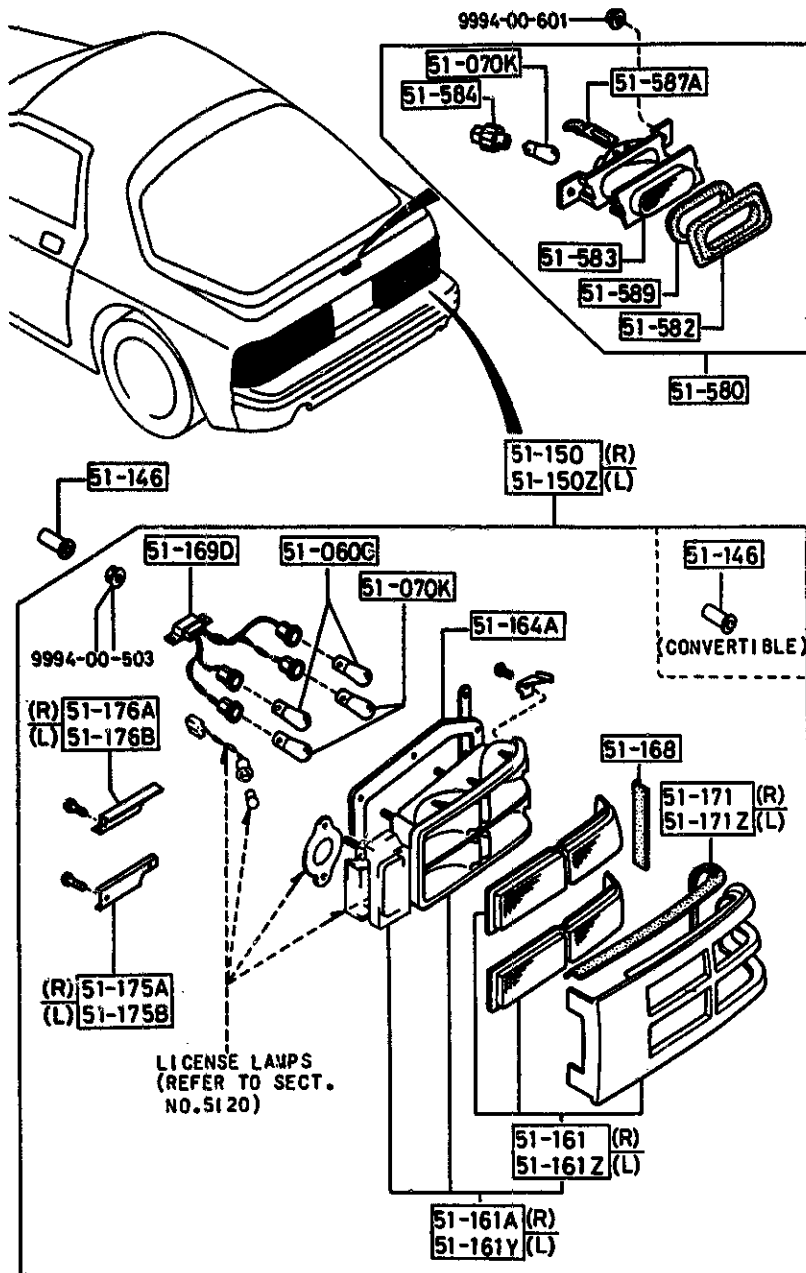


ITEM NO.	D-CODE	DESCRIPTION	PART NO.	QTY	MODEL/DESCRIPTION	REMARKS
51 060		LAMP SET (R), FRONT COMBINATION	8BF1-51-060A	1		
51 060G		BULB	9970-14-278	2	12V 27W/8W	
51 060Z		LAMP SET (L), FRONT COMBINATION	8BF1-51-070A	1		
51 062A		GASKET, FRONT COMBINATION	F801-51-063	2		
51 063		LENS (R), FRONT COMBINATION	F801-51-061	1		
51 063Z		LENS (L), FRONT COMBINATION	F801-51-071	1		
51 075D		SCREW, TAPPING	G031-51-075	4		
51 110J		BULB	0000-11-0194	2	12V 3.8W	
51 120B		LAMP SET (R), SIDE TURN	8BF1-51-120	1		
51 120X		LAMP SET (L), SIDE TURN	8BF1-51-130	1		
51 122		LENS (R), SIDE TURN	F801-51-123	1		
51 122Z		LENS (L), SIDE TURN	F801-51-133	1		
58 868E		PLUG, SERVICE COVER	0559-58-868	2		
67 254		CLIP, CABLE	5113-67-254A	2		

SECTION INDEX -- BODY

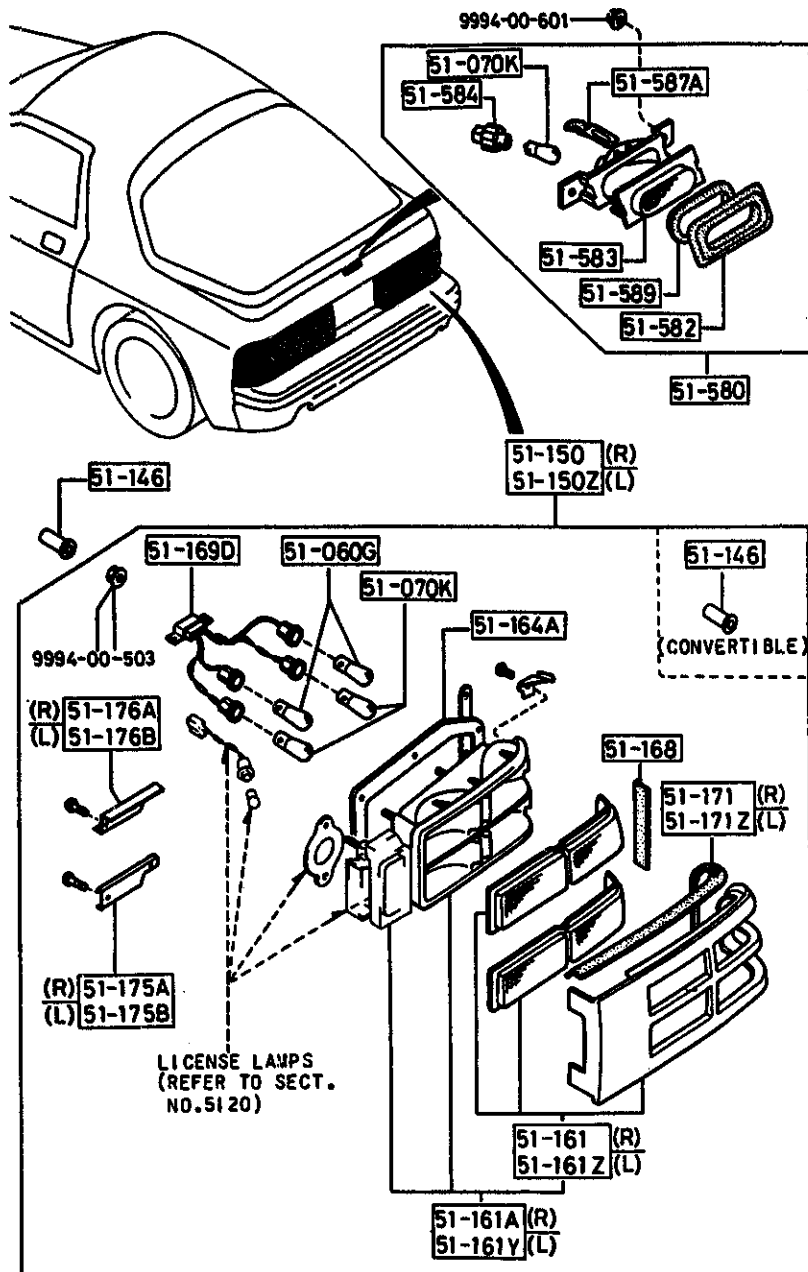
STARTING LOCATION	SECT. NO.	SECTION NAME	STARTING LOCATION	SECT. NO.	SECTION NAME	STARTING LOCATION	SECT. NO.	SECTION NAME
2 - C 3	0900A	KEY SETS	2 - J 6	5500B	DASHBOARD EQUIPMENTS (CONVERTIBLE)	2 - L14	6230	LIFT GATE MECHANISMS (COUPE)
2 - E 3	5000	FRONT BUMPER	2 - K 6	5520	METER HOOD	2 - N14	6300A	WINDOW GLASSES
2 - F 3	5005	RADIATOR GRILLE	2 - L 6	5530	SPEEDOMETER CABLE	2 - C15	6330	SUNROOF (COUPE)
2 - G 3	5010A	REAR BUMPER	2 - M 6	5540	METER COMPONENTS (COUPE) (W/O ANTI-LOCK BRAKE SYSTEM)	2 - E15	6330A	SOFT TOP (CONVERTIBLE)
2 - H 3	5030A	WINDOW MOULDINGS	2 - C 7	5540A	METER COMPONENTS (COUPE) (ANTI-LOCK BRAKE SYSTEM)	2 - G15	6600B	SWITCHES & RELAYS (ENGINE) (W/O TURBO)
2 - I 3	5040A	BODY MOULDINGS	2 - E 7	5540B	METER COMPONENTS (CONVERTIBLE)	2 - J15	6600BA	SWITCHES & RELAYS (ENGINE) (TURBO)
2 - J 3	5060A	SIDE PROTECTORS	2 - F 7	5560	DASHBOARD & RELATED PARTS	2 - M15	6610	DASHBOARD SWITCHES (MANUAL OPERATING)
2 - K 3	5100	HEAD LAMPS	2 - I 7	5570	CONSOLE	2 - N15	6611	COMBINATION SWITCH
2 - L 3	5103	HEAD LAMP RETRACTORS	2 - K 7	5580	VENTILATOR	2 - C16	6612	CLUSTER SWITCH
2 - M 3	5105	FRONT COMBINATION LAMPS	2 - C 8	5700A	FRONT SEATS (COUPE)	2 - D16	6615	POWER WINDOW SWITCHES
2 - C 4	5110A	REAR COMBINATION LAMPS	2 - C 9	5700AA	FRONT SEATS (COUPE) (LEATHER)	2 - E16	6620	DOOR SWITCH
2 - E 4	5120	LICENSE LAMPS	2 - C10	5700AB	FRONT SEATS (CONVERTIBLE) (CLOTH)	2 - F16	6630	RELAYS & CPU (BODY)
2 - F 4	5125	INTERIOR LAMPS	2 - F10	5700AC	FRONT SEATS (CONVERTIBLE) (LEATHER)	2 - G16	6635	HORNS
2 - G 4	5130	OVERHEAD CONSOLE (COUPE)	2 - J10	5750A	REAR SEATS (CLOTH)	2 - H16	6640	AUTO CRUISE CONTROL SYSTEM
2 - H 4	5170	ORNAMENTS	2 - C11	5750AA	REAR SEATS (LEATHER)	2 - I16	6680	AUDIO SYSTEMS (RADIO & TAPE DECK)
2 - I 4	5180	COWL & EXTRACTOR GILLES	2 - H11	5790A	SEAT BELTS			
2 - K 4	5230	HOOD	2 - J11	5800A	FRONT DOORS (COUPE)			
2 - L 4	5260	TRUNK LID (CONVERTIBLE)	2 - K11	5800AA	FRONT DOORS (CONVERTIBLE)			
2 - M 4	5310	BODY PANELS (FRONT) (COUPE)	2 - C12	5830A	FRONT DOOR MECHANISMS (COUPE)			
2 - N 4	5310A	BODY PANELS (FRONT) (CONVERTIBLE)	2 - H12	5830AA	FRONT DOOR MECHANISMS (CONVERTIBLE)			
2 - C 5	5320	BODY PANELS (FENDER & WHEEL APRON) (COUPE)	2 - C13	5840A	FRONT DOOR TRIMS & RELATED PARTS (COUPE)			
2 - D 5	5320B	BODY PANELS (FENDER & WHEEL APRON) (CONVERTIBLE)	2 - K13	5840AB	FRONT DOOR TRIMS & RELATED PARTS (CONVERTIBLE)			
2 - E 5	5330	BODY PANELS (DASH & COWL PANEL)	2 - N13	6100	HEATER			
2 - F 5	5340A	BODY PANELS (SIDE) (COUPE)	2 - C14	6110	HEATER UNIT COMPONENTS			
2 - H 5	5340AA	BODY PANELS (SIDE) (CONVERTIBLE)	2 - D14	6115	HEATER CONTROLS COMPONENTS			
2 - K 5	5360A	BODY PANELS (ROOF) (COUPE)	2 - E14	6120	HEATER BLOWER COMPONENTS			
2 - L 5	5370	BODY PANELS (FLOOR) (COUPE)	2 - F14	6130	AIR CONDITIONER (W/O AIR CONDITIONER)			
2 - M 5	5370A	BODY PANELS (FLOOR) (CONVERTIBLE)	2 - G14	6132A	CONDENSER PACKAGE			
2 - C 6	5390	FLOOR ATTACHMENTS (COUPE)	2 - I14	6142A	COMPRESSOR MOUNTING KIT, COMPRESSOR/CLUTCH ASSEMBLY & REPAIR PARTS			
2 - E 6	5390A	FLOOR ATTACHMENTS (CONVERTIBLE)	2 - J14	6152A	EVAPORATOR PACKAGE			
2 - G 6	5500	DASHBOARD EQUIPMENTS (COUPE) (W/O ANTI-LOCK BRAKE SYSTEM)	2 - K14	6200	LIFT GATE			
2 - I 6	5500A	DASHBOARD EQUIPMENTS (COUPE) (ANTI-LOCK BRAKE SYSTEM)						

5110A-1 REAR COMBINATION LAMPS



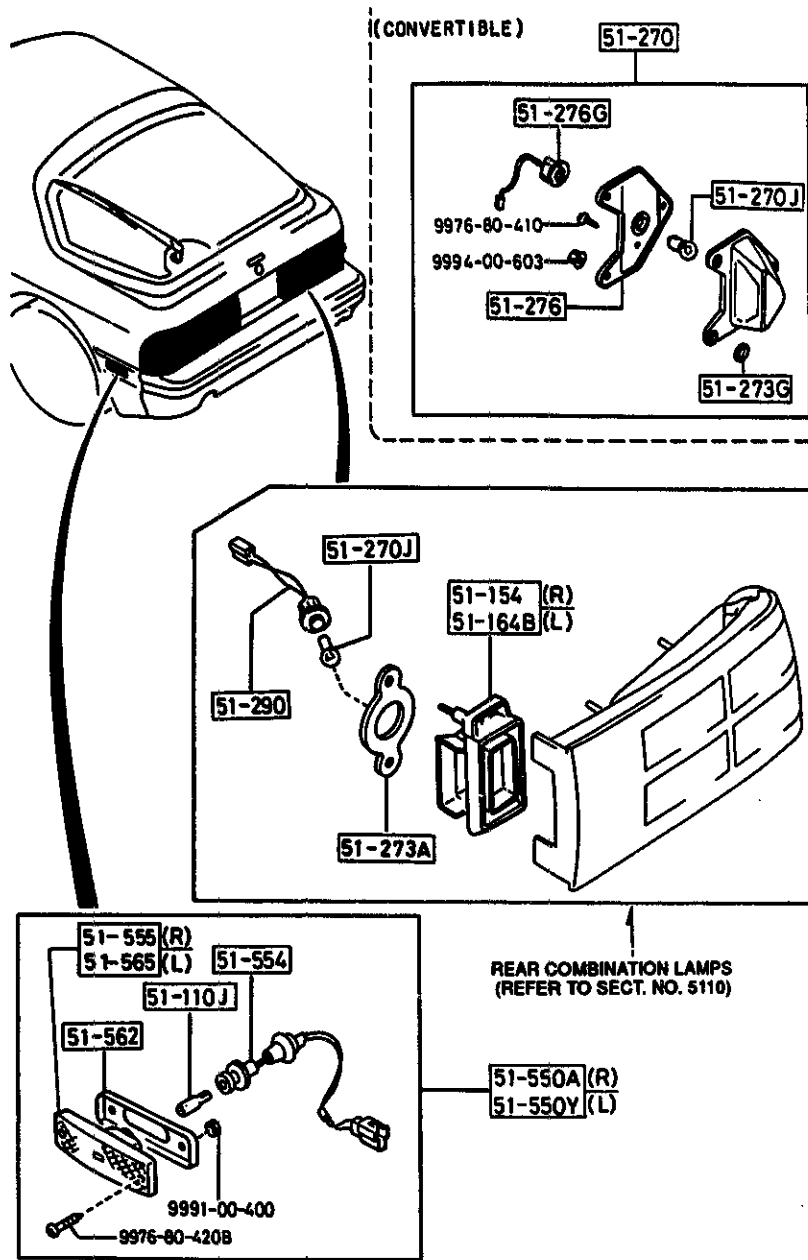
ITEM NO.	D-CODE	DESCRIPTION	PART NO.	QTY	MODEL/DESCRIPTION	REMARKS
51 060G		BULB	9970-14-27B	4	12V 27W/8W	
51 070K		BULB	0000-11-1156	5	12V 27W	
51 146		GROMMET, SCREW-REAR COMBINATION	FB01-51-141	2	COUPE	
			FB67-51-141	2	CONV.	
51 150		LAMP SET (R), REAR COMBINATION	8BF1-51-150	1	COUPE	
			8BF7-51-150	1	CONV.	
51 150Z		LAMP SET (L), REAR COMBINATION	8BF1-51-160	1	COUPE	
				1	CONV.	
51 161		LENS (R), REAR COMBINATION	FB01-51-151	1	COUPE	
			FB67-51-151	1	CONVERTIBLE	
51 161A		LENS & BODY (R), REAR COMBINATION	FB01-51-170	1	COUPE	
			FB67-51-170	1	CONV.	
51 161Y		LENS & BODY (L), REAR COMBINATION	FB01-51-180	1	COUPE	
			FB67-51-180	1	CONV.	
51 161Z		LENS (L), REAR COMBINATION	FB01-51-161	1	COUPE	
			FB67-51-161	1	CONV.	
51 164A		GASKET, REAR COMBINATION	FB01-51-156	2		
51 168		PROTECTOR	FB01-51-171	2	COUPE	
			FB34-51-171	2	CONVERTIBLE	
51 169D		CORD, REAR COMBINATION	FB01-51-158	2		
51 171		PROTECTOR (R), REAR COMBINATION	FB01-51-159	1	COUPE	
			FB34-51-159	1	CONV.	
51 171Z		PROTECTOR (L), REAR COMBINATION	FB01-51-169	1	COUPE	
			FB34-51-169	1	CONV.	
51 175A		REINFORCEMENT (R), RR. COMB. LAMP-UP.	FB01-51-175	1	COUPE	
51 175B		REINFORCEMENT (L), RR. COMB. LAMP-UP.	FB01-51-185	1	COUPE	
51 176A		REINFORCEMENT (R), RR. COMB. LAMP-LWR.	FB01-51-176	1	COUPE	
51 176B		REINFORCEMENT (L), RR. COMB. LAMP-LWR.	FB01-51-186	1	COUPE	
51 580		LAMP, STOP-HIGH MOUNTED	FB01-51-580B	1		
51 582		GASKET, STOP LAMP-HIGH MOUNTED	FB01-51-582A	1		
51 583		LENS, STOP LAMP-HIGH MOUNTED	FB01-51-583A	1		

5110A-2 REAR COMBINATION LAMPS



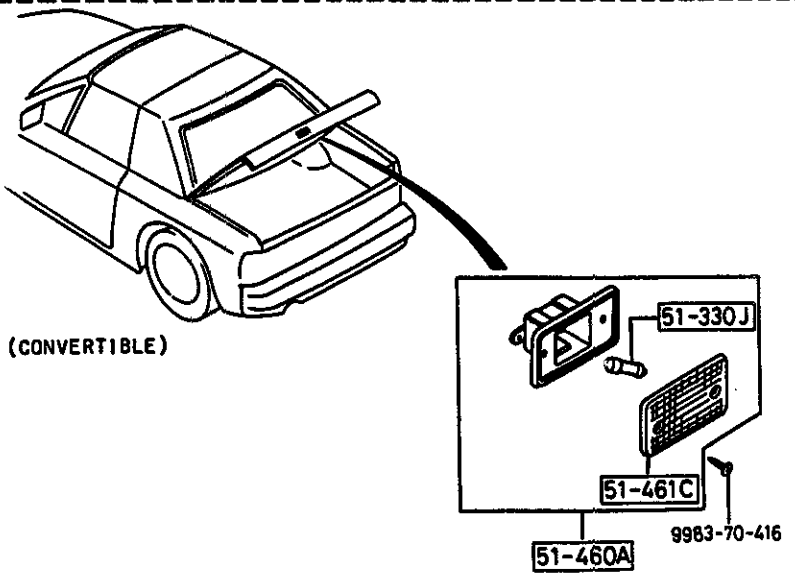
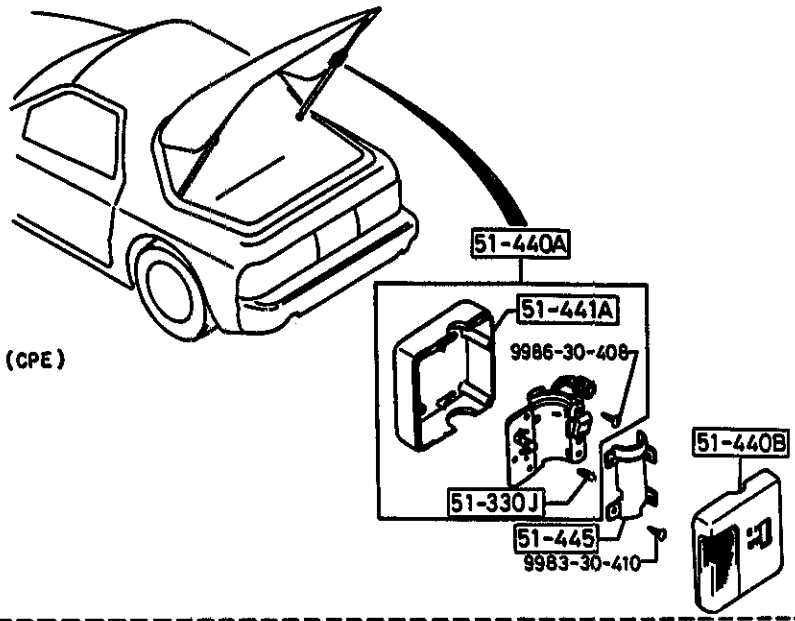
ITEM NO.	D-CODE	DESCRIPTION	PART NO.	QTY	MODEL/DESCRIPTION	REMARKS
51 584		SOCKET, STOP LAMP-HIGH MOUNTED	FB01-51-584A	1		
51 587A		CLIP, STOP LAMP-HIGH MOUNTED	FB01-51-587	1		
51 589		PROTECTOR, STOP LAMP-HIGH MOUNTED	FB01-51-586	1		

5120-1 LICENSE LAMPS



ITEM NO.	D-CODE	DESCRIPTION	PART NO.	QTY	MODEL/DESCRIPTION	REMARKS
51 110J		BULB	0000-11-0194	2	12V 3.8W	
51 154		HOUSING (R), LICENSE LAMP	FB01-51-154	1	COUPE	
51 164B		HOUSING (L), LICENSE LAMP	FB01-51-164	1	COUPE	
51 270		LAMP, LICENSE	88F1-51-270	2	CONV.	
51 270J		BULB	0000-11-0089	2	12V 7.5W	
51 273A		GASKET, LICENSE	FB01-51-157	2	COUPE	
51 273G		GASKET, LICENSE LAMP	FB67-51-273	2	CONV.	
51 276		SHADE, LAMP-LICENSE	FB67-51-276	2	CONV.	
51 276G		SOCKET, LICENSE LAMP	FB67-51-272	2	CONV.	
51 290		CORD, LICENSE LAMP	FB01-51-172	2	COUPE	
51 550A		LAMP (R), SIDE TURN-REAR	88F1-51-550	1		
51 550Y		LAMP (L), SIDE TURN-REAR	88F1-51-560	1		
51 554		SOCKET, REAR SIDE TURN LAMP	FB01-51-554	2		
51 555		UNIT (R), SIDE TURN-REAR	FB01-51-555	1		
51 562		GASKET, REAR SIDE TURN	FB01-51-552A	2		
51 565		UNIT (L), SIDE TURN-REAR	FB01-51-565	1		

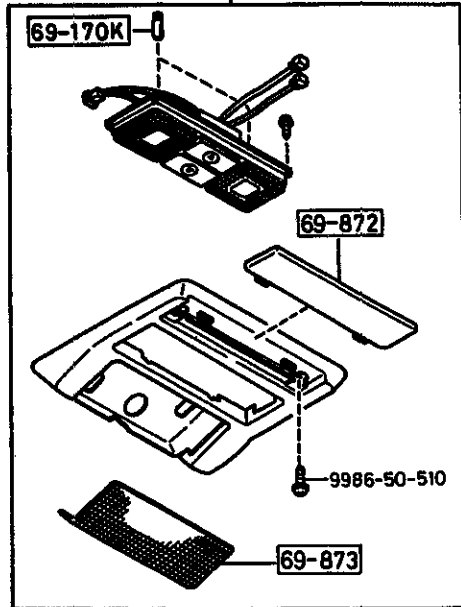
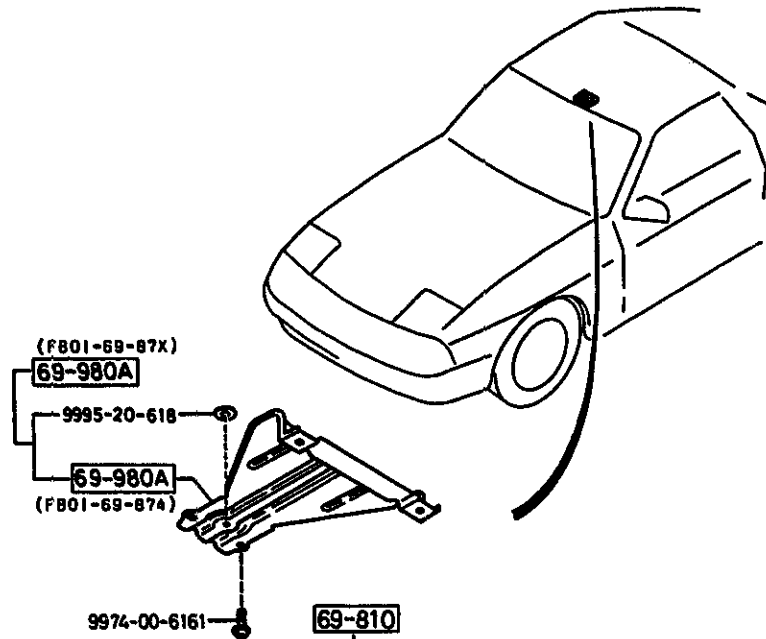
5125-1 INTERIOR LAMPS



ITEM NO.	D-CODE	DESCRIPTION	PART NO.	QTY	MODEL/DESCRIPTION	REMARKS
51 330J		BULB	9970-15-030	1	12V SW	
		< AN >	0000-11-3022	1		
51 440A		LAMP, CARGO ROOM	FB01-51-430	1	COUPE	
51 440B		BODY 'B', LAMP-CARGO ROOM	FB01-51-442A	1	COUPE	
51 441A		BODY 'A', LAMP-CARGO ROOM	FB01-51-441	1	COUPE	
51 445		BRACKET 'B', LAMP-CARGO ROOM	FB01-51-445	1	COUPE	
51 460A		LAMP, COURTESY	8545-51-460	1	CONV	
51 461C		LENS, COURTESY	8545-51-461	1	CONV	

5130-1

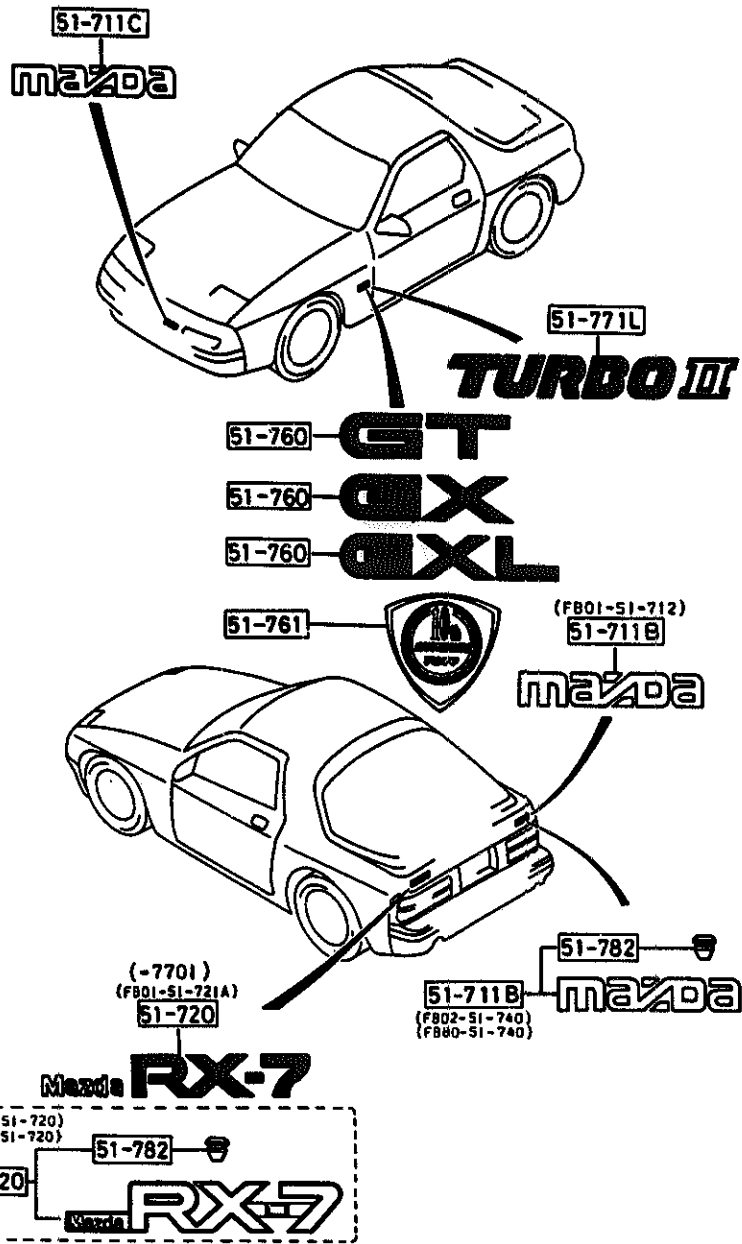
OVERHEAD CONSOLE (COUPE)



ITEM NO.	D-CODE	DESCRIPTION	PART NO.	QTY	MODEL/DESCRIPTION	REMARKS
69 810		CONSOLE, OVERHEAD	FB02-69-870A	1	W/ SPOT LAMP W/O SUNROOF	
		DARK GRAY	07			
		RED	10			
		BLUE	48			
			FB03-69-870A	1	W/ SPOT LAMP W/ SUNROOF	-7501
		DARK GRAY	07			
		RED	10			
		BLUE	48			
69 872		COVER, OVERHEAD CONSOLE	FB01-69-872	1		
		DARK GRAY	07			
		RED	10			
		BLUE	48			
69 873		LENS, ROOM LAMP-HEAD CONSOLE	FB01-69-873	1		
69 980A		BRACKET, OVERHEAD CONSOLE	FB01-69-87X	1	W/O SUNROOF	
			FB01-69-874	1	W/O SUNROOF	
			FB01-69-87X	1	SUNROOF	-7501
			FB01-69-874	1	SUNROOF	-7501

7501 FC33* -547831

5170-1 ORNAMENTS



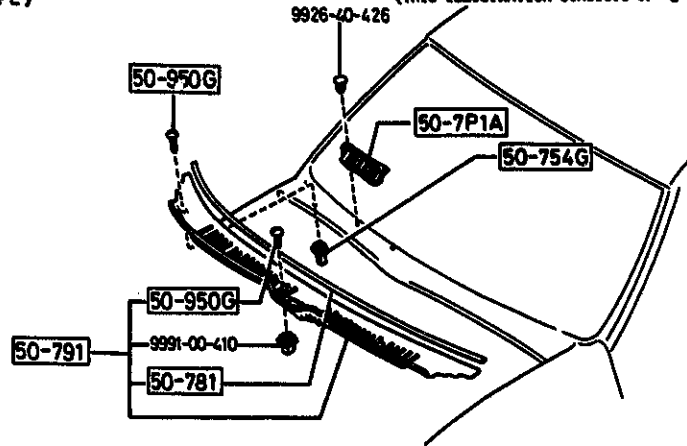
ITEM NO.	D-CODE	DESCRIPTION	PART NO.	QTY	MODEL/DESCRIPTION	REMARKS
51 711B		ORNAMENT, MANUFACTURER NAME-REAR	FB01-51-712	1	'MAZDA'	-6206
		BLACK	01			
		SILVER	08			
51 711C		ORNAMENT, MANUFACTURER NAME-FRONT	FB02-51-740	1	'MAZDA'	6206-
		BLACK	01			
		SILVER	08			
51 720		ORNAMENT, CAR NAME-REAR	FB01-51-721A	1	'MAZDA RX-7'	-7701
		DARK GRAY/BLACK	05			
		SILVER	06			
51 760		ORNAMENT, GRADE-REAR	FB02-51-720	1		7701-
		BLACK	01			
		SILVER	08			
			FB01-51-761	1	'GXL'	7701-
		BLACK	01			
		SILVER	08			
			F044-51-761	2	'GT'	-6206
		BLACK	01			
		SILVER	08			
51 771L		ORNAMENT, TURBO-SIDE	FB51-51-761	2	'TURBO II'	-7701
		SILVER	08			7701-
		RED	10			
51 782		CLIP, TUBULAR	H001-51-782	7		

6206 FC33* -130380
 7701 FC33* -550169

5180-1 COWL & EXTRACTOR GILLES

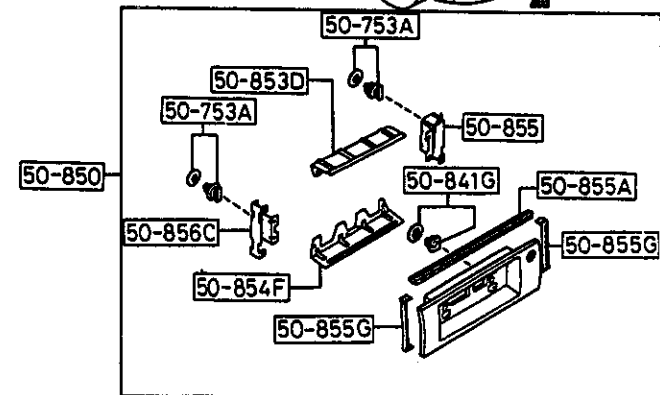
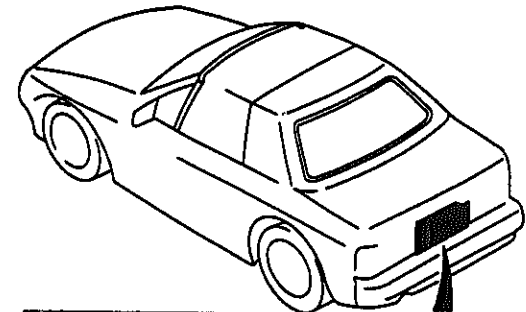
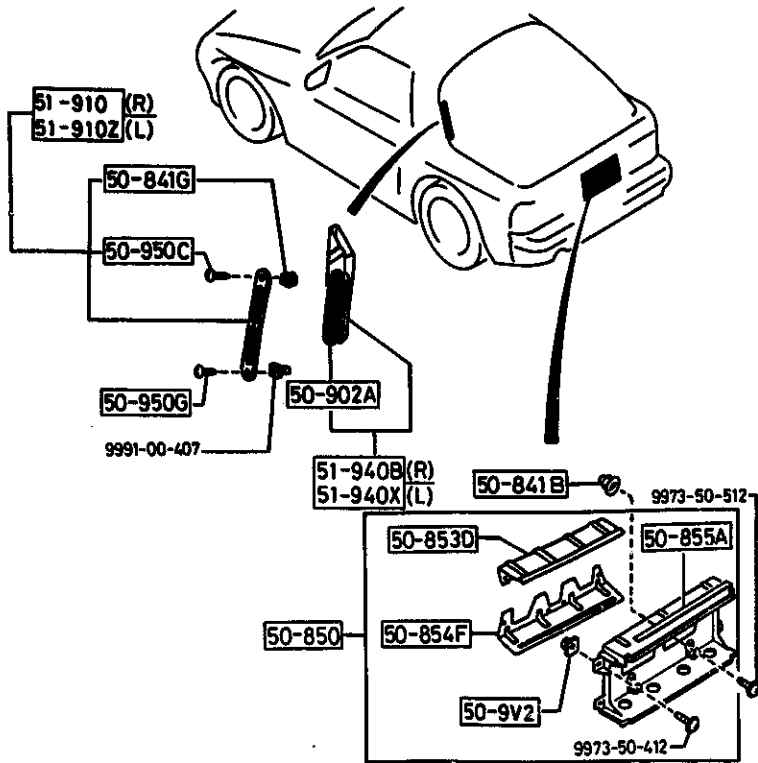
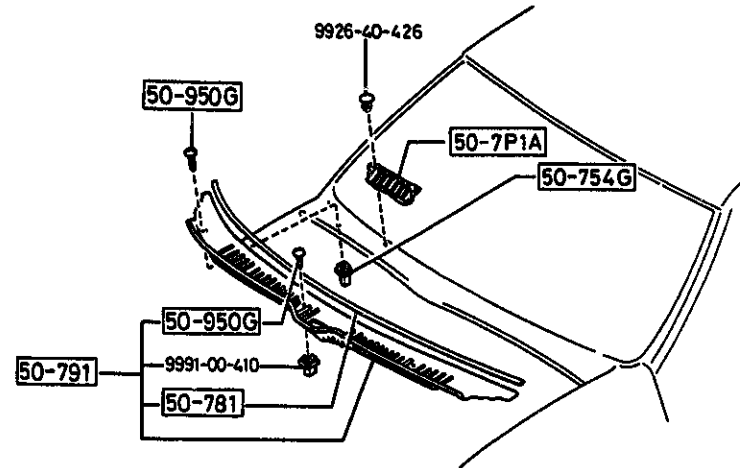
(CPE)

(THIS ILLUSTRATION CONSISTS OF 2 PAGES)



(CONVERTIBLE)

(THIS ILLUSTRATION CONSISTS OF 2 PAGES)



5180-2

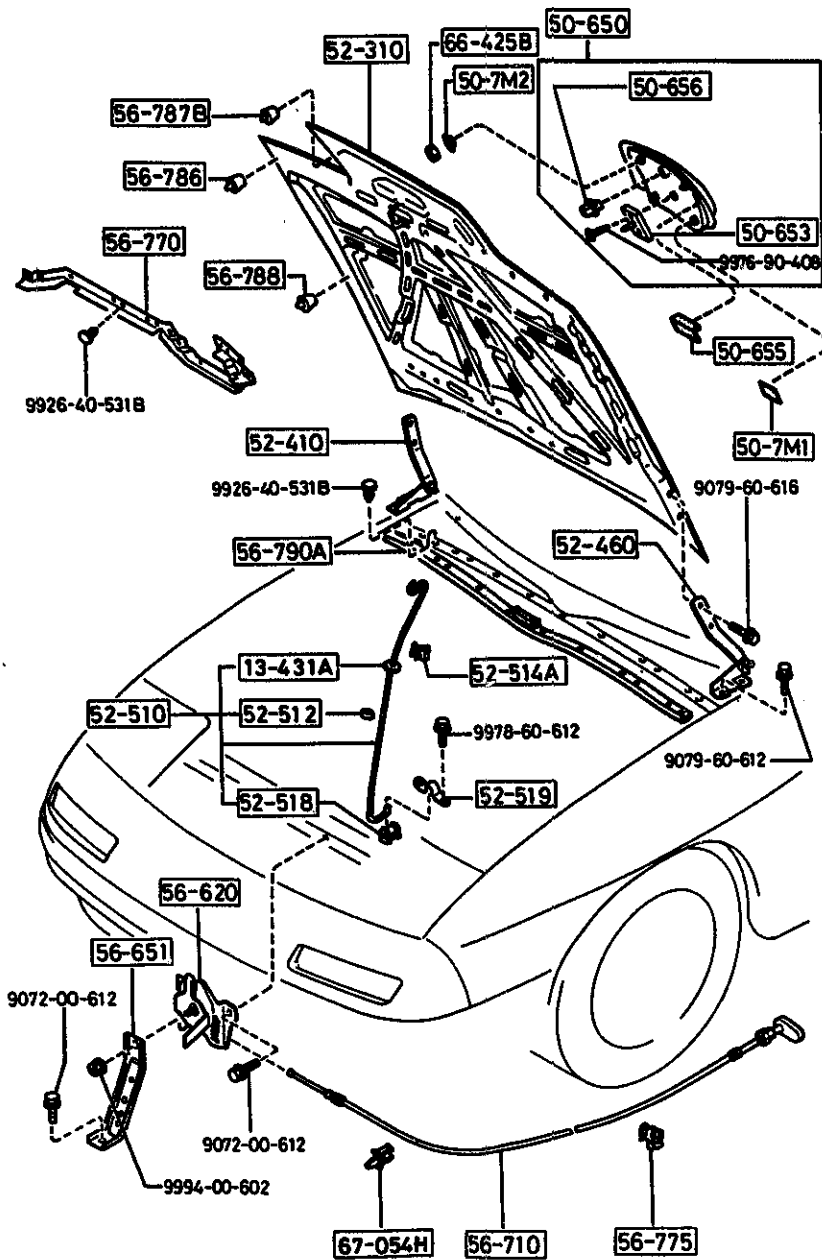
COWL & EXTRACTOR GILLES

SEE ILLUSTRATION/S AT FRAME 2 - 1 4

ITEM NO.	D-CODE	DESCRIPTION	PART NO.	QTY	MODEL/DESCRIPTION	REMARKS
50 753A		FASTENER	G043-50-753	4	CONV.	
50 754G		GROMMET, SCREW	FB01-50-818	4		
50 781		PROTECTOR, COWL GRILLE	FB01-50-792	1		
50 791		GRILLE, COWL	FB01-50-790B	1		
50 7P1A		GRILLE (R), COWL-LOWER	FB01-50-7P1A	1		
50 841B		GROMMET, SCREW	FB01-50-841	5	COUPE	-6A09
				3	COUPE	6A09-
50 841G		GROMMET, SCREW	F044-51-912	2	COUPE	
				3	CONV.	
50 850		FINISHER, REAR	FB67-50-850A	1	CONV.	
			FB01-50-850C	1	COUPE	
50 853D		REINFORCEMENT (UPPER), FINISHER-REAR	FB01-50-853	1	COUPE	
			FB67-50-853	1	CONV.	
50 854F		REINFORCEMENT (LOWER), FINISHER-REAR	FB01-50-854	1	COUPE	
			FB67-50-854	1	CONV	
50 855		BRACKET NO. 1, FINISHER-REAR	FB67-50-855	1	CONV	
50 855A		PROTECTOR, REAR FINISHER	FB01-50-852A	1	COUPE	
			FB67-50-852	1	CONV	
50 855G		PROTECTOR, REAR FINISHER	FB67-50-857	2	CONV	
50 856C		BRACKET NO. 2, FINISHER-REAR	FB67-50-856	1	CONV	
50 902A		PLATE	FB01-51-922	2	COUPE	
50 950C		SCREW	F044-51-890A	2	COUPE	
50 950G		SCREW, COWL GRILLE	FB01-50-795A	6	CONV	
				8	COUPE	
50 9V2		GROMMET, SCREW	B250-50-9V2	2	COUPE	
51 910		GRILLE (R), EXTRACTOR	F044-51-910A	1	COUPE	
51 910Z		GRILLE (L), EXTRACTOR	F044-51-930A	1	COUPE	
51 940B		CHAMBER (R), EXTRACTOR	FB01-51-920A	1	COUPE	
51 940X		CHAMBER (L), EXTRACTOR	FB01-51-940A	1	COUPE	

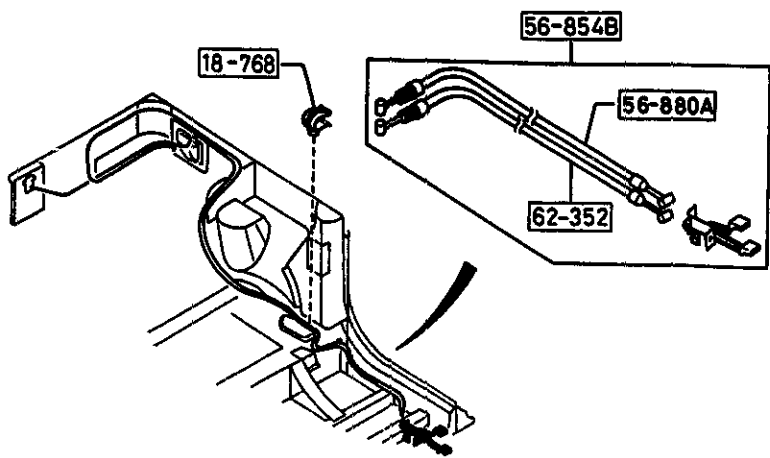
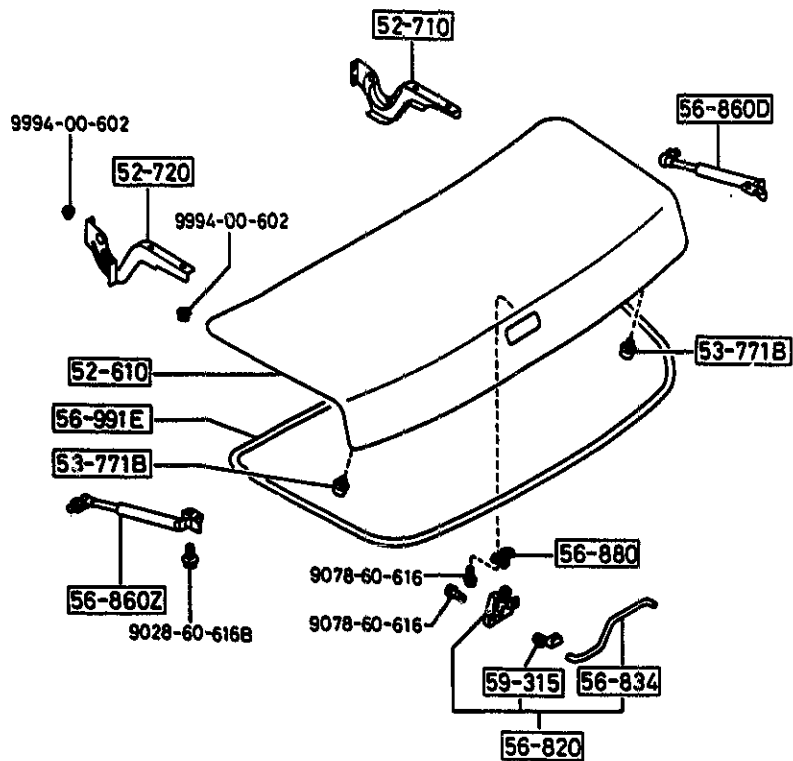
6A09 FC33* -519048

5230-1 HOOD



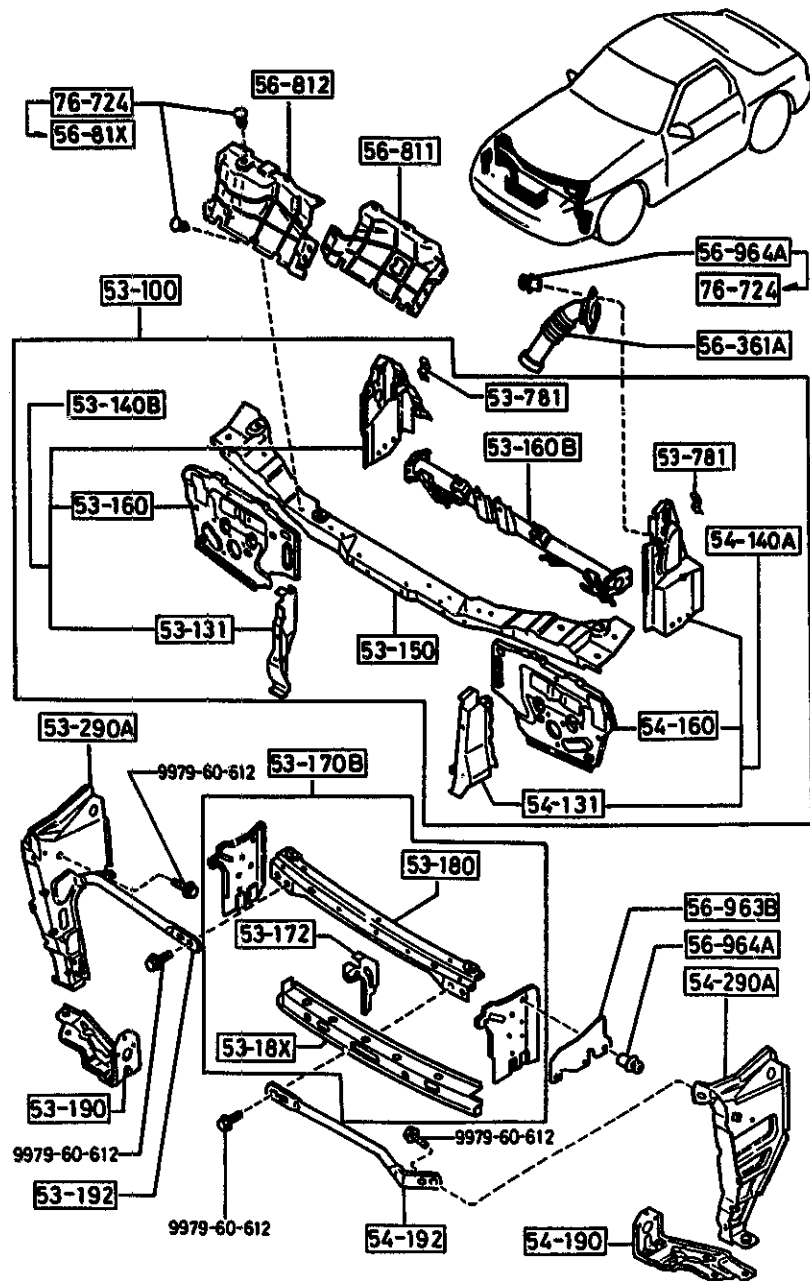
ITEM NO.	D-CODE	DESCRIPTION	PART NO.	QTY	MODEL/DESCRIPTION	REMARKS
13 431A		WASHER, RUBBER	0118-13-431	1		7501-
50 650		SCOOP, HOOD	F044-50-650B	1	TURBO	
50 653		BRACKET, HOOD	F044-50-653A	1	TURBO	
50 655		PROTECTOR, HOOD	F044-50-655B	4	TURBO	
50 656		FASTENER, HOOD	F044-50-656A	1	TURBO	
50 7M1		PROTECTOR, HOOD	F044-50-7M1	2	TURBO	
50 7M2		WASHER, HOOD	F044-50-7M2	5	TURBO	
52 310		HOOD	FB01-52-310H	1	STEEL, W/O TURBO	
		REFER TO PARTS BULL. NO. T-3-7 FOR MORE INFO.				
			FB13-52-310J	1	ALUM., W/O TURBO	
			F049-52-310N	1	ALUM., TURBO	
52 410		HINGE (R), HOOD	FB13-52-410E	1		
52 460		HINGE (L), HOOD	FB13-52-420E	1		
52 510		STAY, HOOD	FB01-52-510D	1		
52 512		SPACER, HOOD STAY	FB01-52-512	1		
52 514A		HOLDER, HOOD STAY-SHROUD	FB67-52-514	1	CONV	
			FB01-52-514B	1	COUPE	
52 518		HOLDER, HOOD STAY	FB01-52-518	1		
52 519		PLATE, SET-HOLDER	FB01-52-519A	1		
56 620		LOCK, HOOD	FB01-56-620E	1	W/O BURGLAR ALARM STEEL HOOD	
			FB02-56-620F	1	W/ BURGLAR ALARM STEEL HOOD	
			FB13-56-620C	1	W/O BURGLAR ALARM ALUM. HOOD	
			FB15-56-620F	1	W/ BURGLAR ALARM ALUM. HOOD	
56 651		STAY, LOCK-HOOD	FB01-56-651	1		
56 710		WIRE, RELEASE-HOOD	FB01-56-710C	1		
56 770		RUBBER (C), SEAL-HOOD-FRONT	FB01-56-770A	1		
56 775		CLIP, WIRE-BONNET	FB01-56-775B	4		-6701
				3		6701-
56 786		RUBBER (C), CUSHION-HOOD	FB01-56-786A	2		
56 787B		RUBBER, CUSHION-HOOD-FRONT	FB01-56-787A	2		
56 788		RUBBER, CUSHION-HOOD-REAR	FB01-56-788	2		
56 790A		RUBBER, SEAL-COWL PANEL	FB67-56-740	2	CONV.	
			FB01-56-780D	1	COUPE	
66 425B		NUT, HOOD	F044-50-425	5	TURBO	
67 054H		CLIP, OPENER CABLE	B130-56-897	1		
6701	FC33*	-500010				
7501	FC33*	-547831				

5260-1 TRUNK LID (CONVERTIBLE)



ITEM NO.	D-CODE	DESCRIPTION	PART NO.	QTY	MODEL/DESCRIPTION	REMARKS
18 768		CLIP	E301-18-768	1		
52 610		LID, TRUNK	FB67-52-610A	1		
52 710		HINGE (R), TRUNK LID	FB67-52-710A	1		
52 720		HINGE (L), TRUNK LID	FB67-52-720A	1		
53 771B		RUBBER, CUSHION	FB67-56-802	2		
56 820		LOCK, LID	FB67-56-820	1		
56 834		ROD, TRUNK OPENING	FB67-56-835	1		
56 854B		OPENER, TRUNK LID & FUEL LID	FB67-56-920D	1		
56 860D		STAY (R), DAMPER-TRUNK LID	8BF1-56-860	1		
56 860Z		STAY (L), DAMPER-TRUNK LID	8BF1-56-870	1		
56 880		STRIKER, LID	FB67-56-840	1		
56 991E		WEATHERSTRIP, LID	FB67-56-952	1		
59 315		CLIP	G030-59-315	1		
62 352		CABLE, OPENER	FB67-56-930D	1		

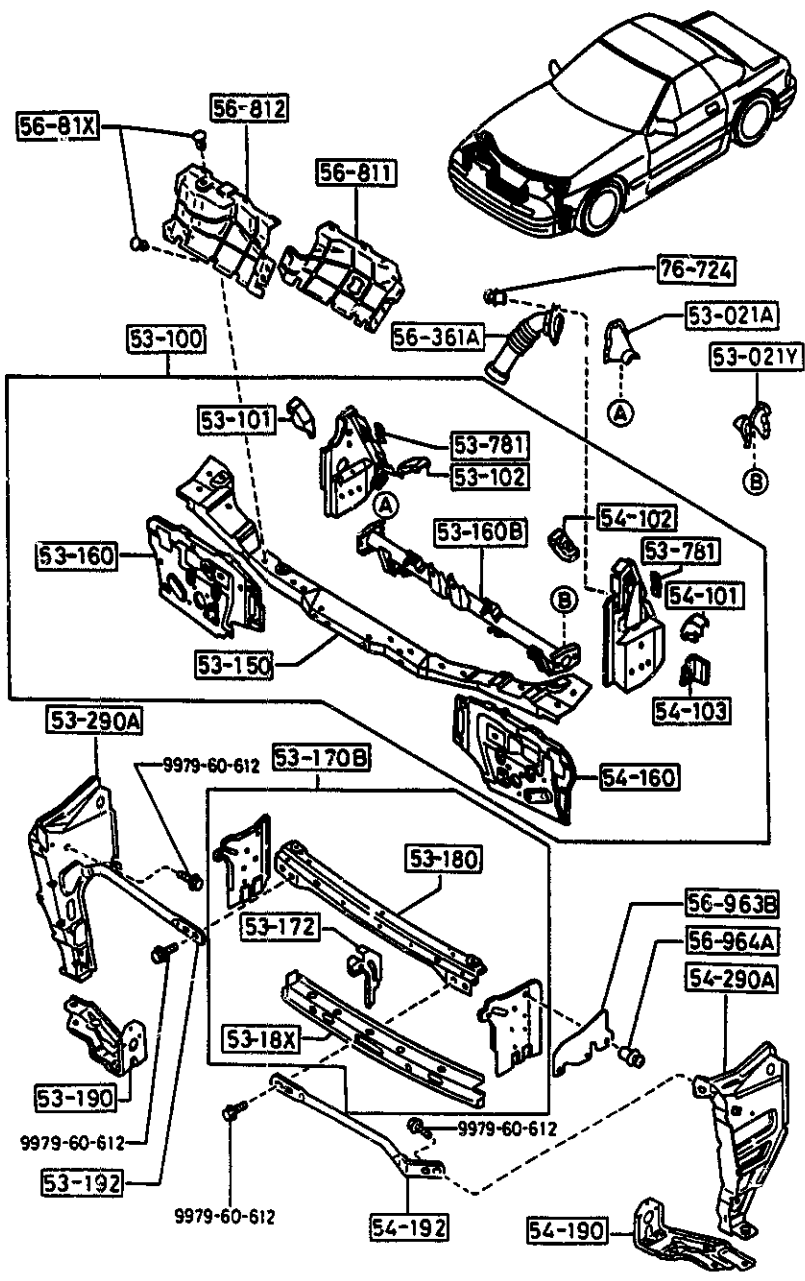
5310-1 BODY PANELS (FRONT) (COUPE)



ITEM NO.	D-CODE	DESCRIPTION	PART NO.	QTY	MODEL/DESCRIPTION	REMARKS
53 100		PANEL, RADIATOR	FB01-53-100N	1		
53 131		REINFORCEMENT (R), RADIATOR	FB01-53-131A	1		
53 140B		PANEL (R), SHROUD-SIDE	FB01-53-12XB	1		6201-
53 150		PLATE, SHROUD-UPPER	FB01-53-150D	1		
53 160		PANEL (R), SHROUD	FB01-53-120C	1		
53 160B		MEMBER, CROSS	FB01-53-160	1		
53 170B		PLATE, SET-FASCIA	FB01-53-170K	1		
53 172		STAY, SET PLATE-FASCIA	FB01-53-172	1		
53 180		PLATE (UP.), SET-FASCIA	FB01-53-180C	1		
53 18X		BRACKET, RELAY-SET PLATE	FB01-53-18XA	1		
53 190		STAY (R), FENDER-LOWER	FB01-53-190	1		
53 192		STAY (R), FENDER-UPPER	FB01-53-192	1		
53 290A		BRACKET (R), FENDER	FB01-53-110A	1		
53 781		BRACKET, GRILLE	0305-53-781A	2		
54 131		REINFORCEMENT (L), RADIATOR SHROUD	FB01-54-131A	1		
54 140A		PANEL (L), SHROUD-SIDE	FB01-54-12XE	1		
54 160		PANEL (L), SHROUD	FB01-54-120D	1		
54 190		STAY (L), FENDER-LOWER	FC01-54-190	1		
54 192		STAY (L), FENDER-UPPER	FB01-54-192	1		
54 290A		BRACKET (L), FENDER	FB01-54-110B	1		
56 361A		DUCT, AIR-RADIATOR SHROUD	FB01-56-361A	1		
56 811		PANEL (L), DUCT-RADIATOR SHROUD	FC01-56-811	1		
56 812		PANEL (R), DUCT-RADIATOR SHROUD	FB01-56-812	1		
56 81X		FASTENER, DUCT PANEL	FB01-56-81X	10		-6301
56 963B		PLATE, SEAL-RADIATOR SHROUD	FB01-56-963	1		
56 964A		RIVET, SEAL PLATE-SHROUD	FB01-56-964	3		
76 724		RIVET	B092-51-833	10		-7501 -6301 -7501

6201 FC33* -129445
 6301 FC33* -134718
 7501 FC33* -547831

**5310A-1 BODY PANELS (FRONT)
(CONVERTIBLE)**

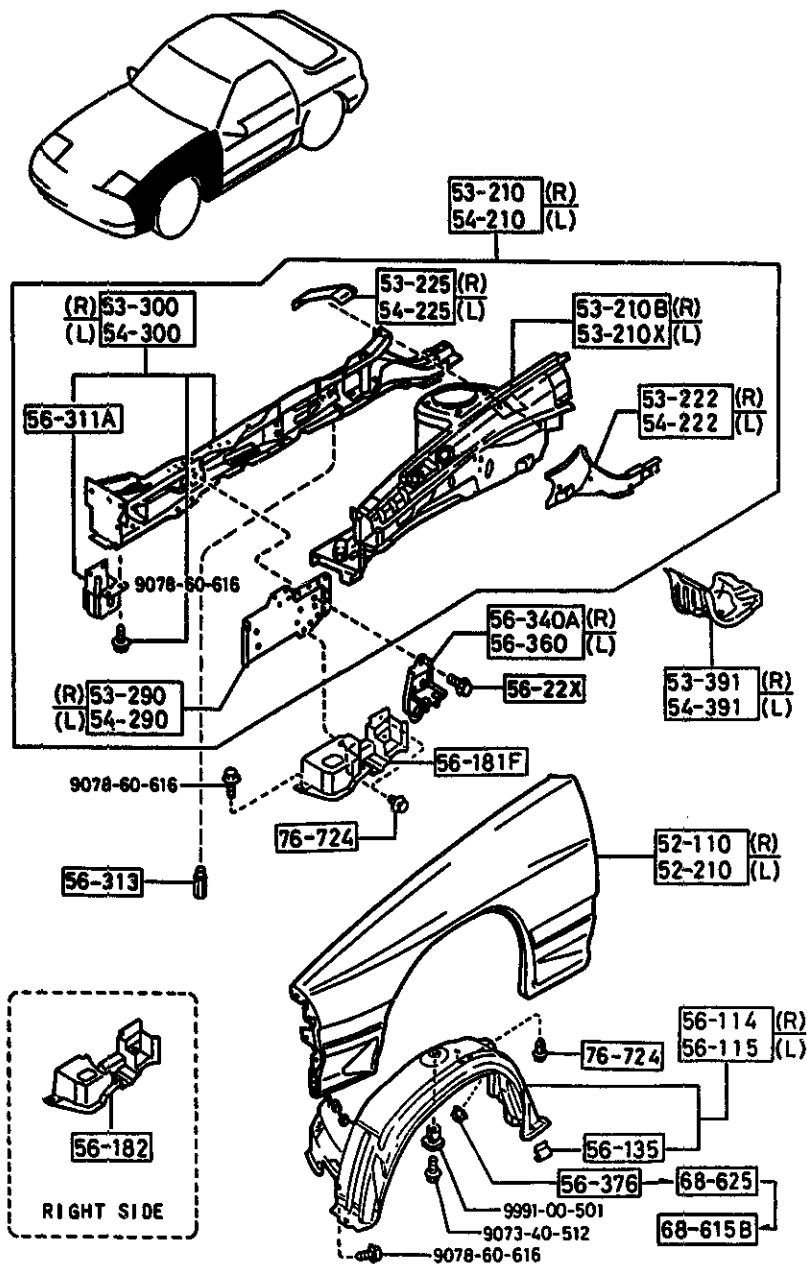


ITEM NO.	D-CODE	DESCRIPTION	PART NO.	QTY	MODEL/DESCRIPTION	REMARKS
53 021A		GUSSET (R), CROSS MEMBER NO.	FB67-53-021	1		
53 021Y		GUSSET (L), CROSS MEMBER NO.	FB67-54-021	1		
53 100		PANEL, RADIATOR SHROUD	FB67-53-100C	1		
53 101		REINFORCEMENT 'A' (R), RADIATOR SHROUD	FB67-53-101	1		
53 102		REINFORCEMENT 'B' (R), RADIATOR SHROUD	FB67-53-102	1		
53 150		PLATE, SHROUD-UPPER	FB67-53-150	1		
53 160		PANEL (R), SHROUD	FB67-53-12XC	1		
53 160B		MEMBER, CROSS	FB67-53-160	1		
53 170B		PLATE, SET-FASCIA	FB67-53-170B	1		
53 172		STAY, SET PLATE-FASCIA	FB01-53-172	1		
53 180		PLATE (UP.), SET-FASCIA	FC66-53-180	1		
53 18X		BRACKET, RELAY-SET PLATE	FB01-53-18XA	1		
53 190		STAY (R), FENDER-LOWER	FC01-53-190	1		
53 192		STAY (R), FENDER-UPPER	FB01-53-192	1		
53 290A		BRACKET (R), FENDER	FB01-53-110A	1		
53 781		BRACKET, GRILLE	0305-53-781A	2		
54 101		REINFORCEMENT 'A' (L), RADIATOR SHROUD	FB67-54-101	1		
54 102		REINFORCEMENT 'B' (L), RADIATOR	FB67-54-102	1		
54 103		REINFORCEMENT 'C' (L), RADIATOR	FB67-54-103	1		
54 160		PANEL (L), SHROUD	FB67-54-12XC	1		
54 190		STAY (L), FENDER-LOWER	FB01-54-190	1		
54 192		STAY (L), FENDER-UPPER	FB01-54-192	1		
54 290A		BRACKET (L), FENDER	FB01-54-110B	1		
56 361A		DUCT, AIR-RADIATOR SHROUD	FB01-56-361A	1		
56 811		PANEL (L), DUCT-RADIATOR SHROUD	FC01-56-811	1		
56 812		PANEL (R), DUCT-RADIATOR SHROUD	FB01-56-812	1		
56 81X		FASTENER, DUCT PANEL	FB01-56-81X	10		
56 963B		PLATE, SEAL RADIATOR SHROUD	FB01-56-963	1		
56 964A		RIVET, SEAL PLATE-SHROUD	FB01-56-964	3		
76 724		RIVET	B092-51-833	2		

SECTION INDEX -- BODY

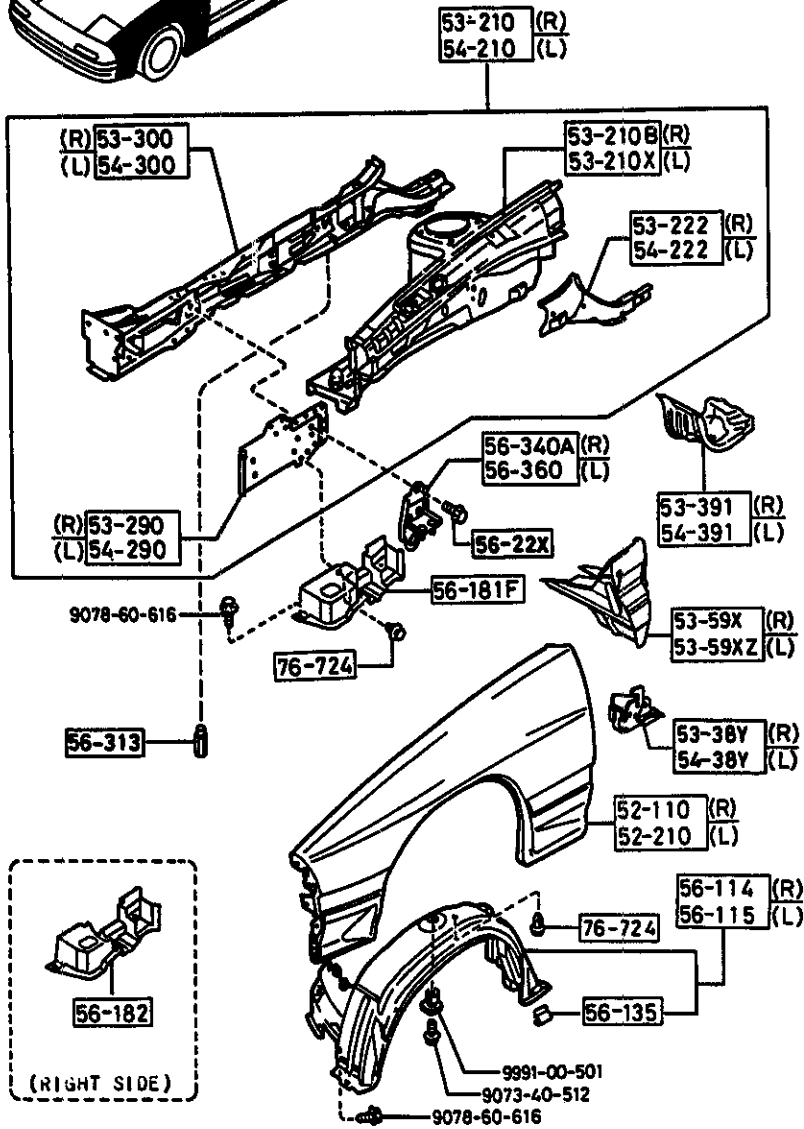
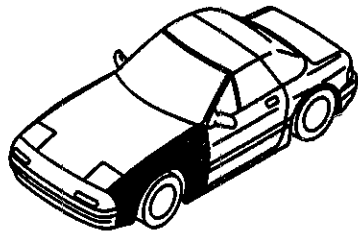
STARTING LOCATION	SECT. NO.	SECTION NAME	STARTING LOCATION	SECT. NO.	SECTION NAME	STARTING LOCATION	SECT. NO.	SECTION NAME
2 - C 3	0900A	KEY SETS	2 - J 6	5500B	DASHBOARD EQUIPMENTS (CONVERTIBLE)	2 - L14	6230	LIFT GATE MECHANISMS (COUPE)
2 - E 3	5000	FRONT BUMPER	2 - K 6	5520	METER HOOD	2 - N14	6300A	WINDOW GLASSES
2 - F 3	5005	RADIATOR GRILLE	2 - L 6	5530	SPEEDOMETER CABLE	2 - C15	6330	SUNROOF (COUPE)
2 - G 3	5010A	REAR BUMPER	2 - M 6	5540	METER COMPONENTS (COUPE) (W/O ANTI-LOCK BRAKE SYSTEM)	2 - E15	6330A	SOFT TOP (CONVERTIBLE)
2 - H 3	5030A	WINDOW MOULDINGS	2 - C 7	5540A	METER COMPONENTS (COUPE) (ANTI-LOCK BRAKE SYSTEM)	2 - G15	6600B	SWITCHES & RELAYS (ENGINE) (W/O TURBO)
2 - I 3	5040A	BODY MOULDINGS	2 - E 7	5540B	METER COMPONENTS (CONVERTIBLE)	2 - J15	6600BA	SWITCHES & RELAYS (ENGINE) (TURBO)
2 - J 3	5060A	SIDE PROTECTORS	2 - F 7	5560	DASHBOARD & RELATED PARTS	2 - M15	6610	DASHBOARD SWITCHES (MANUAL OPERATING)
2 - K 3	5100	HEAD LAMPS	2 - I 7	5570	CONSOLE	2 - N15	6611	COMBINATION SWITCH
2 - L 3	5103	HEAD LAMP RETRACTORS	2 - K 7	5580	VENTILATOR	2 - C16	6612	CLUSTER SWITCH
2 - M 3	5105	FRONT COMBINATION LAMPS	2 - C 8	5700A	FRONT SEATS (COUPE)	2 - D16	6615	POWER WINDOW SWITCHES
2 - C 4	5110A	REAR COMBINATION LAMPS	2 - C 9	5700AA	FRONT SEATS (COUPE) (LEATHER)	2 - E16	6620	DOOR SWITCH
2 - E 4	5120	LICENSE LAMPS	2 - C10	5700AB	FRONT SEATS (CONVERTIBLE) (CLOTH)	2 - F16	6630	RELAYS & CPU (BODY)
2 - F 4	5125	INTERIOR LAMPS	2 - F10	5700AC	FRONT SEATS (CONVERTIBLE) (LEATHER)	2 - G16	6635	HORNS
2 - G 4	5130	OVERHEAD CONSOLE (COUPE)	2 - J10	5750A	REAR SEATS (CLOTH)	2 - H16	6640	AUTO CRUISE CONTROL SYSTEM
2 - H 4	5170	ORNAMENTS	2 - C11	5750AA	REAR SEATS (LEATHER)	2 - I16	6680	AUDIO SYSTEMS (RADIO & TAPE DECK)
2 - I 4	5180	COWL & EXTRACTOR GRILLES	2 - H11	5790A	SEAT BELTS			
2 - K 4	5230	HOOD	2 - J11	5800A	FRONT DOORS (COUPE)			
2 - L 4	5260	TRUNK LID (CONVERTIBLE)	2 - K11	5800AA	FRONT DOORS (CONVERTIBLE)			
2 - M 4	5310	BODY PANELS (FRONT) (COUPE)	2 - C12	5830A	FRONT DOOR MECHANISMS (COUPE)			
2 - N 4	5310A	BODY PANELS (FRONT) (CONVERTIBLE)	2 - H12	5830AA	FRONT DOOR MECHANISMS (CONVERTIBLE)			
2 - C 5	5320	BODY PANELS (FENDER & WHEEL APRON) (COUPE)	2 - C13	5840A	FRONT DOOR TRIMS & RELATED PARTS (COUPE)			
2 - D 5	5320B	BODY PANELS (FENDER & WHEEL APRON) (CONVERTIBLE)	2 - K13	5840AB	FRONT DOOR TRIMS & RELATED PARTS (CONVERTIBLE)			
2 - E 5	5330	BODY PANELS (DASH & COWL PANEL)	2 - N13	6100	HEATER			
2 - F 5	5340A	BODY PANELS (SIDE) (COUPE)	2 - C14	6110	HEATER UNIT COMPONENTS			
2 - H 5	5340AA	BODY PANELS (SIDE) (CONVERTIBLE)	2 - D14	6115	HEATER CONTROLS COMPONENTS			
2 - K 5	5360A	BODY PANELS (ROOF) (COUPE)	2 - E14	6120	HEATER BLOWER COMPONENTS			
2 - L 5	5370	BODY PANELS (FLOOR) (COUPE)	2 - F14	6130	AIR CONDITIONER (W/O AIR CONDITIONER)			
2 - M 5	5370A	BODY PANELS (FLOOR) (CONVERTIBLE)	2 - G14	6132A	CONDENSER PACKAGE			
2 - C 6	5390	FLOOR ATTACHMENTS (COUPE)	2 - I14	6142A	COMPRESSOR MOUNTING KIT, COMPRESSOR/CLUTCH ASSEMBLY & REPAIR PARTS			
2 - E 6	5390A	FLOOR ATTACHMENTS (CONVERTIBLE)	2 - J14	6152A	EVAPORATOR PACKAGE			
2 - G 6	5500	DASHBOARD EQUIPMENTS (COUPE) (W/O ANTI-LOCK BRAKE SYSTEM)	2 - K14	6200	LIFT GATE			
2 - I 6	5500A	DASHBOARD EQUIPMENTS (COUPE) (ANTI-LOCK BRAKE SYSTEM)						

**5320-1 BODY PANELS (FENDER & WHEEL APRON)
(COUPE)**



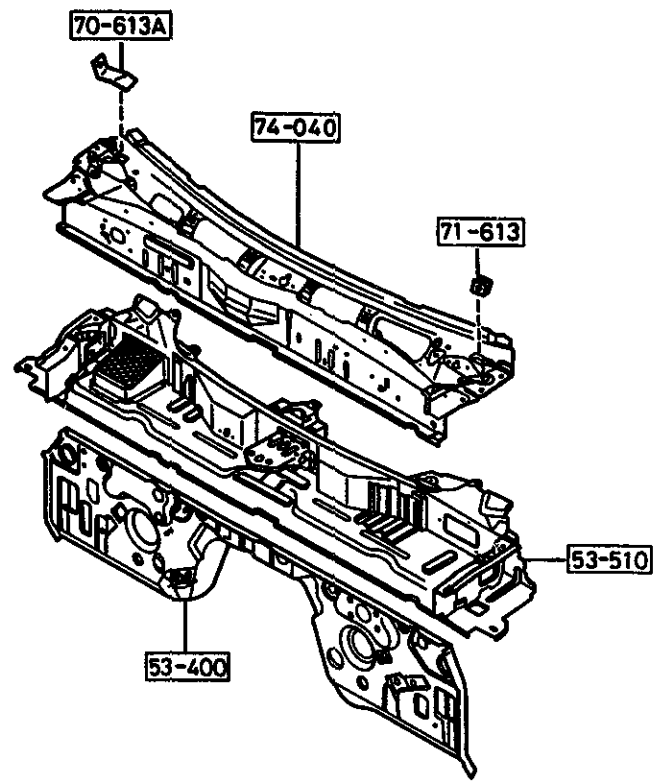
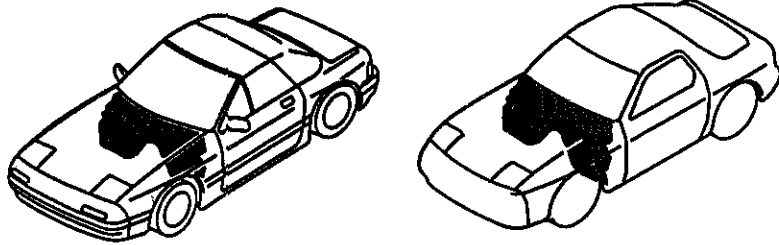
ITEM NO.	D-CODE	DESCRIPTION	PART NO.	QTY	MODEL/DESCRIPTION	REMARKS
52 110		PANEL (R), FENDER-FRONT	FB01-52-111C	1		
52 210		PANEL (L), FENDER-FRONT	FB01-52-211B	1		
53 210		PANEL (R), WHEEL APRON	FB01-53-200D	1	W/O ABS	
			FB34-53-200D	1	W/ ABS	
53 210B		PANEL (R), WHEEL APRON	FB01-53-210K	1	W/O ABS	
			FB34-53-210D	1	W/ ABS	
53 210X		PANEL (L), WHEEL APRON	FB01-54-210D	1	W/O ABS	
			F044-54-210E	1	W/ ABS	
53 222		PLATE (RR., R), CLOSING	FB01-53-250A	1		
53 225		REINFORCEMENT (R), ABS-APRON	FB34-53-225	1		
53 290		PLATE (FRT., R), CLOSING	FC66-53-240C	1		
53 300		FRAME (R), SIDE-FRONT	FC01-53-310	1		
53 391		BOX (R), TORQUE	FB01-53-391A	1		
54 210		PANEL (L), WHEEL APRON	FB01-54-200J	1	W/O ABS	
			F044-54-200	1	W/ ABS	
54 222		PLATE (RR., L), CLOSING	FB01-54-250A	1		
54 225		REINFORCEMENT (L), ABS-APRON	F044-54-225	1		
54 290		PLATE (FRT., L), CLOSING	FB01-54-240A	1		
54 300		FRAME (L), SIDE-FRONT	FB01-54-310J	1		
54 391		BOX (L), TORQUE	FB01-54-391A	1		
56 114		GUARD (R), MUD	FC01-56-130	1		
56 115		GUARD (L), MUD	FC01-56-140	1		
56 135		RUBBER, STOP	B173-56-135	10		
56 181F		PLATE (L), SEAL-CLOSING	FB01-56-181A	1		
56 182		PLATE (R), SEAL-CLOSING	FB01-56-182A	1		
56 22X		BOLT, TIE DOWN HOOK-FRONT	FB01-56-22X	6		
56 311A		ADAPTER, TOOLING-FRAME	FB01-56-311	2	W/ AERO PARTS KIT	
56 313		BOLT, SIDE FRAME-FRONT	FB01-56-313	2		
56 340A		HOOK (R), TIE DOWN-FRONT	FB01-56-221A	1	W/O AERO PARTS KIT	
			FB34-56-220A	1	W/ AERO PARTS KIT	
56 360		HOOK (L), TIE DOWN-FRONT	FB01-56-231A	1	W/O AERO PARTS KIT	
			FB34-56-230A	1	W/ AERO PARTS KIT	
56 376		NUT, SELF LOCK	B001-56-376	2		
68 615B		NUT, FLANGE-CAP	B100-68-615	2		
68 625		NUT, CAP	B001-68-625	2		
76 724		RIVET	B092-51-833	6		

**5320B-1 BODY PANELS (FENDER & WHEEL APRON)
(CONVERTIBLE)**



ITEM NO.	D-CODE	DESCRIPTION	PART NO.	QTY	MODEL/DESCRIPTION	REMARKS
52 110		PANEL (R), FENDER-FRONT	FB01-52-111C	1		
52 210		PANEL (L), FENDER-FRONT	FB01-52-211B	1		
53 210		PANEL (R), WHEEL APRON	FB67-53-200C	1		
53 210B		PANEL (R), WHEEL APRON	FB67-53-210C	1		
53 210X		PANEL (L), WHEEL APRON	FB67-54-210G	1		
53 222		PLATE (RR., R), CLOSING	FB01-53-250A	1		
53 290		PLATE (FRT., R), CLOSING	FC66-53-240	1		
53 300		FRAME (R), SIDE-FRONT	F367-53-310B	1		
53 391		BOX (R), TORQUE	FB67-53-391A	1		
53 59X		REINFORCEMENT (R), WHEEL APRON	FB67-53-59XB	1		
53 59XZ		REINFORCEMENT (L), WHEEL APRON	FB67-54-59XB	1		
54 210		PANEL (L), WHEEL APRON	FC33-54-200	1		
54 222		PLATE (RR., L), CLOSING	FB01-54-250A	1		
54 290		PLATE (FRT., L), CLOSING	FB01-54-240A	1		
54 300		FRAME (L), SIDE-FRONT	FB67-54-310B	1		
54 391		BOX (L), TORQUE	FB67-54-391A	1		
56 114		GUARD (R), MUD	FB67-56-130	1		
56 115		GUARD (L), MUD	FB67-56-140	1		
56 135		RUBBER, STOP	8173-56-135	10		
56 181F		PLATE (L), SEAL-CLOSING	FB01-56-181A	1		
56 182		PLATE (R), SEAL-CLOSING	FB01-56-182A	1		
56 22X		BOLT, TIE DOWN HOOK-FRONT	FB01-56-22X	6		
56 340A		HOOK (R), TIE DOWN-FRONT	FB01-56-221A	1		
56 360		HOOK (L), TIE DOWN-FRONT	FB01-56-231A	1		
76 724		RIVET	B092-51-833	6		

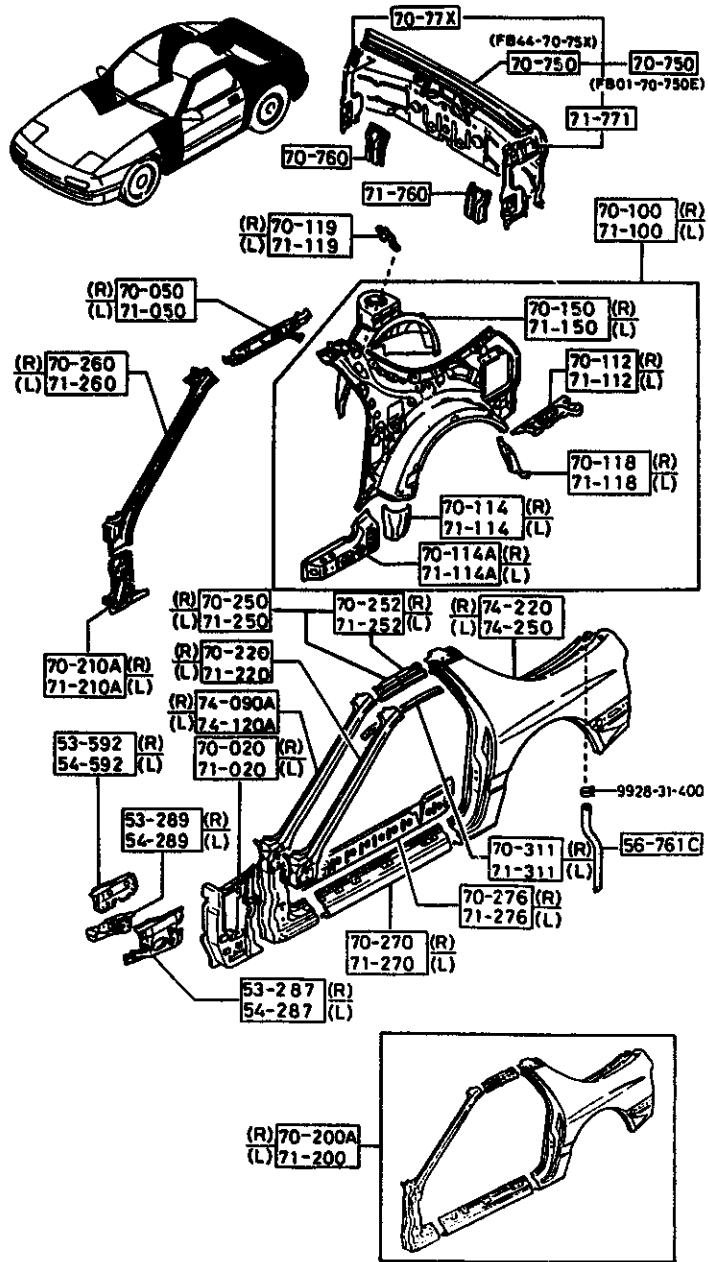
5330-1 BODY PANELS (DASH & COWL PANEL)



SUPPLEMENTARY EXPLANATION OF MODEL/RESTRICTION IN THE TEXT	
EXPRESSION IN THE TEXT	VEHICLE DISTINCTION
(NOR SUSP)	VEHICLE WITH 4 HOLES DISC WHEEL
(HARD SUSP) ((HARD SUSP) > (w/o A.A.SUSP)) ((HARD SUSP) > (A.A.SUSP))	VEHICLE WITH 5 HOLES DISC WHEEL

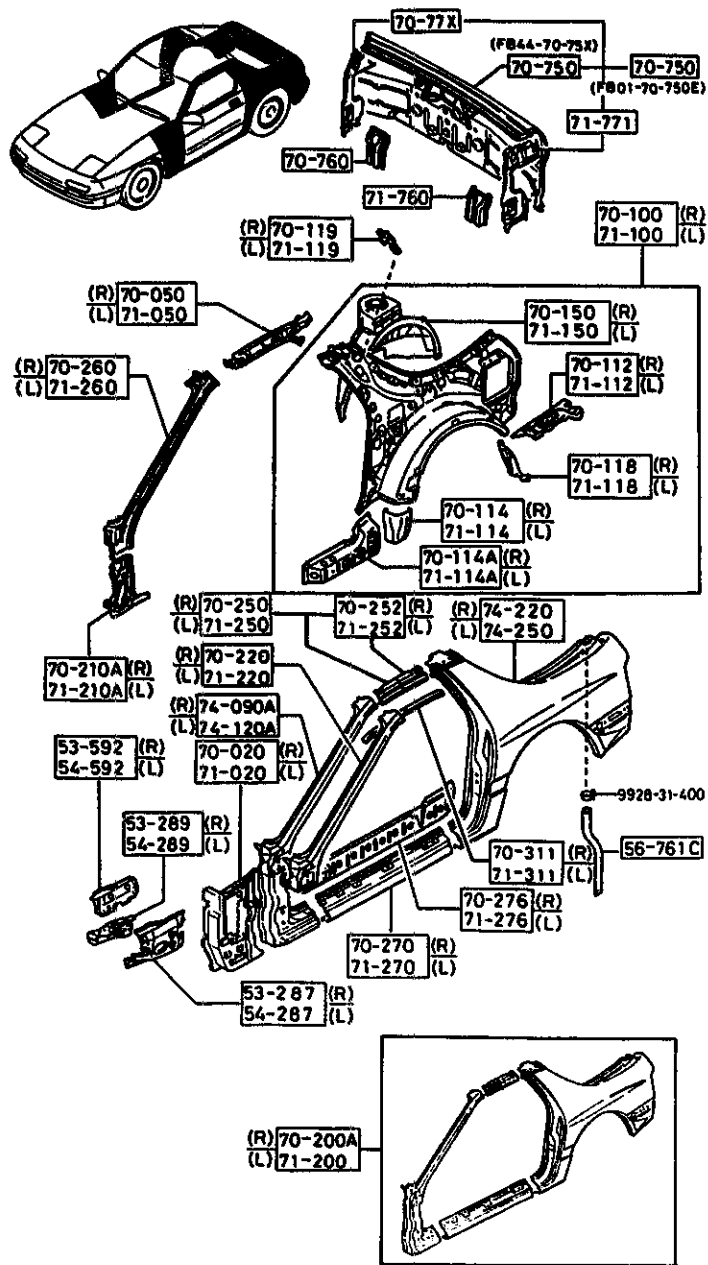
ITEM NO.	D-CODE	DESCRIPTION	PART NO.	QTY	MODEL/DESCRIPTION	REMARKS
53	400	PANEL, DASH-LOWER	FB55-54-400D	1	W/ ABS	
			FB01-54-400H	1	W/O TURBO, NORM. DIFF.	
			FB05-54-400H	1	L/S DIFF.	
			FB67-54-400E	1	CONV.	
			FB01-53-510C	1	COUPE	
53	510	PANEL, DASH-UPPER	FB67-53-510C	1	CONV.	
			FB01-70-613B	1		
70	613A	BRACKET (R), PILLAR GARNISH	FB01-70-613B	1		
71	613	BRACKET (L), PILLAR GARNISH	FB01-71-613B	1		
74	040	PANEL, COWL	FB01-70-610L	1	COUPE	
			FB67-70-610E	1	CONV.	

**5340A-1 BODY PANELS (SIDE)
(COUPE)**



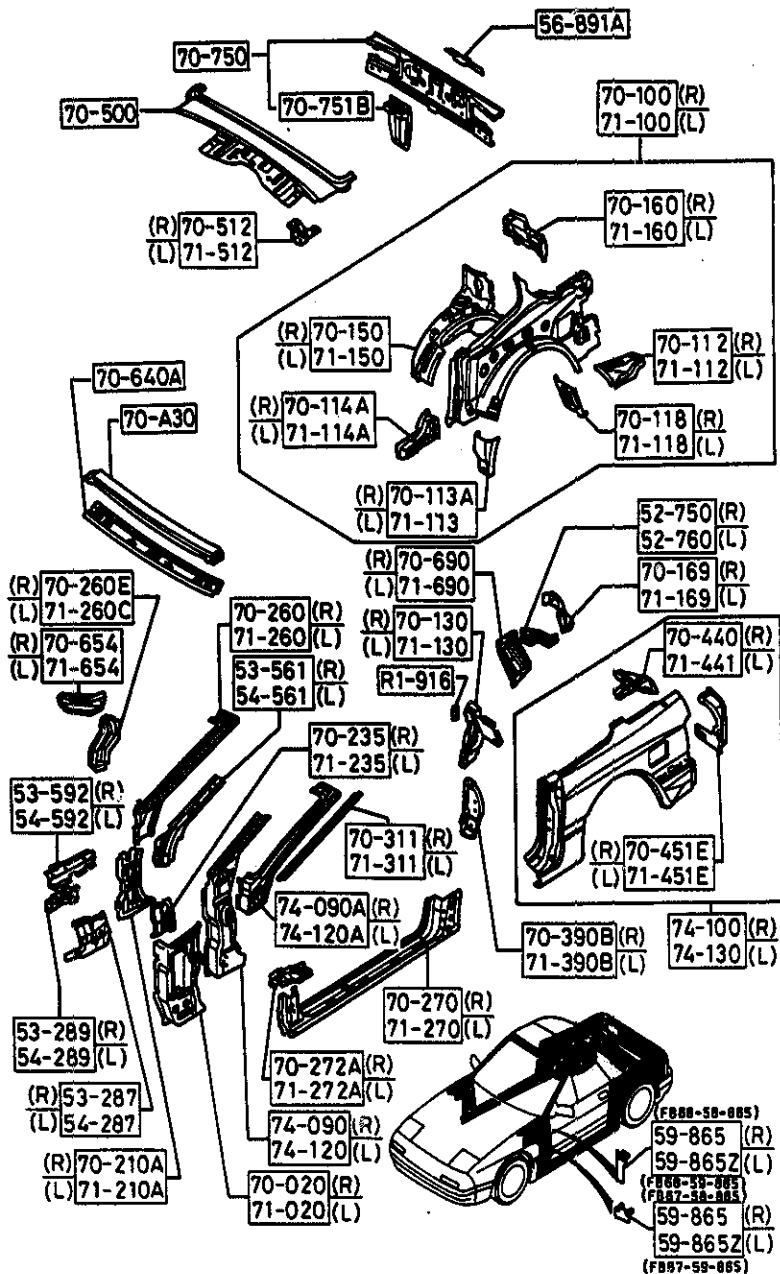
ITEM NO.	D-CODE	DESCRIPTION	PART NO.	QTY	MODEL/DESCRIPTION	REMARKS
53 287		REINFORCEMENT (R), COWL SIDE PANEL	FB01-53-287A	1		
53 289		REINFORCEMENT (R), COWL SIDE-INNER	FB01-53-289	1		
53 592		PLATE (UP., R), COWL SIDE-OUTER	FB01-53-592B	1		
54 287		REINFORCEMENT (L), COWL SIDE PANEL	FB01-54-287A	1		
54 289		REINFORCEMENT (L), COWL SIDE-INNER	FB01-54-289	1		
54 592		PLATE (UP., L), COWL SIDE-OUTER	FB01-54-592B	1		
56 761C		PIPE, DRAIN-REAR FENDER	FB01-56-761	2		
70 020		PANEL (R), COWL SIDE	FB01-70-210E	1		
70 050		RAIL (R), ROOF-INNER	FB01-70-050C	1	W/O SUNROOF	
			FB03-70-050C	1	W/ SUNROOF	
70 100		PANEL (R), QUARTER	FC11-70-100B	1		
70 112		PANEL (RR., R), QUARTER-LOWER	FB01-70-112A	1		
70 114		PLATE (R), END	FC01-70-113	1		
70 114A		JUNCTION (R), CORNER-QUARTER PANEL	FB01-70-114A	1		
70 118		PROTECTOR (R), SPLASH	FB01-70-118A	1		
70 119		BRACKET (R), TRIM-QUARTER PANEL	FB01-70-119A	1		
70 150		PANEL (R), WHEEL HOUSE	FC01-70-150B	1		
70 200A		FRAME (R), SIDE-OUTER	FBY4-70-200F	1		
70 210A		PILLAR (R), HINGE	FB01-70-020	1		
70 220		PILLAR (R, UP.), FRONT-OUTER	FB01-70-220D	1		
70 250		RAIL (R), ROOF-OUTER	FBY1-70-251	1		
70 260		PILLAR (R), FRONT-INNER	FC11-70-240	1		
70 270		PANEL (R), SIDE SILL	FBY1-70-271	1		
		<C>	FBY1-70-271A	1	REQUIRES PLUG: FB03-51-9A1	
70 276		REINFORCEMENT (R), SIDE SILL	FB01-70-273	1		
70 311		RAIL (R), RAIN	FB01-70-321A	1		
70 750		PANEL, REAR END	FC01-70-75X0	1		
70 760		TOWER (R), LOCK-REAR END PANEL	FB01-70-760C	1		
70 77X		PANEL (R), QUARTER-REAR END	FB01-70-77X	1		
71 020		PANEL (L), COWL SIDE	FB01-71-210F	1		
71 050		RAIL (L), ROOF-INNER	FB01-71-050C	1	W/O SUNROOF	
			FC03-71-050	1	W/ SUNROOF	
71 100		PANEL (L), QUARTER	FC11-71-100B	1		
71 112		PANEL (RR., L), QUARTER-LOWER	FB01-71-112D	1		
71 114		PLATE (L), END	FB01-71-113A	1		

**5340A-2 BODY PANELS (SIDE)
(COUPE)**



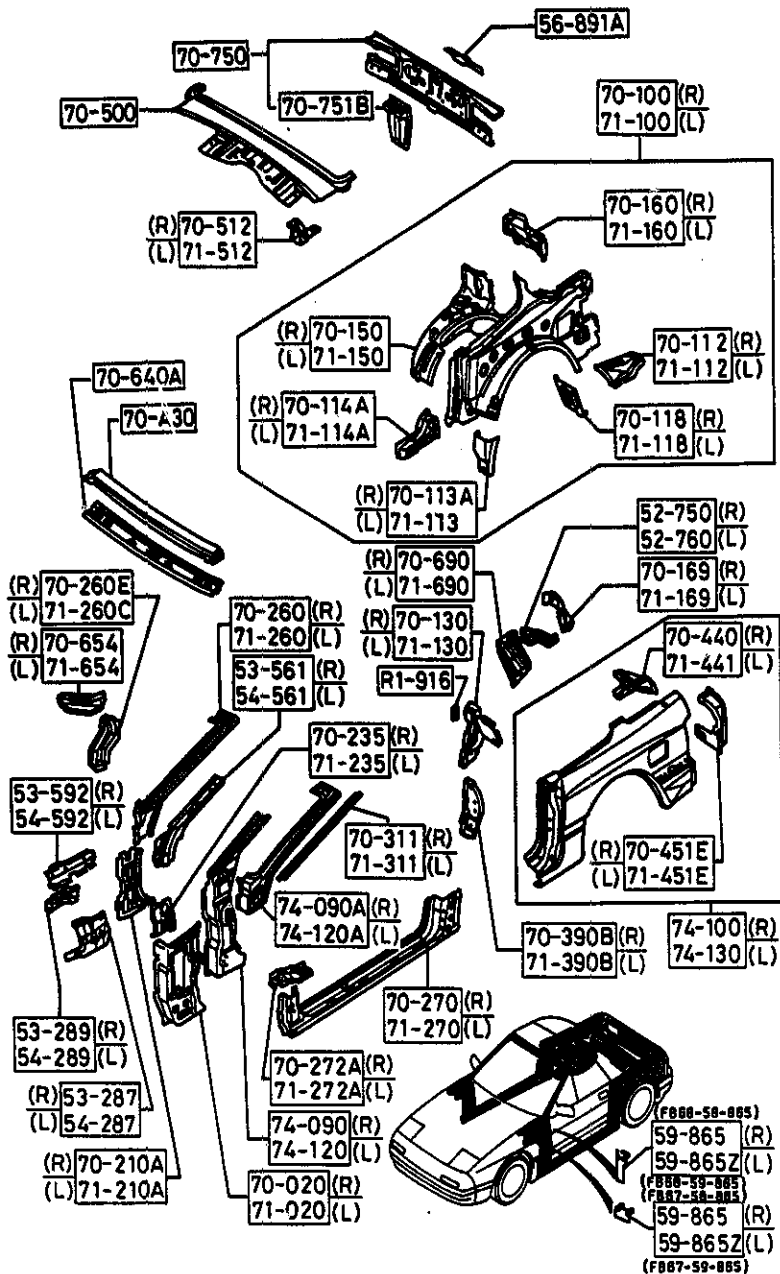
ITEM NO.	D-CODE	DESCRIPTION	PART NO.	QTY	MODEL/DESCRIPTION	REMARKS
71 114A		JUNCTION (L), CORNER-QUARTER PANEL	FB01-71-114A	1		
71 118		PROTECTOR (L), SPLASH	FB01-71-118A	1		
71 119		BRACKET (L), TRIM-QUARTER PANEL	FB01-71-119A	1		
71 150		PANEL (L), WHEEL HOUSE	FC01-71-150A	1		
71 200		FRAME (L), SIDE-OUTER	FBY4-71-200D	1		
71 210A		PILLAR (L), HINGE	FB01-71-020	1		
71 220		PILLAR (L, UP.), FRONT-OUTER	FB01-71-220D	1		
71 250		RAIL (L), ROOF-OUTER	FBY1-71-251	1		
71 260		PILLAR (L), FRONT-INNER	FC11-71-240	1		
71 270		PANEL (L), SIDE SILL	FBY1-71-271	1		
		< C >	FBY1-71-271A	1	REQUIRES PLUG: FB03-51-9A1	
71 276		REINFORCEMENT (L), SIDE SILL	FB01-71-273	1		
71 311		RAIL (L), RAIN	FB01-71-321A	1		
71 760		TOWER (L), LOCK-REAR END PANEL	FB01-71-760B	1		
71 771		PANEL (L), QUARTER-REAR END	FB01-71-771A	1		
74 090A		PILLAR (R), FRONT-OUTER	FBY1-70-210C	1		
74 120A		PILLAR (L), FRONT-OUTER	FBY1-71-210C	1		
74 220		PANEL (R), FENDER-REAR	FBY4-70-400E	1		
74 250		PANEL (L), FENDER-REAR	FBY4-71-400C	1		

**5340AA-2 BODY PANELS (SIDE)
(CONVERTIBLE)**



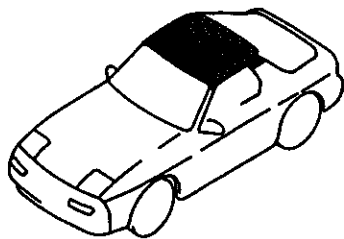
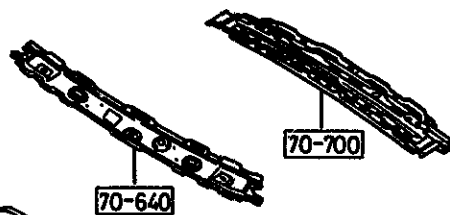
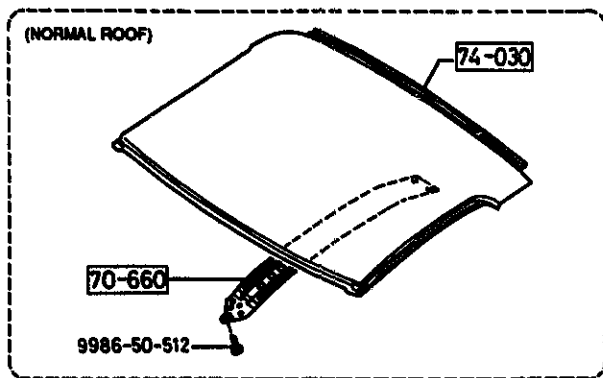
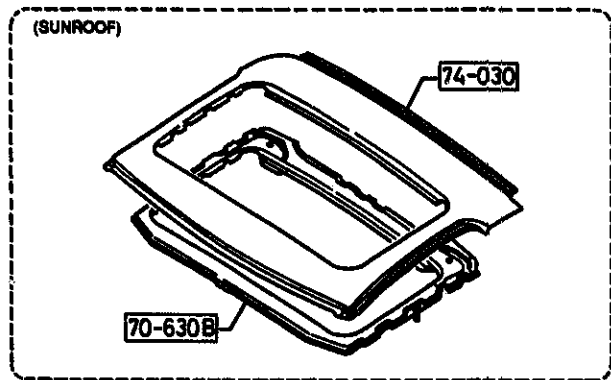
ITEM NO.	D-CODE	DESCRIPTION	PART NO.	QTY	MODEL/DESCRIPTION	REMARKS
70 440		PLATE (R), CORNER	FB67-70-441A	1		
70 451E		HOUSING (R), LAMP-REAR FENDER	FB67-70-491A	1		
70 500		TRAY, PACKAGE	FB67-70-500D	1		
70 512		BRACKET (R), TRIM-QUARTER PANEL	FB67-70-512	1		
70 640A		HEADER, FRONT-INNER	FB67-70-640A	1		
70 654		GUSSET (L), INSTRUMENT PANEL-DASH	FB67-70-654	1		
70 690		GUSSET (R), WHEEL HOUSE	FB67-70-690A	1		
70 750		PANEL, REAR END	FB67-70-750C	1		
70 751B		MEMBER, REAR END	FB67-70-752	1		
70 A30		HEADER, FRONT-OUTER	FB67-70-631B	1		
71 020		PANEL (L), COWL SIDE	FB67-71-230C	1		
71 100		PANEL (L), QUARTER	FC33-71-100A	1		
71 112		PANEL (RR., L), QUARTER-LOWER	FB01-71-112D	1		
71 113		PLATE (L), SEAL	FB67-71-113	1		
71 114A		JUNCTION (L), CORNER-QUARTER PANEL	FB67-71-114	1		
71 118		PROTECTOR (L), SPLASH	FB01-71-118A	1		
71 130		BRACKET (L), FORMING BAR	FB67-71-130D	1		
71 150		PANEL (L), WHEEL HOUSE	FB67-71-150B	1		
71 160		PLATE (L), REAR CORNER-INNER	FB67-71-160B	1		
71 169		REINFORCEMENT (L), QUARTER PANEL-REAR	FB67-71-169A	1		
71 210A		PILLAR (L), HINGE	FB67-71-020B	1		
71 235		GUSSET (L), HINGE PILLAR	FB67-54-698	1		
71 260		PILLAR (L), FRONT-INNER	FB67-71-240A	1		
71 260C		BRACKET (L), INSTRUMENT	FB67-71-260	1		
71 270		PANEL (L), SIDE SILL	FB67-71-270B	1		
71 272A		PLATE (L), FIXING-SIDE SILL	FB67-71-272	1		
71 311		RAIL (L), RAIN	FB67-71-222A	1		
71 390B		REINFORCEMENT (L), STRIKER	FB67-71-420	1		
71 441		PLATE (L), CORNER	FB67-71-441A	1		
71 451E		HOUSING (L), LAMP-REAR FENDER	FB67-71-491A	1		
71 512		BRACKET (L), TRIM-QUARTER PANEL	FB67-71-512	1		
71 654		GUSSET (L), INSTRUMENT PANEL-DASH	FB67-71-654	1		
71 690		GUSSET (L), WHEEL HOUSE	FB67-71-690A	1		
74 090		PILLAR (R), HINGE-OUTER	FB67-70-210A	1		
74 090A		PILLAR (R), FRONT-OUTER	FB67-70-220B	1		
74 100		PANEL (R), FENDER-REAR	FC33-70-400	1		

**5340AA-3 BODY PANELS (SIDE)
(CONVERTIBLE)**



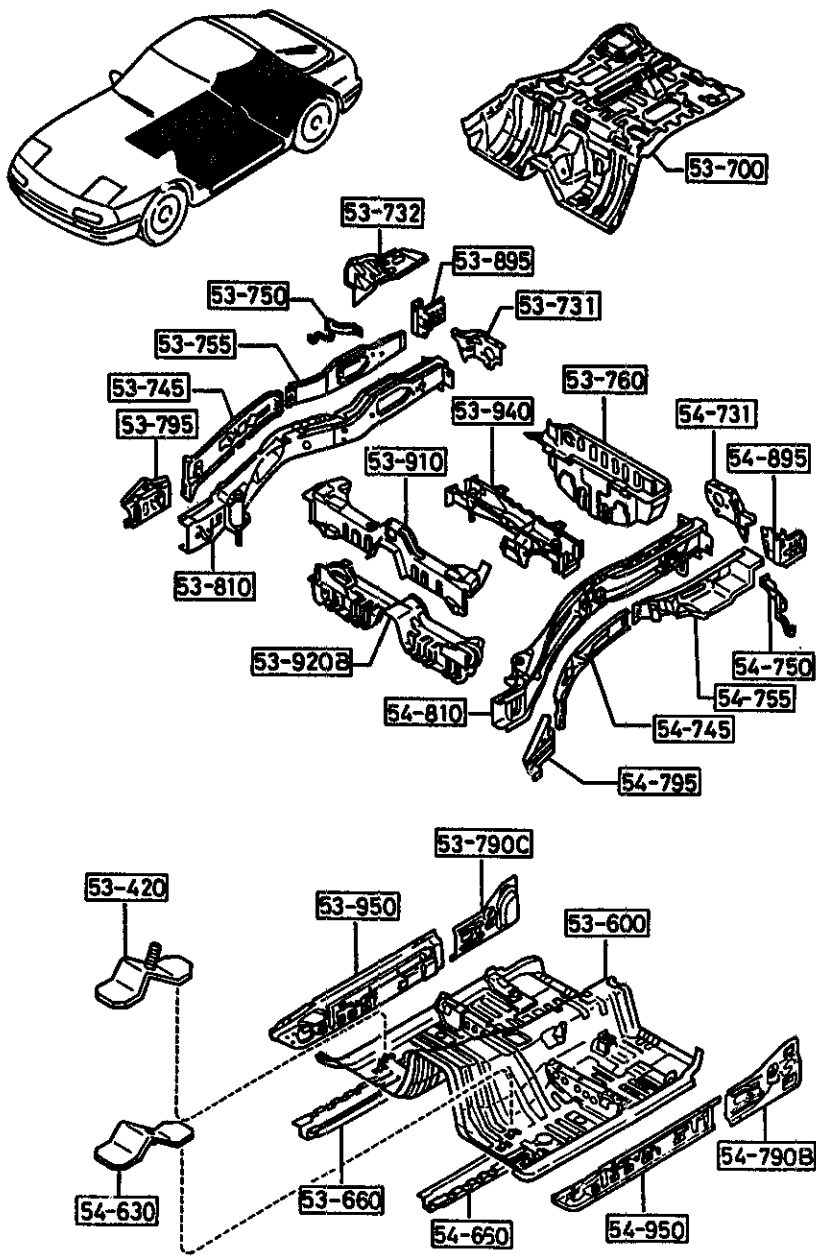
ITEM NO.	D-CODE	DESCRIPTION	PART NO.	QTY	MODEL/DESCRIPTION	REMARKS
74 120		PILLAR (L), HINGE-OUTER	FB67-71-210A	1		
74 120A		PILLAR (L), FRONT-OUTER	FB67-71-220B	1		
74 130		PANEL (L), FENDER-REAR	FB67-71-400G	1		
R1 916		PLATE, SET-HINGE BRACKET	FB67-R1-916	2		

**5360A-1 BODY PANELS (ROOF)
(COUPE)**



ITEM NO.	D-CODE	DESCRIPTION	PART NO.	QTY	MODEL/DESCRIPTION	REMARKS
70 630B		PLATE, FIXING	FB03-70-630E	1	W/ SUNROOF	
70 640		HEADER, FRONT	FB01-70-640A	1		
70 660		REINFORCEMENT, ROOF	FB01-70-609A	1	W/O SUNROOF	
70 700		HEADER, REAR	FB01-70-700C	1		
74 030		PANEL, ROOF	FC01-70-601	1	W/O SUNROOF	
			FC03-70-601	1	W/ SUNROOF	

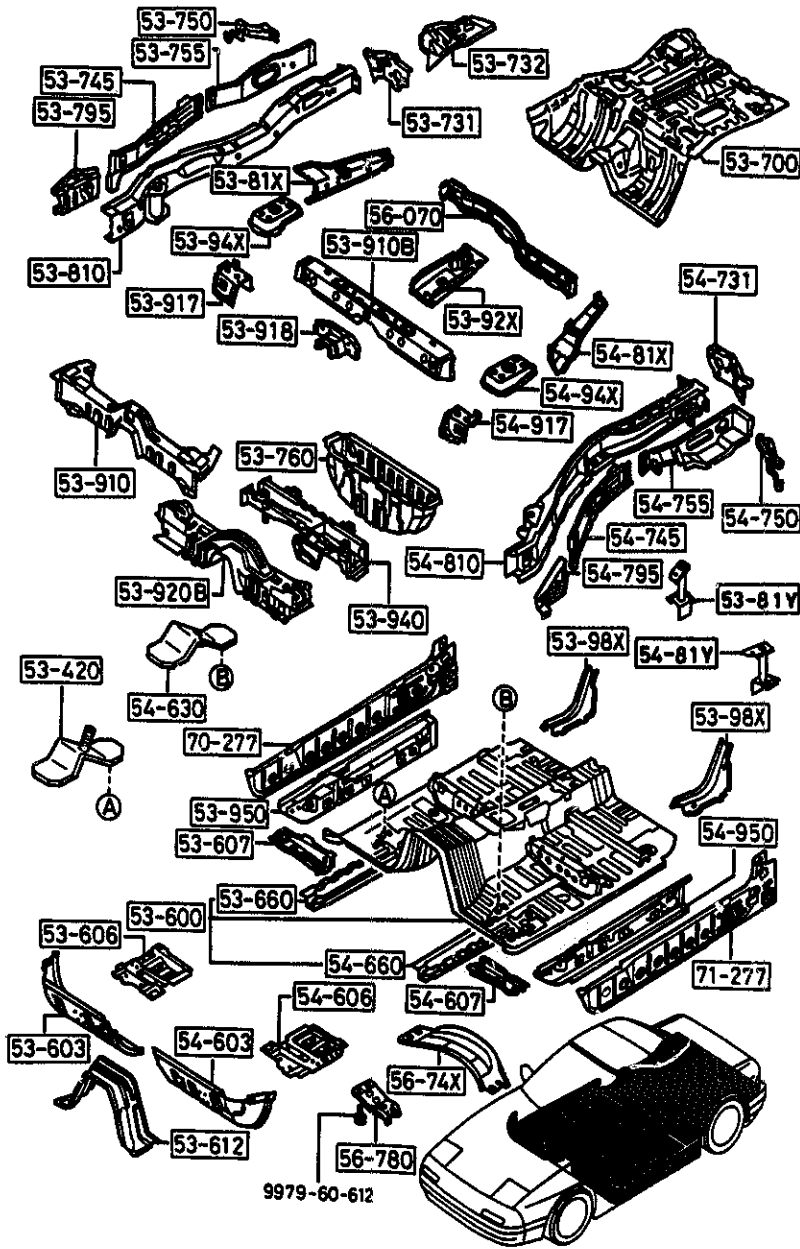
**5370-1 BODY PANELS (FLOOR)
(COUPE)**



ITEM NO.	D-CODE	DESCRIPTION	PART NO.	QTY	MODEL/DESCRIPTION	REMARKS
53 420		BRACKET 'A', CONTROL UNIT	FB01-53-685	2		5901-
53 600		PAN, FLOOR-FRONT	FB01-53-600F	1	M/T	
			FB02-53-600D	1	A/T	
53 660		FRAME (RR., R), FRONT	FB01-53-660	1		
53 700		PAN, FLOOR-REAR	FC01-53-710A	1		
53 731		PLATE (R), SEAL-RR. SIDE FRAME	FB01-53-731B	1		
53 732		PANEL (R), SIDE-RR. FLOOR	FB01-53-732	1		
53 745		PLATE 'A' (R), CLOSING-FRONT	FB01-53-745C	1		
53 750		BRACKET (R), SILENCER-SIDE PANEL	FB01-53-750B	1		
53 755		PLATE 'A' (R), CLOSING-REAR	FB01-53-755	1		
53 760		PAN, SPARE TIRE	FB01-53-760H	1		
53 790C		PLATE 'B' (R), CLOSING-FRAME	FB01-53-790	1		
53 795		PLATE 'C' (R), CLOSING-FRAME	FB01-53-796	1		
53 810		FRAME (R), REAR SIDE	FB01-53-810L	1		
53 895		GUSSET (R), LOCK TOWER	FB01-53-895B	1		
53 910		MEMBER NO. 3, CROSS-UPPER	FC01-53-910	1		
53 920B		MEMBER NO. 3, CROSS-LOWER	FB01-53-920C	1		
53 940		MEMBER NO. 4, CROSS	FC01-53-930A	1		
53 950		PANEL (R), SIDE SILL	FB01-53-951	1		
54 630		BRACKET 'B', CONTROL UNIT	FB01-54-685	2		5901-
54 660		FRAME (RR., L), FRONT	FC01-54-660	1		
54 731		PLATE (L), SEAL-RR. SIDE FRAME	FB01-54-731B	1		
54 745		PLATE 'A' (L), CLOSING-FRONT	FC01-54-74K	1		
54 750		BRACKET (L), SILENCER-SIDE PANEL	FB01-54-750B	1		
54 755		PLATE 'A' (L), CLOSING-REAR	FC01-54-75Y	1		
54 790B		PLATE 'B' (L), CLOSING-FRAME	FB01-54-790	1		
54 795		PLATE 'C' (L), CLOSING-FRAME	FB01-54-796	1		
54 810		FRAME (L), REAR SIDE	FB01-54-810M	1		
54 895		GUSSET (L), LOCK TOWER	FB01-54-895B	1		
54 950		PANEL (L), SIDE SEAL	FB01-54-950	1		

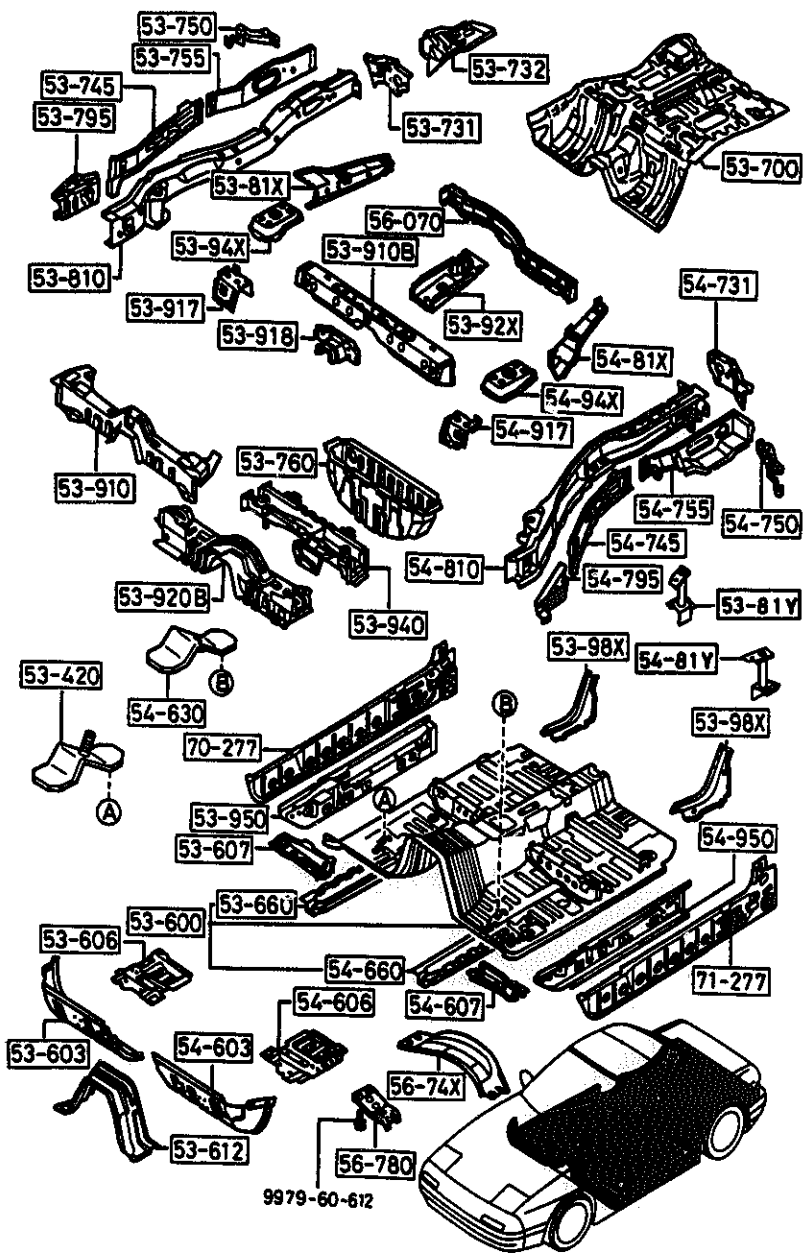
5901 FC33* -102044

**5370A-1 BODY PANELS (FLOOR)
(CONVERTIBLE)**



ITEM NO.	D-CODE	DESCRIPTION	PART NO.	QTY	MODEL/DESCRIPTION	REMARKS
53 420		BRACKET 'A', CONTROL UNIT	FB01-53-685	2		
53 600		PAN, FLOOR-FRONT	FC33-53-600A	1		
53 603		REINFORCEMENT 'A' (R), FRONT FLOOR	FB67-53-603A	1		
53 606		REINFORCEMENT 'B' (R), FRONT FLOOR	FB67-53-606	1		
53 607		REINFORCEMENT 'C' (R), FRONT FLOOR	FB67-53-607A	1		
53 612		REINFORCEMENT, TUNNEL-FRONT	FB67-53-612A	1		
53 660		FRAME (RR., R), FRONT	FB67-53-660	1		
53 700		PAN, FLOOR-REAR	FB01-53-710F	1		
53 731		PLATE (R), SEAL-REAR SIDE FRAME	FB01-53-731B	1		
53 732		PANEL (R), SIDE-REAR FLOOR	FB01-53-732A	1		
53 745		PLATE 'A' (R), CLOSING-FRONT	FB67-53-74XA	1		
53 750		BRACKET (R), SILENCER-SIDE PANEL	FB67-53-750A	1		
53 755		PLATE 'A' (E), CLOSING-REAR	FC33-53-75X	1		
53 760		PAN, SPARE TIRE	FB67-53-760B	1		
53 795		PLATE 'C' (R), CLOSING-FRAME	FB01-53-796	1		
53 810		FRAME (R), REAR SIDE	FB67-53-810A	1		
53 81X		FRAME (R), REAR SIDE-UPPER	FB67-53-81XA	1		
53 910		MEMBER NO. 3, CROSS-UPPER	FB01-53-910C	1		
53 910B		REINFORCEMENT, CROSS MEMBER NO. 3-UPPER	FB67-53-910B	1		
53 917		REINFORCEMENT (R), NO. 3 MEMBER-UPPER	FB67-53-917	1		
53 918		REINFORCEMENT, TUNNEL-REAR	FB67-53-918	1		
53 920B		MEMBER NO. 3, CROSS-LOWER	FB67-53-920	1		
53 92X		REINFORCEMENT, SPARE TIRE	FB67-53-92X	1		
53 940		MEMBER NO. 4, CROSS	FB01-53-930J	1		
53 94X		BRACKET (R), MOTOR-SIDE FRAME	FB67-53-94X	1		
53 950		PANEL (R), SIDE SILL	FB67-53-950	1		
53 98X		GUSSET, FRONT FLOOR PAN	FB67-53-98XA	2		
54 603		REINFORCEMENT 'A' (L), FRONT FLOOR	FB67-54-603A	1		
54 606		REINFORCEMENT 'B' (L), FRONT FLOOR	FB67-54-606	1		
54 607		REINFORCEMENT 'C' (L), FRONT FLOOR	FB67-54-607A	1		
54 630		BRACKET 'B', CONTROL UNIT	FB01-54-685	2		
54 660		FRAME (RR., L), FRONT	FB67-54-660	1		
54 731		PLATE (L), SEAL-REAR SIDE FRAME	FB01-54-731B	1		
54 745		PLATE 'A' (L), CLOSING-FRONT	FB67-54-74XA	1		

**5370A-2 BODY PANELS (FLOOR)
(CONVERTIBLE)**



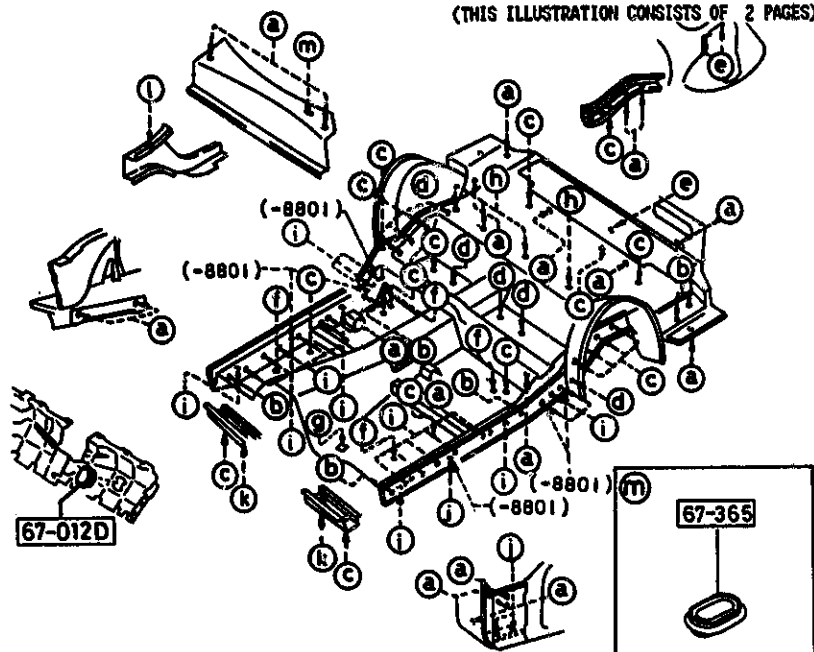
ITEM NO.	D-CODE	DESCRIPTION	PART NO.	QTY	MODEL/DESCRIPTION	REMARKS
54 750		BRACKET (L), SILENCER-SIDE PANEL	FB67-54-750A	1		
54 755		PLATE 'A' (L), CLOSING-REAR	FB67-54-75X	1		
54 795		PLATE 'C' (L), CLOSING-FRAME	FB01-54-796	1		
54 810		FRAME (L), REAR SIDE	FB67-54-810	1		
54 81X		FRAME (L), REAR SIDE-UPPER	FB67-54-81XA	1		
54 917		REINFORCEMENT (L), NO. 3 MEMBER-UPPER	FB67-54-917	1		
54 94X		BRACKET (L), MOTOR-SIDE FRAME	FB67-54-94X	1		
54 950		PANEL (L), SIDE SEAL	FB67-54-950	1		
56 070		PANEL, BULK HEAD	FB67-53-726A	1		
56 74X		MEMBER, FRONT FLOOR	FB67-56-74XA	1		
56 780		GUSSET, FRONT FLOOR	FB67-56-780	2		
70 277		REINFORCEMENT (R), SIDE SILL	FB67-53-790	1		
71 277		REINFORCEMENT (L), SIDE SILL	FB67-54-790	1		

SECTION INDEX -- BODY

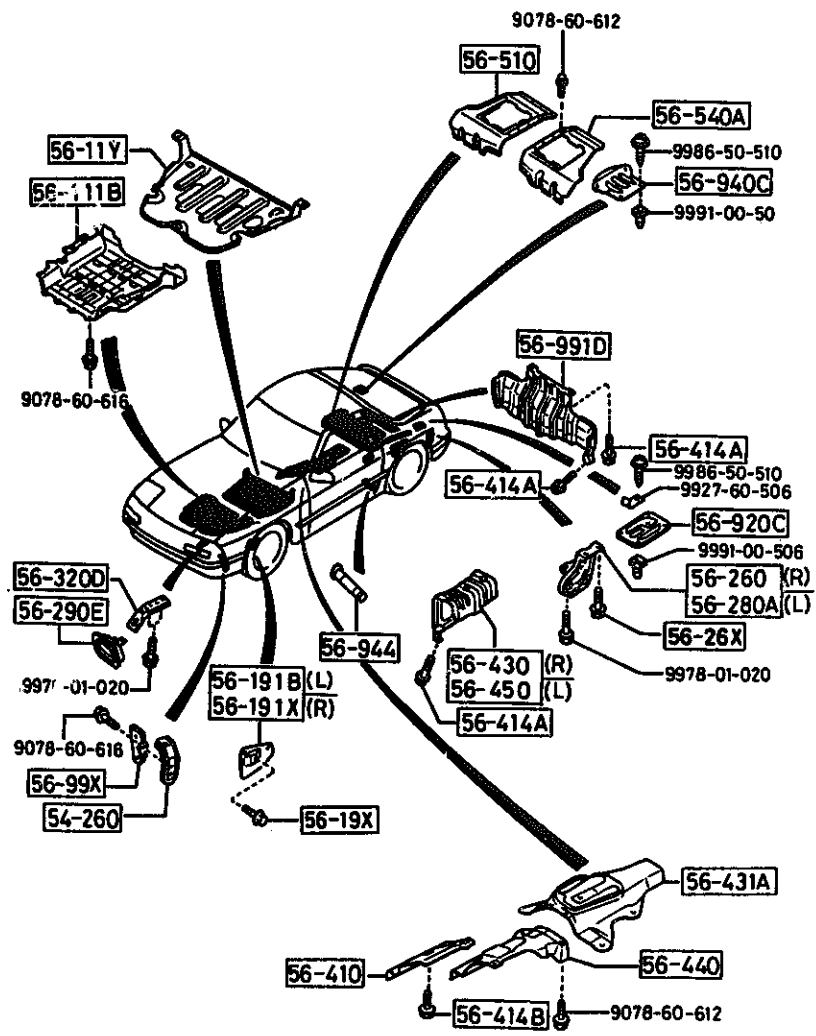
DRAWING LOCATION	SCT. NO.	SECTION NAME	DRAWING LOCATION	SCT. NO.	SECTION NAME	DRAWING LOCATION	SCT. NO.	SECTION NAME
2 - C 3	0900A	KEY SETS	2 - K 6	5520	METER HOOD	2 - L14	6230	LIFT GATE MECHANISMS (COUPE)
2 - E 3	5000	FRONT BUMPER	2 - L 6	5530	SPEEDOMETER CABLE	2 - N14	6300A	WINDOW GLASSES
2 - F 3	5005	RADIATOR GRILLE	2 - M 6	5540	METER COMPONENTS (COUPE) (W/O ANTI-LOCK BRAKE SYSTEM)	2 - C15	6330	SUNROOF (COUPE)
2 - G 3	5010A	REAR BUMPER				2 - E15	6330A	SOFT TOP (CONVERTIBLE)
2 - H 3	5030A	WINDOW MOULDINGS	2 - C 7	5540A	METER COMPONENTS (COUPE) (ANTI-LOCK BRAKE SYSTEM)	2 - G15	6600B	SWITCHES & RELAYS (ENGINE) (W/O TURBO)
2 - I 3	5040A	BODY MOULDINGS	2 - E 7	5540B	METER COMPONENTS (CONVERTIBLE)	2 - J15	6600BA	SWITCHES & RELAYS (ENGINE) (TURBO)
2 - J 3	5060A	SIDE PROTECTORS	2 - F 7	5560	DASHBOARD & RELATED PARTS	2 - M15	6610	DASHBOARD SWITCHES (MANUAL OPERATING)
2 - K 3	5100	HEAD LAMPS	2 - I 7	5570	CONSOLE	2 - N15	6611	COMBINATION SWITCH
2 - L 3	5103	HEAD LAMP RETRACTORS	2 - K 7	5580	VENTILATOR	2 - C16	6612	CLUSTER SWITCH
2 - M 3	5105	FRONT COMBINATION LAMPS	2 - C 8	5700A	FRONT SEATS (COUPE)	2 - D16	6615	POWER WINDOW SWITCHES
2 - C 4	5110A	REAR COMBINATION LAMPS	2 - C 9	5700AA	FRONT SEATS (COUPE) (LEATHER)	2 - E16	6620	DOOR SWITCH
2 - E 4	5120	LICENSE LAMPS	2 - C10	5700AB	FRONT SEATS (CONVERTIBLE) (CLOTH)	2 - F16	6630	RELAYS & CPU (BODY)
2 - F 4	5125	INTERIOR LAMPS	2 - F10	5700AC	FRONT SEATS (CONVERTIBLE) (LEATHER)	2 - G16	6635	HORNS
2 - G 4	5130	OVERHEAD CONSOLE (COUPE)	2 - J10	5750A	REAR SEATS (CLOTH)	2 - H16	6640	AUTO CRUISE CONTROL SYSTEM
2 - H 4	5170	ORNAMENTS	2 - C11	5750AA	REAR SEATS (LEATHER)	2 - I16	6680	AUDIO SYSTEMS (RADIO & TAPE DECK)
2 - I 4	5180	COWL & EXTRACTOR GILLES	2 - H11	5790A	SEAT BELTS			
2 - K 4	5230	HOOD	2 - J11	5800A	FRONT DOORS (COUPE)			
2 - L 4	5260	TRUNK LID (CONVERTIBLE)	2 - K11	5800AA	FRONT DOORS (CONVERTIBLE)			
2 - M 4	5310	BODY PANELS (FRONT) (COUPE)	2 - C12	5830A	FRONT DOOR MECHANISMS (COUPE)			
2 - N 4	5310A	BODY PANELS (FRONT) (CONVERTIBLE)	2 - H12	5830AA	FRONT DOOR MECHANISMS (CONVERTIBLE)			
2 - C 5	5320	BODY PANELS (FENDER & WHEEL APRON) (COUPE)	2 - C13	5840A	FRONT DOOR TRIMS & RELATED PARTS (COUPE)			
2 - D 5	5320B	BODY PANELS (FENDER & WHEEL APRON) (CONVERTIBLE)	2 - K13	5840AB	FRONT DOOR TRIMS & RELATED PARTS (CONVERTIBLE)			
2 - E 5	5330	BODY PANELS (DASH & COWL PANEL)	2 - N13	6100	HEATER			
2 - F 5	5340A	BODY PANELS (SIDE) (COUPE)	2 - C14	6110	HEATER UNIT COMPONENTS			
2 - H 5	5340AA	BODY PANELS (SIDE) (CONVERTIBLE)	2 - D14	6115	HEATER CONTROLS COMPONENTS			
2 - K 5	5360A	BODY PANELS (ROOF) (COUPE)	2 - E14	6120	HEATER BLOWER COMPONENTS			
2 - L 5	5370	BODY PANELS (FLOOR) (COUPE)	2 - F14	6130	AIR CONDITIONER (W/O AIR CONDITIONER)			
2 - M 5	5370A	BODY PANELS (FLOOR) (CONVERTIBLE)	2 - G14	6132A	CONDENSER PACKAGE			
2 - C 6	5390	FLOOR ATTACHMENTS (COUPE)	2 - I14	6142A	COMPRESSOR MOUNTING KIT, COMPRESSOR/CLUTCH ASSEMBLY & REPAIR PARTS			
2 - E 6	5390A	FLOOR ATTACHMENTS (CONVERTIBLE)	2 - J14	6152A	EVAPORATOR PACKAGE			
2 - G 6	5500	DASHBOARD EQUIPMENTS (COUPE) (W/O ANTI-LOCK BRAKE SYSTEM)	2 - K14	6200	LIFT GATE			
2 - I 6	5500A	DASHBOARD EQUIPMENTS (COUPE) (ANTI-LOCK BRAKE SYSTEM)						
2 - J 6	5500B	DASHBOARD EQUIPMENTS (CONVERTIBLE)						

(THIS ILLUSTRATION CONSISTS OF 2 PAGES)

(THIS ILLUSTRATION CONSISTS OF 2 PAGES)



a	b	c	d
56-242	56-971K	56-052	56-112B
e	f	g	h
56-639	56-971	56-051	9078-60-620
i	j	k	l
56-241B	43-095	56-241J	9978-60-816



**5390-2 FLOOR ATTACHMENTS
(COUPE)**

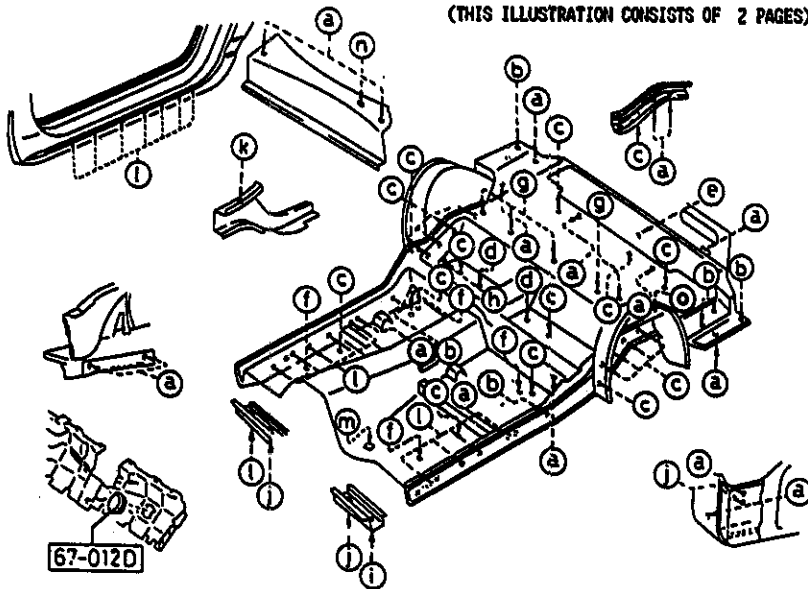
SEE ILLUSTRATION/S AT FRAME 2 - C 8

ITEM NO.	D-CODE	DESCRIPTION	PART NO.	QTY	MODE/DESCRIPTION	REMARKS
43 095		GROMMET	H001-43-095	4		
54 260		BRACKET, BATTERY	FB01-56-990A	1		
56 051		COVER, HOLE	1011-56-051	2		
56 052		PLUG, DRAIN	FB01-56-056	23		-6801
				21		6801-
56 111B		COVER, UNDER-FRONT	FB01-56-111C	1		
56 112B		PLUG, DRAIN	FB01-56-057	4		
56 11Y		COVER, UNDER-REAR	FB43-56-112D	1		
56 191B		SHIELD (L), SPLASH-SIDE FRAME	FB01-56-191A	1		
56 191X		SHIELD (R), SPLASH-SIDE FRAME	FB01-56-192A	1		
56 19X		BOLT, SPLASH SHIELD	FB01-56-19XA	4	M/T W/ SUNROOF	
56 241B		PLUG	8001-56-051	22		
56 241J		PLUG, DRAIN	8477-56-241	2		
56 242		PLUG, DRAIN	0118-56-242B	28	W/ SUNROOF	
				30	W/O SUNROOF	
56 260		HOOK (R), REAR	FB01-56-260C	1		
56 26X		BOLT, REAR HOOK	FB01-56-26X	10		6601-
56 280A		HOOK (L), REAR	FB01-56-280C	1		
56 290E		COVER, TOWING HOOK	FB01-56-290	1		
56 320D		HOOK, TOWING	FB01-56-241	1		
56 410		INSULATOR, HEAT-FRONT	FB01-56-410B	1		
56 414A		BOLT, SILENCER	FB01-56-416	10		
56 414B		BOLT, INSULATOR-FRONT HEAT	FB01-56-414	11		
56 430		INSULATOR (R)	FB01-56-460B	1		
56 431A		INSULATOR NO. 3, FRONT	FB01-56-430C	1		
56 440		INSULATOR NO. 2, FRONT	FB01-56-420A	1		
56 450		INSULATOR (L)	FB01-56-450D	1		
56 510		DECK (R), FLOOR	FC11-56-510A	1		
56 540A		DECK (L), FLOOR	FC11-56-521A	1		
56 639		COVER, SERVICE HOLE	0810-56-639	3		
56 920C		COVER (L), SERVICE-REAR FLOOR	FB01-56-920	1		
56 940C		COVER (R), SERVICE-REAR FLOOR	FB01-56-940	1		
56 944		COLLAR, HARNESS-SIDE SILL	FB01-56-944	2		
56 971		COVER, HOLE	0866-56-971	4		
56 991D		INSULATOR, TANK-FUEL	FB01-56-470A	1		
56 99X		SEAL, SIDE FRAME & BATTERY BRACKET	FB01-56-99XC	1		
66 971K		GROMMET	0222-66-971	6		
67 012D		GROMMET	S083-67-012A	2		5A01-6801
				1		6801-

5A01 FC33* -107570
6601 FC33* -152302
6801 FC33* -507386
6801 FC33* -522333

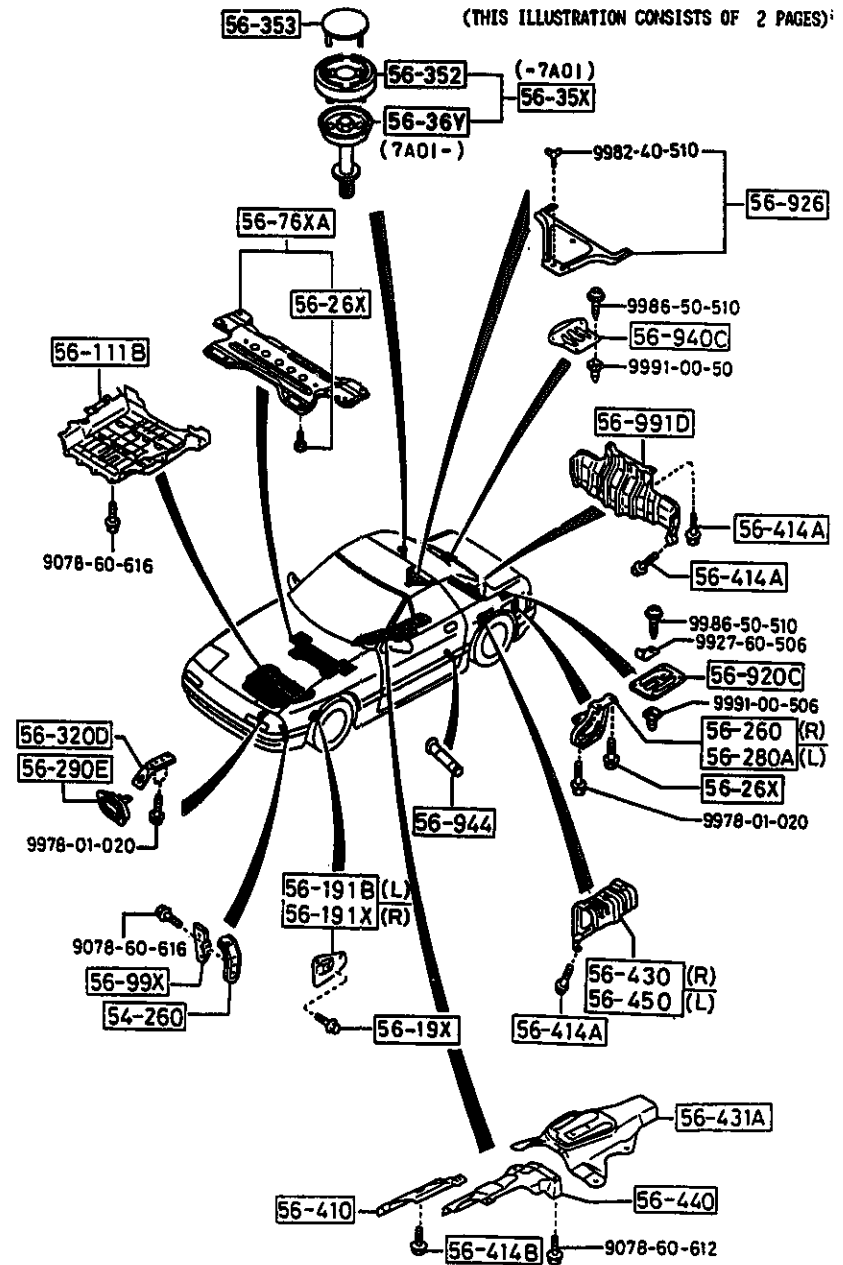
5390A-1 FLOOR ATTACHMENTS (CONVERTIBLE)

(THIS ILLUSTRATION CONSISTS OF 2 PAGES)



a 56-242	b 66-971K	c 56-052	d 56-112B	e 56-639
f 56-971	g 9078-60-620	h 67-506B	i 56-241J	k 9978-60-816
l 56-054	m 56-051	n 67-365	o 45-961B	

(THIS ILLUSTRATION CONSISTS OF 2 PAGES)



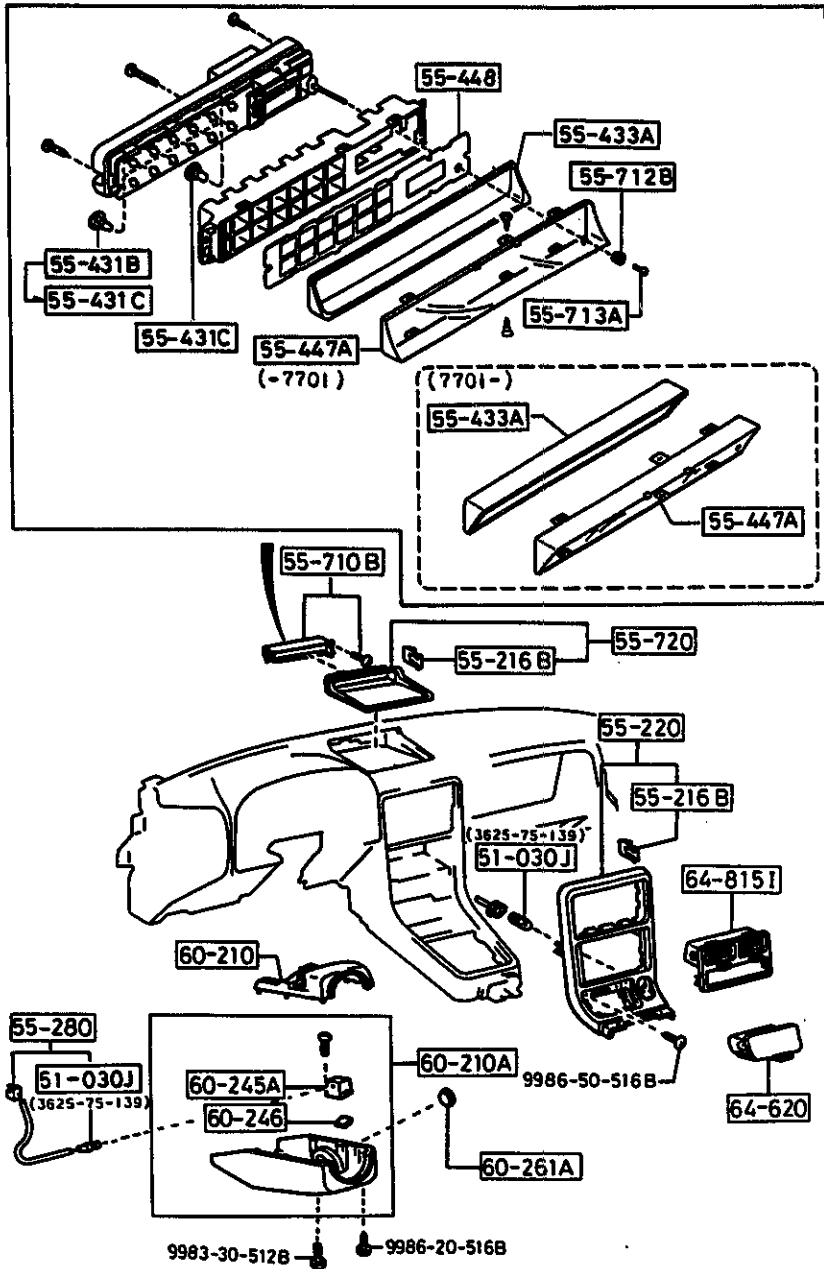
**5390A-2 FLOOR ATTACHMENTS
(CONVERTIBLE)**

ITEM NO.	D-CODE	DESCRIPTION	PART NO.	QTY	MODEL/DESCRIPTION	REMARKS
	54 260	BRACKET, BATTERY	FB01-56-990A	1		
	56 051	COVER, HOLE	1011-56-051	2		
	56 052	PLUG, DRAIN	FB01-56-056	21		
	56 054	PLUG, HOLE	FB67-56-051	24		
	56 111B	COVER, UNDER-FRONT	FB01-56-111C	1		
	56 112B	PLUG, DRAIN	FB01-56-057	2		
	56 191B	SHIELD (L), SPLASH-SIDE FRAME	FB01-56-191A	1		
	56 191X	SHIELD (R), SPLASH-SIDE FRAME	FB01-56-192A	1		
	56 19X	BOLT, SPLASH SHIELD	FB01-56-19X	4		
	56 241J	PLUG, DRAIN	8477-56-241	4		
	56 242	PLUG, DRAIN	0118-56-242B	28		
	56 260	HOOK (R), REAR	FB01-56-260C	1		
	56 26X	BOLT, REAR HOOK	FB01-56-26X	18		
	56 280A	HOOK (L), REAR	FB01-56-280C	1		
	56 290E	COVER, TOWING HOOK	FB01-56-290	1		
	56 320D	HOOK, TOWING	FB01-56-241	1		
	56 410	INSULATOR, HEAT-FRONT	FB01-56-410B	1		
	56 414A	BOLT, SILENCER	FB01-56-416	10		
	56 414B	BOLT, INSULATOR-FRONT HEAT	FB01-56-414	11		
	56 430	INSULATOR (R)	FB01-56-460B	1		
	56 431A	INSULATOR NO. 3, FRONT	FB01-56-430C	1		
	56 440	INSULATOR NO. 2, FRONT	FB01-56-420A	1		
	56 450	INSULATOR (L)	FB01-56-450B	1		
	56 639	COVER, SERVICE HOLE	0810-56-639	1		
	56 76XA	MEMBER, CROSS-FRONT FRAME	FB67-56-76XB	1		
	56 920C	COVER (L), SERVICE-REAR FLOOR	FB01-56-920	1		
	56 926	COVER, TOOL BOX	FB67-56-926	1		
	56 940C	COVER (R), SERVICE-REAR FLOOR	FB01-56-940	1		
	56 944	COLLAR, HARNESS-SIDE SILL	FB01-56-944	2		
	56 971	COVER, HOLE	0866-56-971	4		
	56 991D	INSULATOR, TANK-FUEL	FB01-56-470A	1		
	56 99X	SEAL, SIDE FRAME & BATTERY BRACKET	FB01-56-99XC	1		
	66 971K	GROMMET	0222-66-971	6		
	67 012D	GROMMET	S083-67-012A	1		
	67 365	COVER, SEAL-COWL PANEL	FB31-56-058	1		
	67 506B	COVER, SERVICE HOLE	G043-67-506	2		

SEE ILLUSTRATION/S AT FRAME 2 - E 6

5500-1

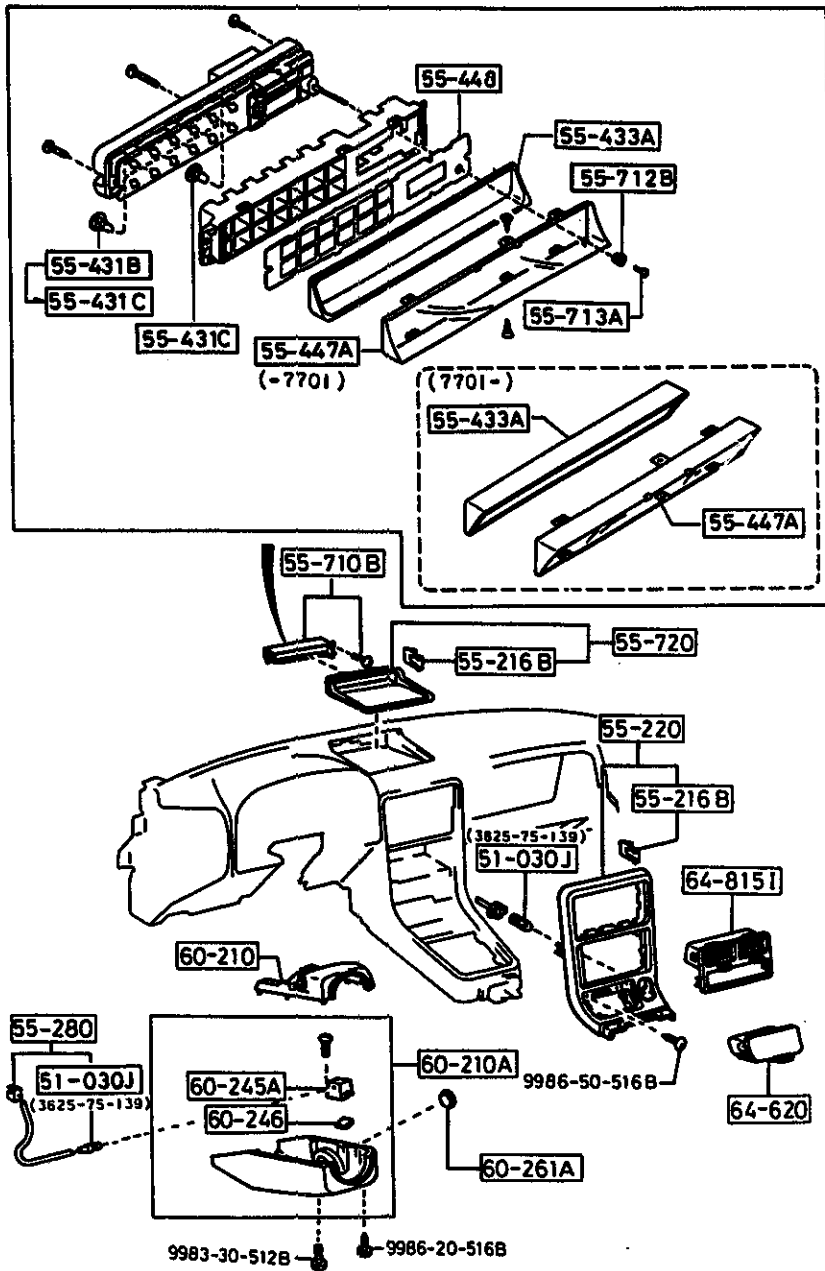
DASHBOARD EQUIPMENTS
(COUPE) (W/O ANTI-LOCK BRAKE SYSTEM)



ITEM NO.	D-CODE	DESCRIPTION	PART NO.	QTY	MODEL/DESCRIPTION	REMARKS
51 030J		BULB	0000-11-0194	1	12V 3.4W	
55 216B		SPRING, CENTER PANEL	B092-55-257	4		
55 220		PANEL, CENTER	FB01-55-210C	1	W/ COMPACT DISC	
			FB05-55-210B	1	W/O COMPACT DISC	
55 280		BULB & SOCKET	G032-55-280A	1	W/ KEY ILLUM.	
55 431B		BULB 'A', WARNING UNIT	FB01-55-431	10	M/T, W/O TURBO	-7701
				11	A/T, W/O TURBO	-7701
					M/T, TURBO	
55 431C		BULB 'B', WARNING UNIT	FB02-55-431	1		-7701
				11	M/T, W/O TURBO	7701-
				12	A/T, W/O TURBO	7701-
					M/T, TURBO	
55 433A		SEPARATOR, WARNING UNIT	FB01-55-433	2		
55 447A		GLASS, FRONT-WARNING UNIT	FB02-55-447	1	W/ CLOCK	-7701
			FB02-55-447B	1	W/ CLOCK	7701-
55 448		SHEET, WARNING-UNIT	FB02-55-448	1	W/ CLOCK	-7701
			FB02-55-448A	1	M/T, W/O TURBO	7701-
			FB04-55-448	1	M/T, W/O TURBO	-7701
				1	W/ CLOCK	
				1	A/T, W/O TURBO	
				1	M/T, TURBO	
55 710B		UNIT, WARNING	FB02-55-710D	1	W/ CLOCK	-7701
			FB02-55-710F	1	M/T, W/O TURBO	7701-
			FB04-55-710D	1	W/ CLOCK	-7701
			FB04-55-710F	1	M/T, TURBO	7701-
				1	A/T, W/O TURBO	
				1	M/T, TURBO	
55 712B		KNOB, CLOCK	FB01-55-713	1	W/ CLOCK	
55 713A		SCREW, RESET KNOB	FB01-55-714	1	W/ CLOCK	
55 720		BEZEL, AUTO CLOCK	FB01-55-715A	1		-7701
		DARK GRAY	07			
		RED	10			
		BLUE	48			
			F055-55-71XB	1		7701-
		DARK GRAY	07			
		RED	10			
		BLUE	48			
60 210		COVER, COLUMN-UPPER	FB01-60-221A	1		
60 210A		COVER, COLUMN-LOWER	FB01-60-230	1		
60 245A		CASE, LAMP	FB01-60-232	1		

7701 FC33* -550169

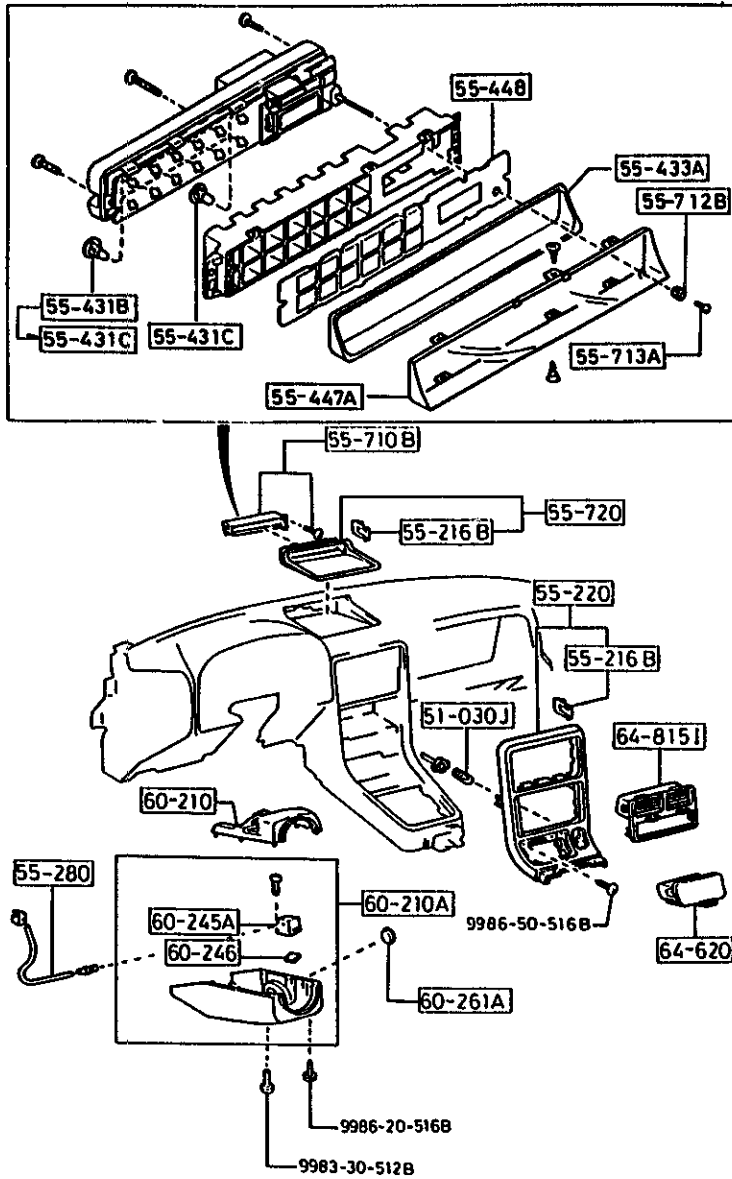
**5500-2 DASHBOARD EQUIPMENTS
(COUPE) (W/O ANTI-LOCK BRAKE SYSTEM)**



ITEM NO.	D-CODE	DESCRIPTION	PART NO.	QTY	MODEL/DESCRIPTION	REMARKS
60 246		LENS, COLUMN COVER	FB01-60-233	1		
60 261A		HOLDER, KEY CYLINDER	G001-60-261	1		-6801
			FB01-60-261	1		6801-
64 620		TRAY, ASH	FB01-64-610D	1		
64 815I		LOUVER	FB01-64-840B	1		

6801 FC33* -522333

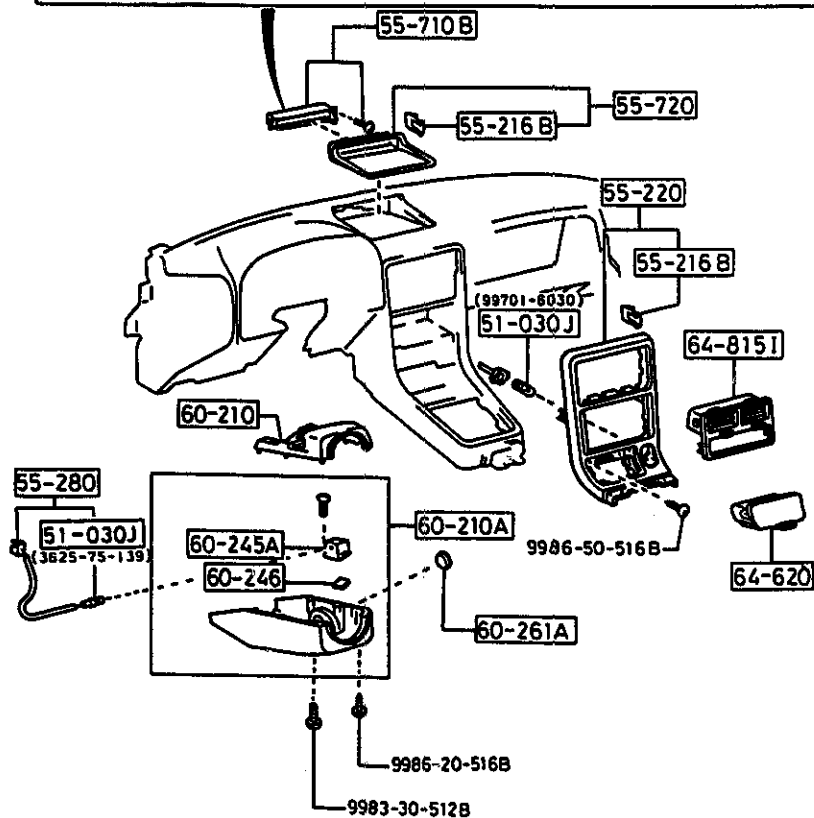
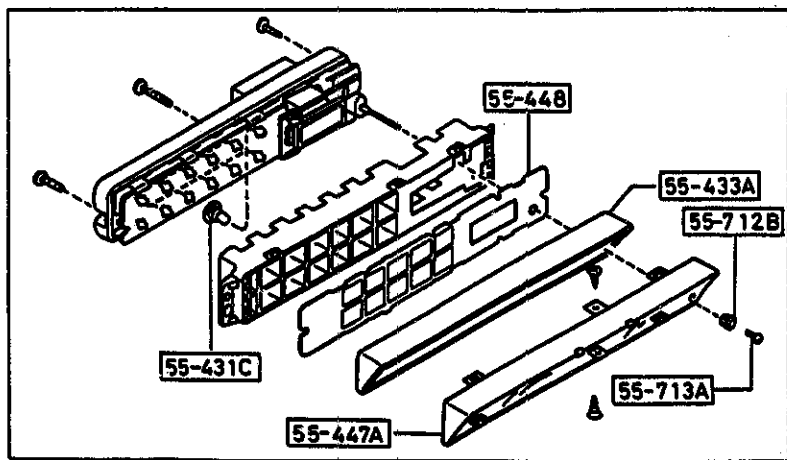
**5500A-1 DASHBOARD EQUIPMENTS
(COUPE) (ANTI-LOCK BRAKE SYSTEM)**



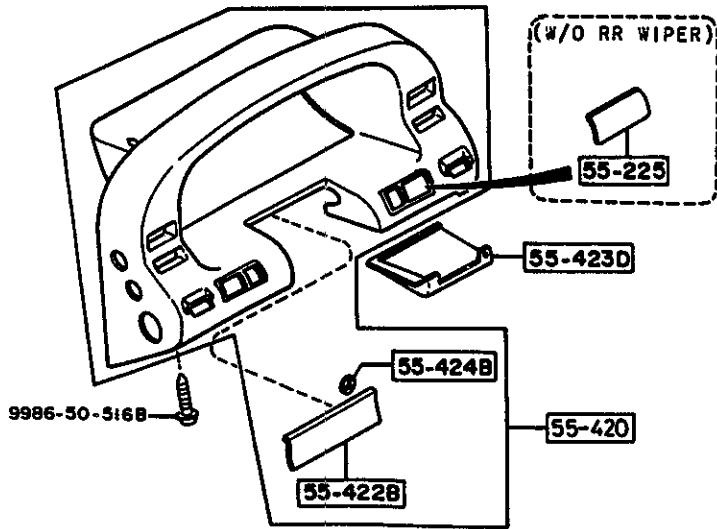
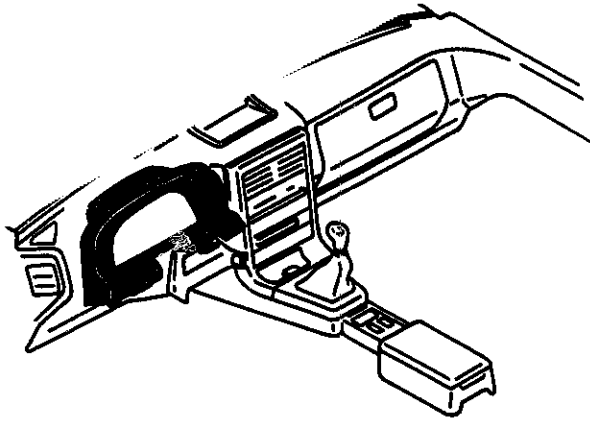
ITEM NO.	D-CODE	DESCRIPTION	PART NO.	QTY	MODEL/DESCRIPTION	REMARKS
51 030J		BULB	0000-11-0194	1	12V 3.4W	
55 216B		SPRING, CENTER PANEL	B092-55-257	4		
55 220		PANEL, CENTER	FB01-55-210C	1	W/O COMPACT DISC	
			FB05-55-210B	1	W/ COMPACT DISC	
55 280		BULB & SOCKET	G032-55-280A	1	W/ KEY ILLUM.	
55 431B		BULB 'A', WARNING UNIT	FB01-55-431	11		-7701
55 431C		BULB 'B', WARNING UNIT	FB02-55-431	1		-7701
				12		7701-
55 433A		SEPARATOR, WARNING UNIT	FB01-55-433	2		
55 447A		GLASS, FRONT-WARNING UNIT	FB02-55-447	1		-7701
			FB02-55-447B	1		7701-
55 448		SHEET, WARNING-UNIT	FB55-55-448A	1		
55 710B		UNIT, WARNING	FB55-55-710	1		-7701
			FB55-55-710B	1		7701-
55 712B		KNOB, CLOCK	FB01-55-713	1		
55 713A		SCREW, RESET KNOB	FB01-55-714	1		
55 720		BEZEL, AUTO CLOCK	FB01-55-715A	1		-7701
		DARK GRAY	07			
		RED	10			
		BLUE	48			
			FO55-55-71XB	1		7701-
		DARK GRAY	07			
		RED	10			
		BLUE	48			
60 210		COVER, COLUMN-UPPER	FB01-60-221	1		
60 210A		COVER, COLUMN-LOWER	FB01-60-230	1		
60 245A		CASE, LAMP	FB01-60-232	1		
60 246		LENS, COLUMN COVER	FB01-60-233	1		
60 261A		HOLDER, KEY CYLINDER	G001-60-261	1		-6801
			FB01-60-261A	1		6801-
64 620		TRAY, ASH	FB01-64-610C	1		
64 815I		LOUVER	FB01-64-840B	1		

6801 FC33* -522333
7701 FC33* -550169

**5500B-1 DASHBOARD EQUIPMENTS
(CONVERTIBLE)**



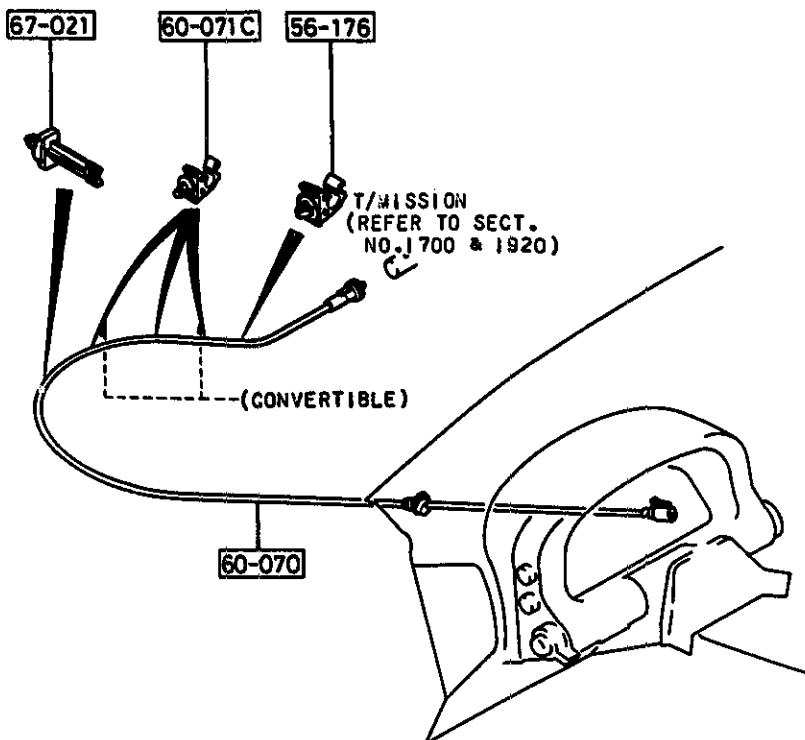
ITEM NO.	D-CODE	DESCRIPTION	PART NO.	QTY	MODEL/DESCRIPTION	REMARKS
51 030J		BULB	0000-11-0194	1	12V 3.4W	
55 216B		SPRING, CENTER PANEL	B092-55-257	4		
55 220		PANEL, CENTER	FB05-55-210B	1		
55 280		BULB & SOCKET	G032-55-280A	1		
55 431C		BULB 'B', WARNING UNIT	FB02-55-431	10		
55 433A		SEPARATOR, WARNING UNIT	FB01-55-433	2		
55 447A		GLASS, FRONT-WARNING UNIT	FB02-55-447B	1		
55 448		SHEET, WARNING-UNIT	FB67-55-448A	1		
55 710B		UNIT, WARNING	FB67-55-710A	1		
55 712B		KNOB, CLOCK	FB01-55-713	1		
55 713A		SCREW, RESET KNOB	FB01-55-714	1		
55 720		BEZEL, AUTO CLOCK	F055-55-71XB	1		
		DARK GRAY	07			
		RED	10			
		BLUE	48			
60 210		COVER, COLUMN-UPPER	FB01-60-221	1		
60 210A		COVER, COLUMN-LOWER	FB01-60-230A	1		
60 245A		CASE, LAMP	FB01-60-232	1		
60 246		LENS, COLUMN COVER	FB01-60-233	1		
60 261A		HOLDER, KEY CYLINDER	FB01-60-261	1		
64 620		TRAY, ASH	FB01-64-610D	1		
64 815I		LOUVER	FB01-64-840B	1		



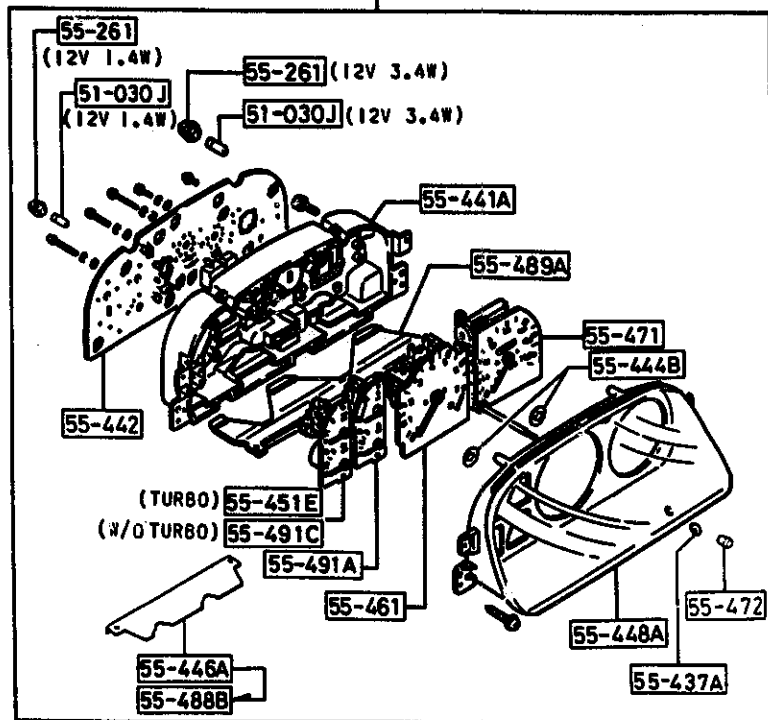
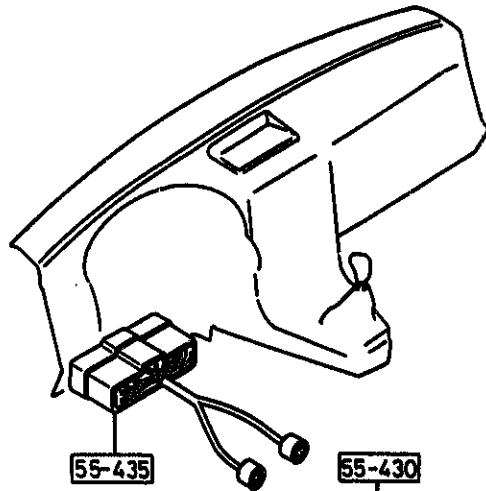
ITEM NO.	D-CODE	DESCRIPTION	PART NO.	QTY	MODEL/DESCRIPTION	REMARKS
55 225		COVER, HOLE-CLUSTER SWITCH	FB01-55-225	1	W/O REAR WIPER	
55 420		HOOD, METER & CLUSTER SWITCH	FB01-55-420C	1		
55 422B		SEAL, DUST-CLUSTER SWITCH	FB01-55-422	1		
55 423D		COVER, SERVICE HOLE-CLUSTER	FB01-55-423	1		
55 424B		RING, PUSH-DUST SEAL	FB01-55-424	3		

5530-1 SPEEDOMETER CABLE

ITEM NO.	D-CODE	DESCRIPTION	PART NO.	QTY	MODEL/DESCRIPTION	REMARKS
56 176		HOLDER, JACK HANDLE	G030-56-176	1		
60 070		CABLE, SPEEDOMETER	FB01-60-070A FB02-60-070A FB67-60-070	1	M/T, COUPE A/T, COUPE M/T, CONV.	
60 071C		CLIP	UB40-60-071	1	COUPE	
67 021		CLIP	FB01-67-021	3	CONV.	



5540-1

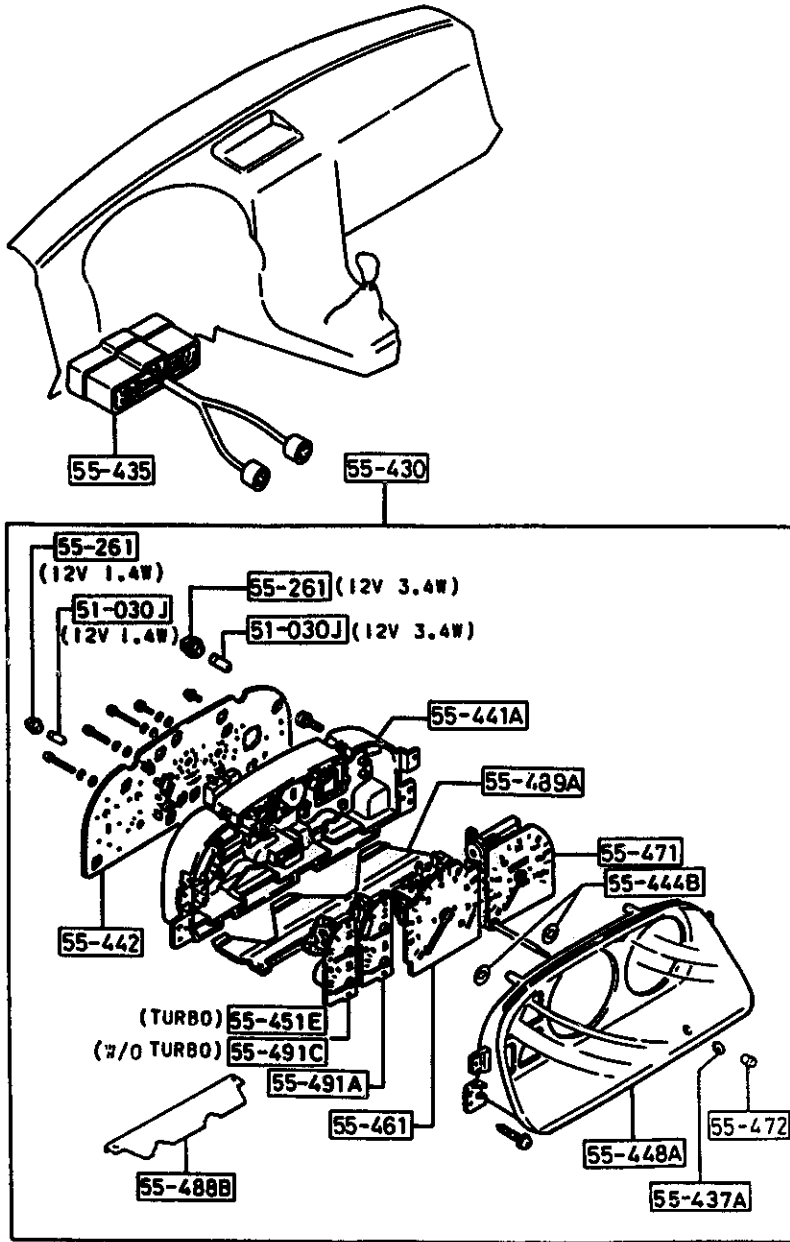
**METER COMPONENTS
(COUPE) (W/O ANTI-LOCK BRAKE SYSTEM)**


ITEM NO.	D-CODE	DESCRIPTION	PART NO.	QTY	MODEL/DESCRIPTION	REMARKS
51 030J		BULB	0000-11-0074	1	12V 1.4W FOR WARNING	
			0000-11-0194	9	12V 3.4W	
55 261		SOCKET	8548-55-261	1	12V 1.4W BLACK	
			1316-55-261	9	12V 3.4W	-7107
			8545-55-261	9	12V 3.4W	7107-
55 430		METER SET	FB01-55-430B	1	MILE/KM A/T, W/O TURBO	
			FB02-55-430B	1	MILE/KM M/T, W/O TURBO	
			FB44-55-430	1	MILE/KM M/T, TURBO	-7601
			< A > FB44-55-430A	1	MILE/KM M/T, TURBO	7601-
55 435		CORD, METER SET	FB01-55-435A	1	W/O TURBO	
			FB44-55-435	1	TURBO	
55 437A		GROMMET, KNOB-METER SET	FB01-55-437	1		7601-
55 441A		CASE, METER	FB01-55-441	1		
55 442		PLATE NO. 1, PRINT	FB02-55-442	1	MILE/KM M/T	
55 444B		LENS, WARNING	FB01-55-444	2		
55 446A		PLATE, WINDOW	FB01-55-488	1		
55 448A		LENS, FRONT	FB01-55-447A	1	MILE/KM	
55 451E		METER, BOOST & OIL	FB44-55-451	1	MILE/KM TURBO	
55 461		TACHOMETER	FB02-55-461	1	MILE/KM M/T	
55 471		SPEEDOMETER	FB01-55-471A	1	MILE/KM W/O TURBO	
			FB44-55-471A	1	MILE/KM TURBO	
55 472		KNOB, TRIPMETER	1907-75-102A	1		
55 488B		SHADOW, LIGHT GUIDE	FB01-55-488	1		5C11-
55 489A		PLATE, LIGHT GUIDE-METER	FB01-55-489	1		
55 491A		METER, FUEL & THERMO	FB01-55-481	1		
55 491C		METER, OIL & VOLTAGE	FB01-55-491	1	MILE/KM W/O TURBO	
5C11	FC33*	-120343				
7107	FC33*	-528767				
7601	FC33*	-550168				

SECTION INDEX -- BODY

STARTING LOCATION	SECT. NO.	SECTION NAME	STARTING LOCATION	SECT. NO.	SECTION NAME	STARTING LOCATION	SECT. NO.	SECTION NAME
2 - C 3	0900A	KEY SETS	2 - L 6	5530	SPEEDOMETER CABLE	2 - L14	6230	LIFT GATE MECHANISMS (COUPE)
2 - E 3	5000	FRONT BUMPER	2 - M 6	5540	METER COMPONENTS (COUPE) (W/O ANTI-LOCK BRAKE SYSTEM)	2 - N14	6300A	WINDOW GLASSES
2 - F 3	5005	RADIATOR GRILLE				2 - C15	6330	SUNROOF (COUPE)
2 - G 3	5010A	REAR BUMPER	2 - C 7	5540A	METER COMPONENTS (COUPE) (ANTI-LOCK BRAKE SYSTEM)	2 - E15	6330A	SOFT TOP (CONVERTIBLE)
2 - H 3	5030A	WINDOW MOULDINGS	2 - E 7	5540B	METER COMPONENTS (CONVERTIBLE)	2 - G15	6600B	SWITCHES & RELAYS (ENGINE) (W/O TURBO)
2 - I 3	5040A	BODY MOULDINGS	2 - F 7	5560	DASHBOARD & RELATED PARTS	2 - J15	6600BA	SWITCHES & RELAYS (ENGINE) (TURBO)
2 - J 3	5060A	SIDE PROTECTORS	2 - I 7	5570	CONSOLE	2 - M15	6610	DASHBOARD SWITCHES (MANUAL OPERATING)
2 - K 3	5100	HEAD LAMPS	2 - K 7	5580	VENTILATOR	2 - N15	6611	COMBINATION SWITCH
2 - L 3	5103	HEAD LAMP RETRACTORS				2 - C16	6612	CLUSTER SWITCH
2 - M 3	5105	FRONT COMBINATION LAMPS	2 - C 8	5700A	FRONT SEATS (COUPE)	2 - D16	6615	POWER WINDOW SWITCHES
2 - C 4	5110A	REAR COMBINATION LAMPS	2 - C 9	5700AA	FRONT SEATS (COUPE) (LEATHER)	2 - E16	6620	DOOR SWITCH
2 - E 4	5120	LICENSE LAMPS	2 - C10	5700AB	FRONT SEATS (CONVERTIBLE) (CLOTH)	2 - F16	6630	RELAYS & CPU (BODY)
2 - F 4	5125	INTERIOR LAMPS	2 - F10	5700AC	FRONT SEATS (CONVERTIBLE) (LEATHER)	2 - G16	6635	HORNS
2 - G 4	5130	OVERHEAD CONSOLE (COUPE)	2 - J10	5750A	REAR SEATS (CLOTH)	2 - H16	6640	AUTO CRUISE CONTROL SYSTEM
2 - H 4	5170	ORNAMENTS	2 - C11	5750AA	REAR SEATS (LEATHER)	2 - I16	6680	AUDIO SYSTEMS (RADIO & TAPE DECK)
2 - I 4	5180	COWL & EXTRACTOR GILLES	2 - H11	5790A	SEAT BELTS			
2 - K 4	5230	HOOD	2 - J11	5800A	FRONT DOORS (COUPE)			
2 - L 4	5260	TRUNK LID (CONVERTIBLE)	2 - K11	5800AA	FRONT DOORS (CONVERTIBLE)			
2 - M 4	5310	BODY PANELS (FRONT) (COUPE)	2 - C12	5830A	FRONT DOOR MECHANISMS (COUPE)			
2 - N 4	5310A	BODY PANELS (FRONT) (CONVERTIBLE)	2 - H12	5830AA	FRONT DOOR MECHANISMS (CONVERTIBLE)			
2 - C 5	5320	BODY PANELS (FENDER & WHEEL APRON) (COUPE)	2 - C13	5840A	FRONT DOOR TRIMS & RELATED PARTS (COUPE)			
2 - D 5	5320B	BODY PANELS (FENDER & WHEEL APRON) (CONVERTIBLE)	2 - K13	5840AB	FRONT DOOR TRIMS & RELATED PARTS (CONVERTIBLE)			
2 - E 5	5330	BODY PANELS (DASH & COWL PANEL)	2 - N13	6100	HEATER			
2 - F 5	5340A	BODY PANELS (SIDE) (COUPE)	2 - C14	6110	HEATER UNIT COMPONENTS			
2 - H 5	5340AA	BODY PANELS (SIDE) (CONVERTIBLE)	2 - D14	6115	HEATER CONTROLS COMPONENTS			
2 - K 5	5360A	BODY PANELS (ROOF) (COUPE)	2 - E14	6120	HEATER BLOWER COMPONENTS			
2 - L 5	5370	BODY PANELS (FLOOR) (COUPE)	2 - F14	6130	AIR CONDITIONER (W/O AIR CONDITIONER)			
2 - M 5	5370A	BODY PANELS (FLOOR) (CONVERTIBLE)	2 - G14	6132A	CONDENSER PACKAGE			
2 - C 6	5390	FLOOR ATTACHMENTS (COUPE)	2 - I14	6142A	COMPRESSOR MOUNTING KIT, COMPRESSOR/CLUTCH ASSEMBLY & REPAIR PARTS			
2 - E 6	5390A	FLOOR ATTACHMENTS (CONVERTIBLE)	2 - J14	6152A	EVAPORATOR PACKAGE			
2 - G 6	5500	DASHBOARD EQUIPMENTS (COUPE) (W/O ANTI-LOCK BRAKE SYSTEM)	2 - K14	6200	LIFT GATE			
2 - I 6	5500A	DASHBOARD EQUIPMENTS (COUPE) (ANTI-LOCK BRAKE SYSTEM)						
2 - J 6	5500B	DASHBOARD EQUIPMENTS (CONVERTIBLE)						
2 - K 6	5520	METER HOOD						

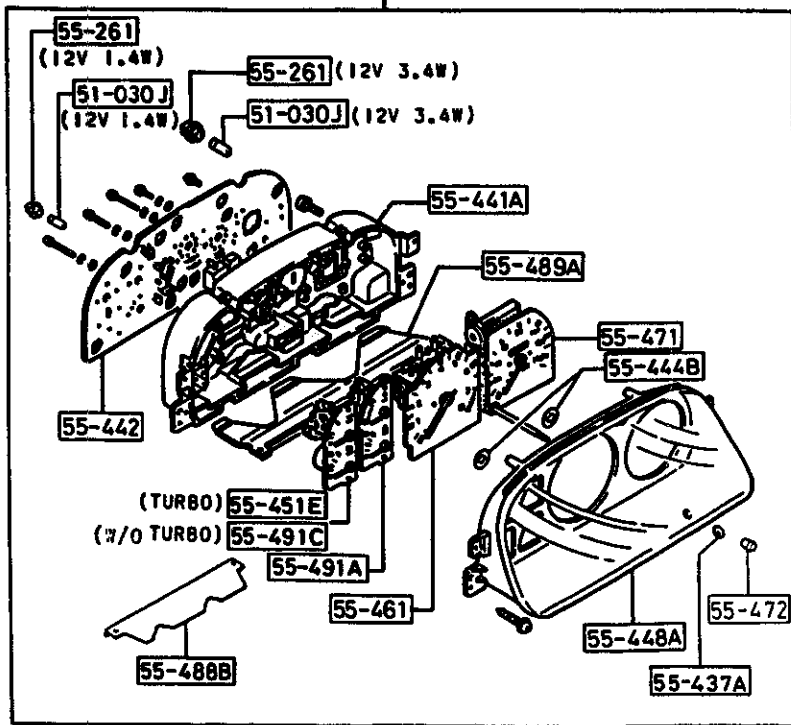
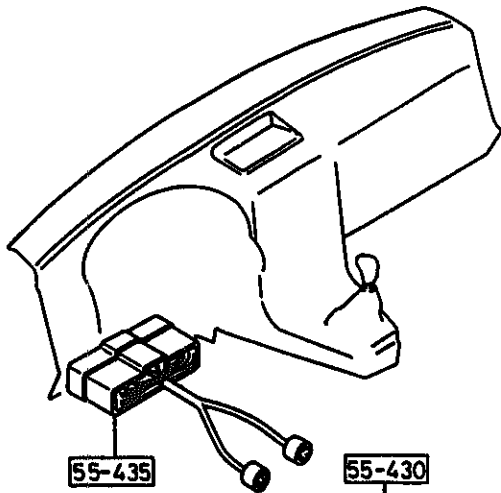
**5540A-1 METER COMPONENTS
(COUPE) (ANTI-LOCK BRAKE SYSTEM)**



ITEM NO.	D-CODE	DESCRIPTION	PART NO.	QTY	MODEL/DESCRIPTION	REMARKS
51 030J		BULB	0000-11-0074	1	12V 1.4W FOR WARNING	
			0000-11-0194	9	12V 3.4W	
55 261		SOCKET	8548-55-261	1	12V 1.4W BLACK	-7107
			1316-55-261	9	12V 3.4W	
			8545-55-261	9	12V 3.4W	7107-
55 430		METER SET	FB56-55-430B	1	MILE/KM A/T, W/O TURBO	
			FB02-55-430B	1	MILE/KM M/T, W/O TURBO	
			FB60-55-430	1	MILE/KM M/T, TURBO	
55 435		CORD, METER SET	FB01-55-435A	1	M/T, W/O TURBO	
			FB44-55-435	1	A/T, W/O TURBO M/T, TURBO	
55 437A		GROMMET, KNOB-METER SET	FB01-55-437	1		7601-
55 441A		CASE, METER	FB01-55-441	1		
55 442		PLATE NO. 1, PRINT	FB02-55-442	1	MILE/KM M/T, W/O TURBO	
			FB56-55-442	1	MILE/IM A/T, W/O TURBO M/T, TURBO	-6714
			FB58-55-442	1	MILE/KM A/T, W/O TURBO	6714-
55 444B		LENS, WARNING	FB01-55-444	2		
55 448A		LENS, FRONT	FB01-55-447A	1	MILE/KM	
55 451E		METER, BOOST & OIL	FB44-55-451	1	MILE/KM TURBO	
55 461		TACHOMETER	FB02-55-461	1	MILE/KM M/T, W/O TURBO M/T, TURBO	
55 471		SPEEDOMETER	FB01-55-471A	1	MILE/KM W/O TURBO	
			FB44-55-471A	1	MILE/KM TURBO	
				1	USA, (MILE/KM) (TURBO)	
55 472		KNOB, TRIPMETER	1907-75-102A	1		
55 488B		SHADOW, LIGHT GUIDE	FB01-55-488	1		
55 489A		PLATE, LIGHT GUIDE-METER	FB01-55-489	1		
55 491A		METER, FUEL & THERMO	FB01-55-481	1	M/T, W/O TURBO	
			FB56-55-481	1	A/T, W/O TURBO M/T, TURBO	
55 491C		METER, OIL & VOLTAGE	FB01-55-491	1	MILE/KM M/T, W/O TURBO A/T, W/O TURBO	6901-

6714 FC33* -503142
 6901 FC33* -512255
 7107 FC33* -528767
 7601 FC33* -550168

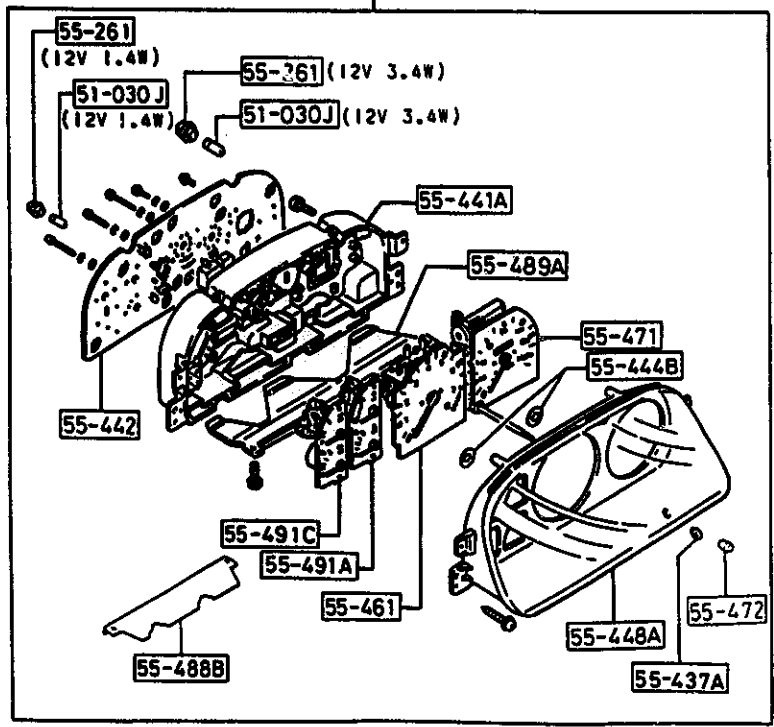
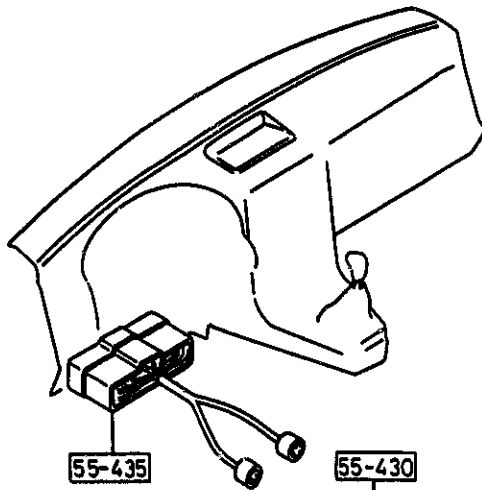
**5540A-2 METER COMPONENTS
(COUPE) (ANTI-LOCK BRAKE SYSTEM)**



ITEM NO.	D-CODE	DESCRIPTION	PART NO.	QTY	MODEL/DESCRIPTION	REMARKS
	55 491C (CONT'D)			1	A/T, W/O TURBO	-6901

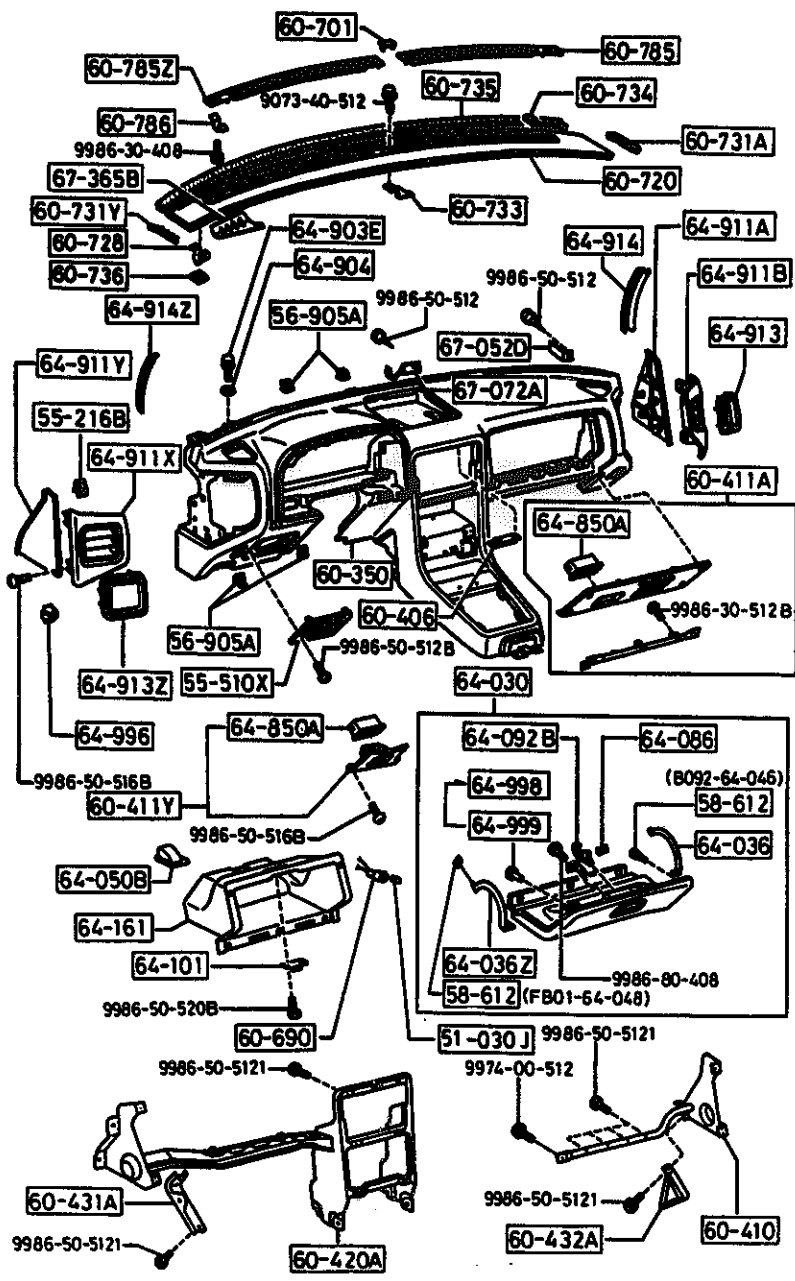
6901 FC33* -512255

**5540B-1 METER COMPONENTS
(CONVERTIBLE)**



ITEM NO.	D-CODE	DESCRIPTION	PART NO.	QTY	MODEL/DESCRIPTION	REMARKS
51 030J		BULB	0000-11-0074	1	12V 1.4W FOR WARNING	
			0000-11-0194	9	12V 3.4W	
55 261		SOCKET	8545-55-261	9	12V 3.4W	
			8548-55-261	1	12V 1.4W BLACK	
55 430		METER SET	F802-55-430B	1	MILE/KM	
55 435		CORD, METER SET	F801-55-435A	1		
55 437A		GROMMET, KNOB-METER SET	F801-55-437	1		
55 441A		CASE, METER	F801-55-441	1		
55 442		PLATE NO. 1, PRINT	F802-55-442	1	MILE/KM	
55 444B		LENS, WARNING	F801-55-444	2		
55 448A		LENS, FRONT	F801-55-447A	1	MILE/KM	
55 461		TACHOMETER	F802-55-461	1	MILE/KM	
55 471		SPEEDOMETER	F801-55-471A	1	MILE/KM	
55 472		KNOB, TRIPMETER	1907-75-102A	1		
55 488B		SHADOW, LIGHT GUIDE	F801-55-488	1		
55 489A		PLATE, LIGHT GUIDE-METER	F801-55-489	1		
55 491A		METER, FUEL & THERMO	F801-55-481	1		
55 491C		METER, OIL & VOLTAGE	F801-55-491	1	MILE/KM	

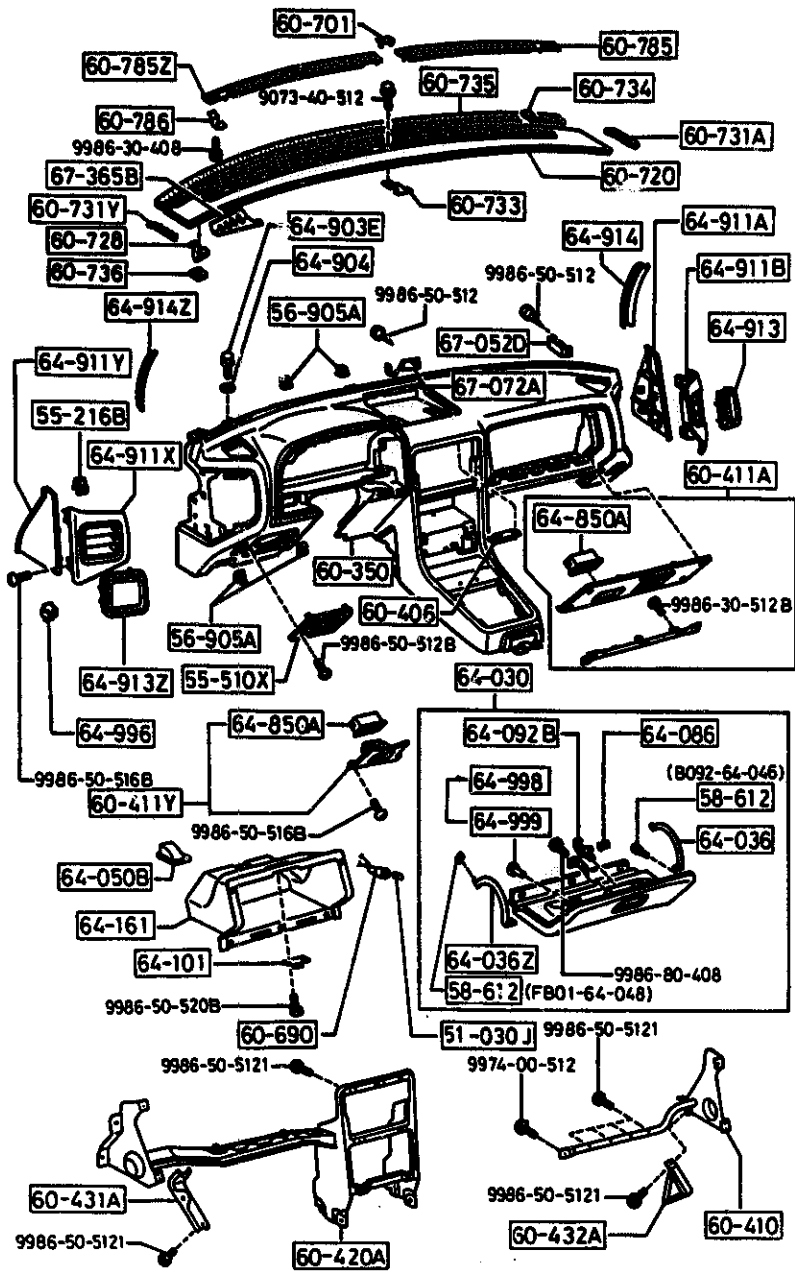
5560-1 DASHBOARD & RELATED PARTS



ITEM NO.	D-CODE	DESCRIPTION	PART NO.	QTY	MODEL/DESCRIPTION	REMARKS
51 030J		BULB	0000-11-0194	1	12V 3.4W	
55 216B		SPRING, CENTER PANEL	B092-55-257	4		
55 510X		GRILLE (L), SPEAKER	FB01-60-821	1		
		DARK GRAY	07			
		RED	10			
		BLUE	48			
56 905A		NUT, SPRING	B092-60-408	24		
58 612		CUSHION, RUBBER	B092-64-046	2		
			FB01-64-048	2		
60 350		PAD, CRUSH	FBC1-60-350E	1	W/O VENT.	
60 406		BRACKET, CENTER PANEL	FB01-55-216A	1		
60 410		FRAME, INSTRUMENT PANEL	FB01-60-520B	1	COUPE	
60 411A		PANEL (R), LOWER	FB01-64-250B	1		
		DARK GRAY	07			
		RED	10			
		BLUE	48			
60 411Y		PANEL (L), LOWER	FB01-64-270A	1		
		DARK GRAY	07			
		RED	10			
		BLUE	48			
60 420A		FRAME, INSTRUMENT	FB67-60-420C	1	CONV.	
			FB01-60-420G	1	COUPE	
60 431A		BRACKET NO. 1	FB01-60-634	2		-SC01
			FB01-60-634A	2		SC01-
60 432A		BRACKET NO. 2	FB01-60-635	1		
60 690		SWITCH, GLOVE TRAY	FA54-66-540	1		
60 701		CAP, GARNISH	FB01-64-905	1		
		DARK GRAY	07			
		RED	10			
		BLUE	48			
60 720		GARNISH, UPPER	FB01-60-720A	1		
		DARK GRAY	07			
		RED	10			
		BLUE	48			
60 728		CLIP, GARNISH-INSTRUMENT	FB01-60-728A	6		
60 731A		COVER (R), GARNISH-INSTRUMENT	FB01-60-731A	1		
		DARK GRAY	07			
		RED	10			
		BLUE	48			
60 731Y		COVER (L), GARNISH-INSTRUMENT	FB01-60-732A	1		

SC01 FC33* -118628

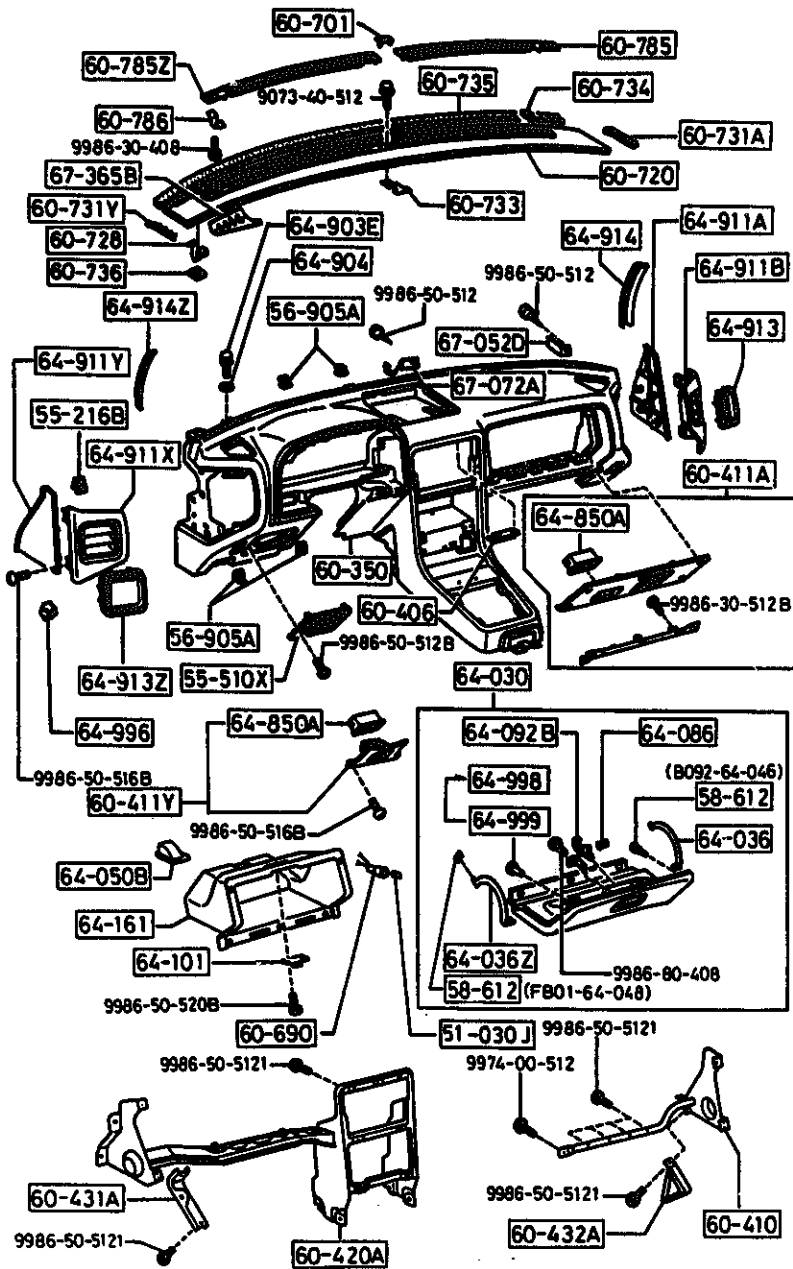
5560-2 DASHBOARD & RELATED PARTS



ITEM NO.	D-CODE	DESCRIPTION	PART NO.	QTY	MODEL/DESCRIPTION	REMARKS
60 731Y	(CONT'D)	DARK GRAY	07			
		RED	10			
		BLUE	48			
60 733		BRACKET, GARNISH-INSTRUMENT	FB01-60-733	1		
60 734		PAD NO. 1, GARNISH-UPPER	FB01-60-734A	4		
60 735		PAD NO. 2, GARNISH-UPPER	FB01-60-735	1		
60 736		RUBBER, CUSHION-GARNISH	FB01-60-736	6		7101-
60 785		GRILLE (R), DEFROSTER NOZZLE	FB01-60-785A	1		
		DARK GRAY	07			
		RED	10			
		BLUE	48			
60 785Z		GRILLE (L), DEFROSTER NOZZLE	FB01-60-795A	1		
		DARK GRAY	07			
		RED	10			
		BLUE	48			
60 786		CLIP, DEFROSTER GRILLE	FB01-60-786A	4		
64 030		LID, GLOVE POCKET	FB01-64-030	1		
		DARK GRAY	07			
		RED	10			
		BLUE	48			
64 036		STOPPER (R), GLOVE LID	FB01-64-043	1		
64 036Z		STOPPER (L), GLOVE LID	FB01-64-044	1		
64 050B		BOX, BULB	H043-64-050	1		
64 086		SPRING, GLOVE LID	FA54-64-044	1		
64 092B		HOOK, GLOVE LID	FB01-64-045	1		
64 101		STRIKER	FB01-64-101	1		
64 161		TRAY, GLOVE LID	FB01-64-161A	1	STD., SE	
			FB02-64-161A	1	GXL TURBO	
64 850A		LOUVER, LAP-LOWER PAN	FB01-64-850	2		
		DARK GRAY	07			
		RED	10			
		BLUE	48			
64 903E		BOLT	BE32-64-903	2		
64 904		WASHER, RUBBER	BE32-64-904	2		
64 911A		COVER (R), SIDE	FB01-64-912	1		
		DARK GRAY	07			
		RED	10			
		BLUE	48			
64 911B		PANEL (R), SIDE-CRUSH PAD	FB01-64-911A	1		
		DARK GRAY	07			

7101 FC33* -528625

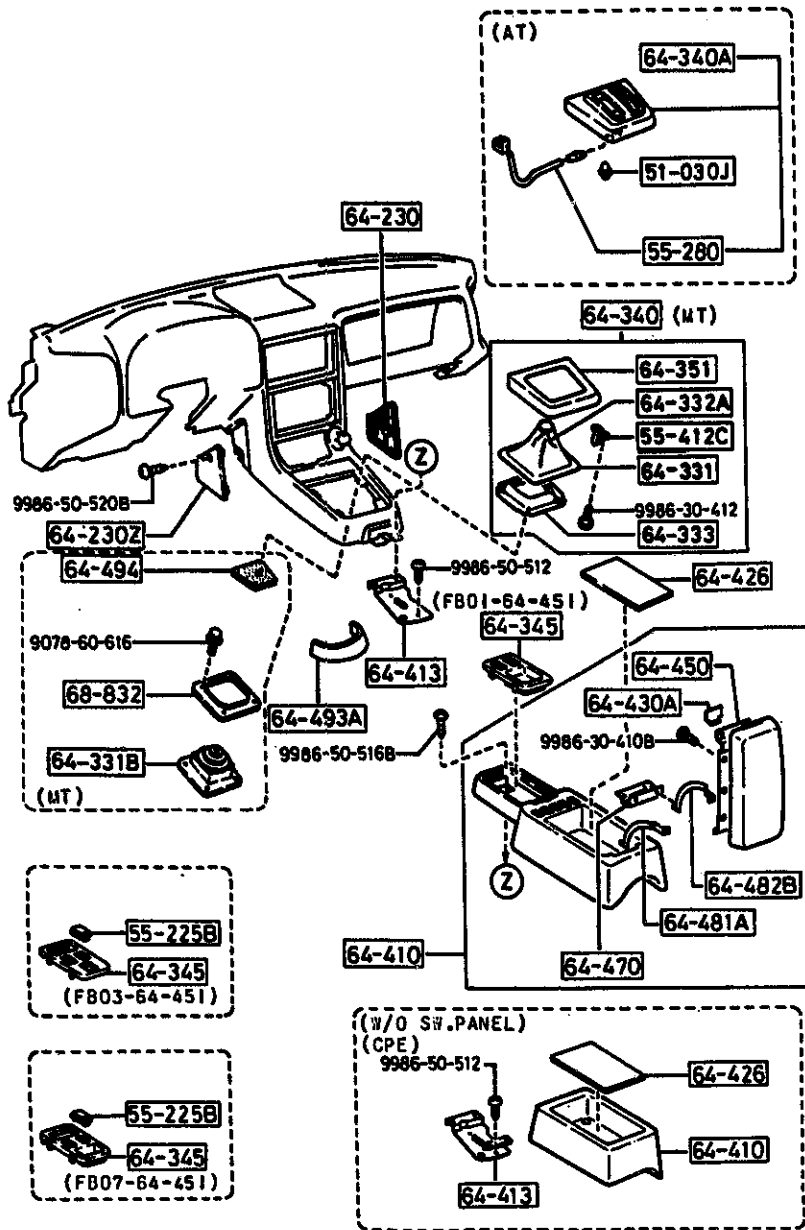
5560-3 DASHBOARD & RELATED PARTS



ITEM NO.	D-CODE	DESCRIPTION	PART NO.	QTY	MODEL/DESCRIPTION	REMARKS
64 911B	(CONT'D)	RED	10			
		BLUE	48			
64 911X		PANEL (L), SIDE-CRUSH PAD	FB01-64-921A	1		
		DARK GRAY	07			
		RED	10			
		BLUE	48			
64 911Y		COVER (L), SIDE	FB01-64-922	1		
		DARK GRAY	07			
		RED	10			
		BLUE	48			
64 913		RUBBER (R), SEAL-SIDE PANEL	FB01-64-913	1		
64 913Z		RUBBER (L), SEAL-SIDE PANEL	FB01-64-923	1		
64 914		COVER (R), SIDE NO. 2	FB01-64-914	1		
		DARK GRAY	07			
		RED	10			
		BLUE	48			
64 914Z		COVER (L), SIDE NO. 2	FB01-64-924	1		
		DARK GRAY	07			
		RED	10			
		BLUE	48			
64 996		NUT, EXPANSION	H043-64-996A	13		
64 998		SCREW, GLOVE LID	H199-64-998	10		SA01-
64 999		SCREW, GLOVE LID	H199-64-999	10		-SA01
67 052D		CLIP	B545-67-052	2		
67 072A		CLIP	GC77-67-072	2		
67 365B		COVER, SEAL	FB34-67-365	1		

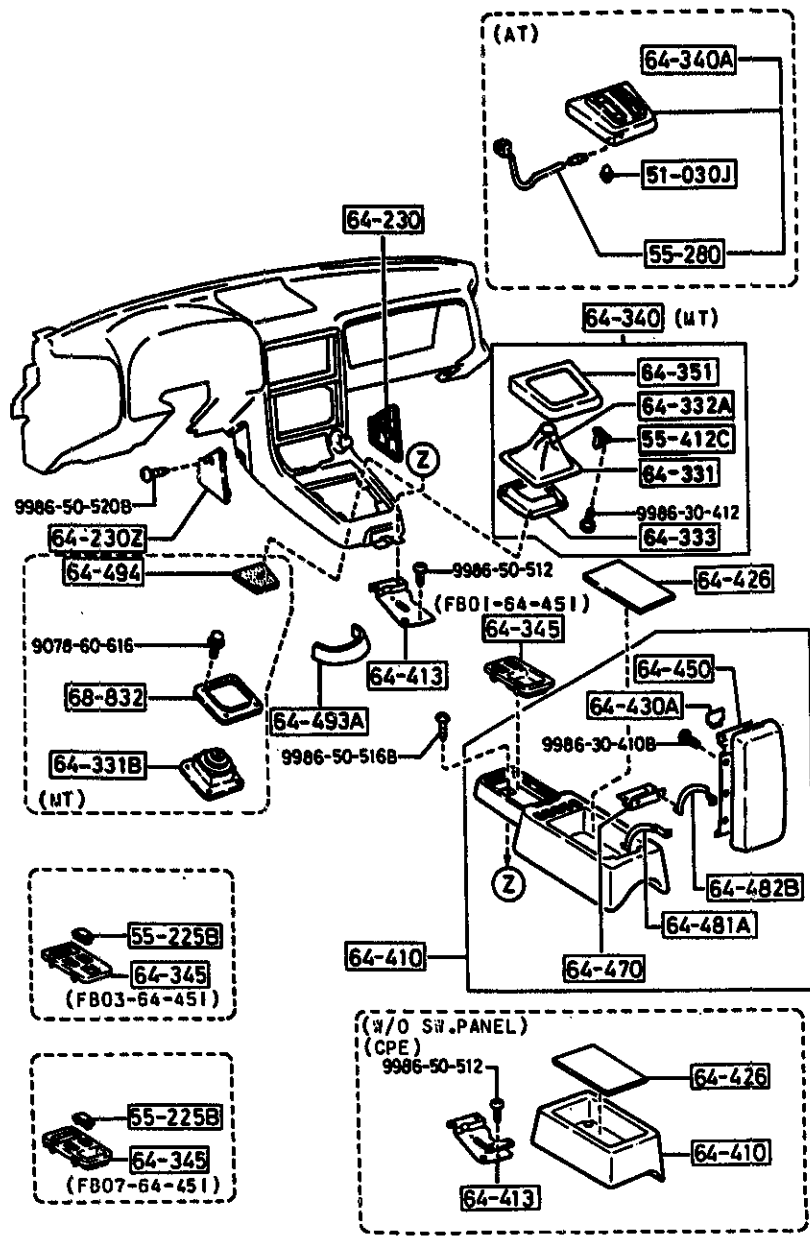
SA01 FC33* -107570

5570-1 CONSOLE



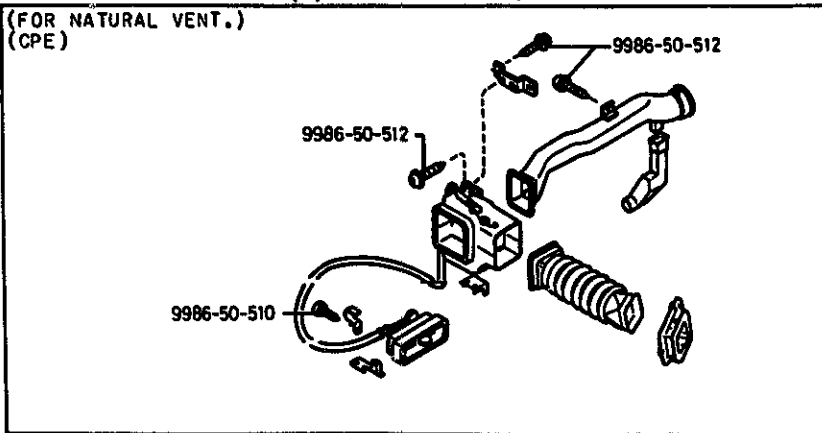
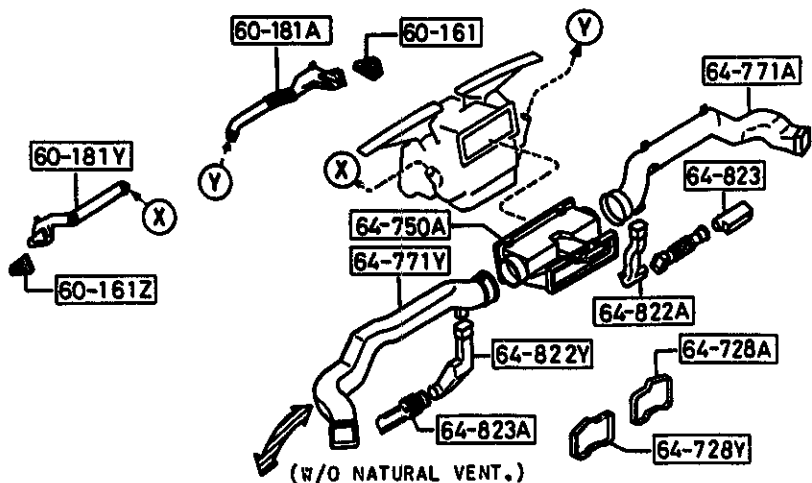
ITEM NO.	D-CODE	DESCRIPTION	PART NO.	QTY	MODEL/DESCRIPTION	REMARKS
51 030J		BULB	0000-11-0194	1	12V 3.4W A/T	
55 225B		COVER, HOLE	8001-55-225A	1		
55 280		BULB & SOCKET	G032-55-280A	1	A/T	
55 412C		SPRING	8531-55-412	4	M/T	
64 230		WALL (R), SIDE	FB01-64-221A	1		
		DARK GRAY	07			
		RED	10			
		BLUE	48			
64 230Z		WALL (L), SIDE	FB01-64-231A	1		
		DARK GRAY	07			
		RED	10			
		BLUE	48			
64 331		BOOT, CHANGE	FB01-64-331A	1	M/T	
64 331B		BOOT, CHANGE	FB01-64-490B	1	M/T	
64 340		PLATE, UPPER	FB01-64-350C	1	M/T	
64 340A		INDICATOR	FB02-64-350F	1	A/T	
64 345		PANEL, SWITCH	FB01-64-451	1	W/O DOOR MIRROR SW.	
			FB03-64-451	1	W/ DOOR MIRROR SW. & COIN BOX	
			FB07-64-451	1	W/ DOOR MIRROR SW. A.A.S. SW. & SPKR. CONT. SW.	
64 410		CONSOLE, REAR	FB03-64-411	1	W/O SW. PANEL	
		DARK GRAY	07			
		RED	10			
		BLUE	48			
			FB01-64-410C	1	STD., SE W/ SWITCH PANEL	
		DARK GRAY	07			
		RED	10			
		BLUE	48			
			FB02-64-410C	1	GXL, TURBO	
		DARK GRAY	07			
		RED	10			
		BLUE	48			
64 413		BRACKET, CONSOLE-NO. 1	FB01-64-44X	1	W/ SWITCH PANEL	
64 426		MAT, CONSOLE-REAR	FB01-64-425	1	W/ SWITCH PANEL	
64 430A		LOCK, CONSOLE-REAR	FB01-64-430	1	W/ SWITCH PANEL	
64 450		LID, CONSOLE	FB01-64-440B	1	W/ SWITCH PANEL	
		DARK GRAY	07			
		RED	10			

5570-2 CONSOLE



ITEM NO.	D-CODE	DESCRIPTION	PART NO.	QTY	MODEL/DESCRIPTION	REMARKS
64 450	(CONT'D)	BLUE	48			
64 470		HINGE	FB01-64-45X	1	W/ SWITCH PANEL	
		DARK GRAY	07			
		RED	10			
		BLUE	48			
64 481A		STOPPER, CONSOLE LID	FB01-64-452	1	W/ SWITCH PANEL	
64 482B		STOPPER, CONSOLE LID	FB01-64-453	1	W/ SWITCH PANEL	
64 493A		PACK, SILENT	H001-64-493	1		
64 494		PAD, CHANGE BOOT	FB01-64-495	1	M/T	
68 832		SHEET, BOOT	FB01-64-491	1	M/T	

5580-1 VENTILATOR



ITEM NO.	D-CODE	DESCRIPTION	PART NO.	QTY	MODEL/DESCRIPTION	REMARKS
60 161		GRILLE (R), DEMISTER	FB01-60-161A	1		
		DARK GRAY	07			
		RED	10			
		BLUE	48			
60 161Z		GRILLE (L), DEMISTER	FB01-60-171A	1		
		DARK GRAY	07			
		RED	10			
		BLUE	48			
60 181A		DUCT (R), SIDE DEMISTER	FB01-60-181	1		
60 181Y		DUCT (L), SIDE DEMISTER	FB01-60-191	1		
64 728A		GASKET (R)	FB01-64-728	1		
64 728Y		GASKET (L)	FB01-64-828	1		
64 750A		DUCT, CENTER	FB01-61-161	1		
64 771A		DUCT NO. 1 (R)	FB01-64-760	1		
64 771Y		DUCT NO. 1 (L)	FB01-64-770	1		
64 822A		DUCT NO. 1 (R), VENTILATOR	FB01-64-822	1		
64 822Y		DUCT NO. 1 (L), LAP-VENTILATOR	FB01-64-832A	1		
64 823		DUCT NO. 2 (R), LAP-VENTILATOR	FB01-64-823	1		
64 823A		DUCT NO. 2 (L), LAP-VENTILATOR	FB01-64-833	1		

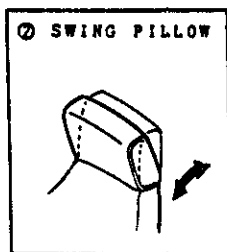
SECTION INDEX -- BODY

STARTING LOCATION	SECT. NO.	SECTION NAME	STARTING LOCATION	SECT. NO.	SECTION NAME	STARTING LOCATION	SECT. NO.	SECTION NAME
2 - C 3	0900A	KEY SETS	2 - L 6	5530	SPEEDOMETER CABLE	2 - L14	6230	LIFT GATE MECHANISMS (COUPE)
2 - E 3	5000	FRONT BUMPER	2 - M 6	5540	METER COMPONENTS (COUPE) (W/O ANTI-LOCK BRAKE SYSTEM)	2 - N14	6300A	WINDOW GLASSES
2 - F 3	5005	RADIATOR GRILLE	2 - C 7	5540A	METER COMPONENTS (COUPE) (ANTI-LOCK BRAKE SYSTEM)	2 - C15	6330	SUNROOF (COUPE)
2 - G 3	5010A	REAR BUMPER	2 - E 7	5540B	METER COMPONENTS (CONVERTIBLE)	2 - E15	6330A	SOFT TOP (CONVERTIBLE)
2 - H 3	5030A	WINDOW MOULDINGS	2 - F 7	5560	DASHBOARD & RELATED PARTS	2 - G15	6600B	SWITCHES & RELAYS (ENGINE) (W/O TURBO)
2 - I 3	5040A	BODY MOULDINGS	2 - I 7	5570	CONSOLE	2 - J15	6600BA	SWITCHES & RELAYS (ENGINE) (TURBO)
2 - J 3	5060A	SIDE PROTECTORS	2 - K 7	5580	VENTILATOR	2 - M15	6610	DASHBOARD SWITCHES (MANUAL OPERATING)
2 - K 3	5100	HEAD LAMPS	2 - C 8	5700A	FRONT SEATS (COUPE)	2 - N15	6611	COMBINATION SWITCH
2 - L 3	5103	HEAD LAMP RETRACTORS	2 - C 9	5700AA	FRONT SEATS (COUPE) (LEATHER)	2 - C16	6612	CLUSTER SWITCH
2 - M 3	5105	FRONT COMBINATION LAMPS	2 - C10	5700AB	FRONT SEATS (CONVERTIBLE) (CLOTH)	2 - D16	6615	POWER WINDOW SWITCHES
2 - C 4	5110A	REAR COMBINATION LAMPS	2 - F10	5700AC	FRONT SEATS (CONVERTIBLE) (LEATHER)	2 - E16	6620	DOOR SWITCH
2 - E 4	5120	LICENSE LAMPS	2 - J10	5750A	REAR SEATS (CLOTH)	2 - F16	6630	RELAYS & CPU (BODY)
2 - F 4	5125	INTERIOR LAMPS	2 - C11	5750AA	REAR SEATS (LEATHER)	2 - G16	6635	HORNS
2 - G 4	5130	OVERHEAD CONSOLE (COUPE)	2 - H11	5790A	SEAT BELTS	2 - H16	6640	AUTO CRUISE CONTROL SYSTEM
2 - H 4	5170	ORNAMENTS	2 - J11	5800A	FRONT DOORS (COUPE)	2 - I16	6680	AUDIO SYSTEMS (RADIO & TAPE DECK)
2 - I 4	5180	COWL & EXTRACTOR GILLES	2 - K11	5800AA	FRONT DOORS (CONVERTIBLE)			
2 - K 4	5230	HOOD	2 - C12	5830A	FRONT DOOR MECHANISMS (COUPE)			
2 - L 4	5260	TRUNK LID (CONVERTIBLE)	2 - H12	5830AA	FRONT DOOR MECHANISMS (CONVERTIBLE)			
2 - M 4	5310	BODY PANELS (FRONT) (COUPE)	2 - C13	5840A	FRONT DOOR TRIMS & RELATED PARTS (COUPE)			
2 - N 4	5310A	BODY PANELS (FRONT) (CONVERTIBLE)	2 - K13	5840AB	FRONT DOOR TRIMS & RELATED PARTS (CONVERTIBLE)			
2 - C 5	5320	BODY PANELS (FENDER & WHEEL APRON) (COUPE)	2 - N13	6100	HEATER			
2 - D 5	5320B	BODY PANELS (FENDER & WHEEL APRON) (CONVERTIBLE)	2 - C14	6110	HEATER UNIT COMPONENTS			
2 - E 5	5330	BODY PANELS (DASH & COWL PANEL)	2 - D14	6115	HEATER CONTROLS COMPONENTS			
2 - F 5	5340A	BODY PANELS (SIDE) (COUPE)	2 - E14	6120	HEATER BLOWER COMPONENTS			
2 - H 5	5340AA	BODY PANELS (SIDE) (CONVERTIBLE)	2 - F14	6130	AIR CONDITIONER (W/O AIR CONDITIONER)			
2 - K 5	5360A	BODY PANELS (ROOF) (COUPE)	2 - G14	6132A	CONDENSER PACKAGE			
2 - L 5	5370	BODY PANELS (FLOOR) (COUPE)	2 - I14	6142A	COMPRESSOR MOUNTING KIT, COMPRESSOR/CLUTCH ASSEMBLY & REPAIR PARTS			
2 - M 5	5370A	BODY PANELS (FLOOR) (CONVERTIBLE)	2 - J14	6152A	EVAPORATOR PACKAGE			
2 - C 6	5390	FLOOR ATTACHMENTS (COUPE)	2 - K14	6200	LIFT GATE			
2 - E 6	5390A	FLOOR ATTACHMENTS (CONVERTIBLE)						
2 - G 6	5500	DASHBOARD EQUIPMENTS (COUPE) (W/O ANTI-LOCK BRAKE SYSTEM)						
2 - I 6	5500A	DASHBOARD EQUIPMENTS (COUPE) (ANTI-LOCK BRAKE SYSTEM)						
2 - J 6	5500B	DASHBOARD EQUIPMENTS (CONVERTIBLE)						
2 - K 6	5520	METER HOOD						

(THIS ILLUSTRATION CONSISTS OF 4 PAGES)

(THIS ILLUSTRATION CONSISTS OF 4 PAGES)

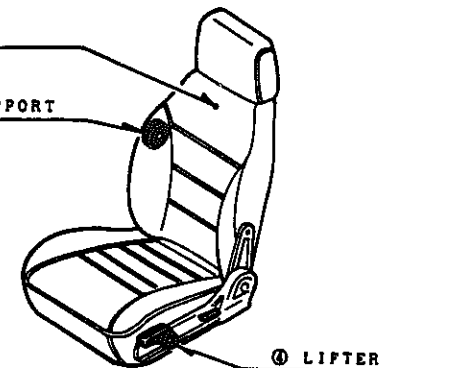
SEAT TYPE		STB	
GRADE		STD-2-SEAT USA-SE-2-SEAT *87-SPORT-PKG CAN-GX-2-SEAT	
SPECIFICATIONS		(CLOTH 'A') (-7701)	(CLOTH 'A') (7701-)
SEAT TRIM			
① SEAT BACK	HIGH	X	X
	LOW	-	-
② SWING PILLOW		-	-
DRIVER'S SEAT	③ LUMBAR SUPPORT	-	-
	④ LIFTER	-	-
⑤ REAR SEAT		-	-



STC	STD	STS		STM
GXL-2-SEAT	GXL-4-SEAT	STD-4-SEAT SE-4-SEAT		SPORT-PKG TURBO USA-GTU
(CLOTH 'B')	(CLOTH 'B')	(CLOTH 'A') (-7701)	(CLOTH 'A') (7701-)	(CLOTH 'C')
-	-	X	X	X
X	X	-	-	-
X	X	-	-	-
X	X	-	-	-
-	X	X	X	-

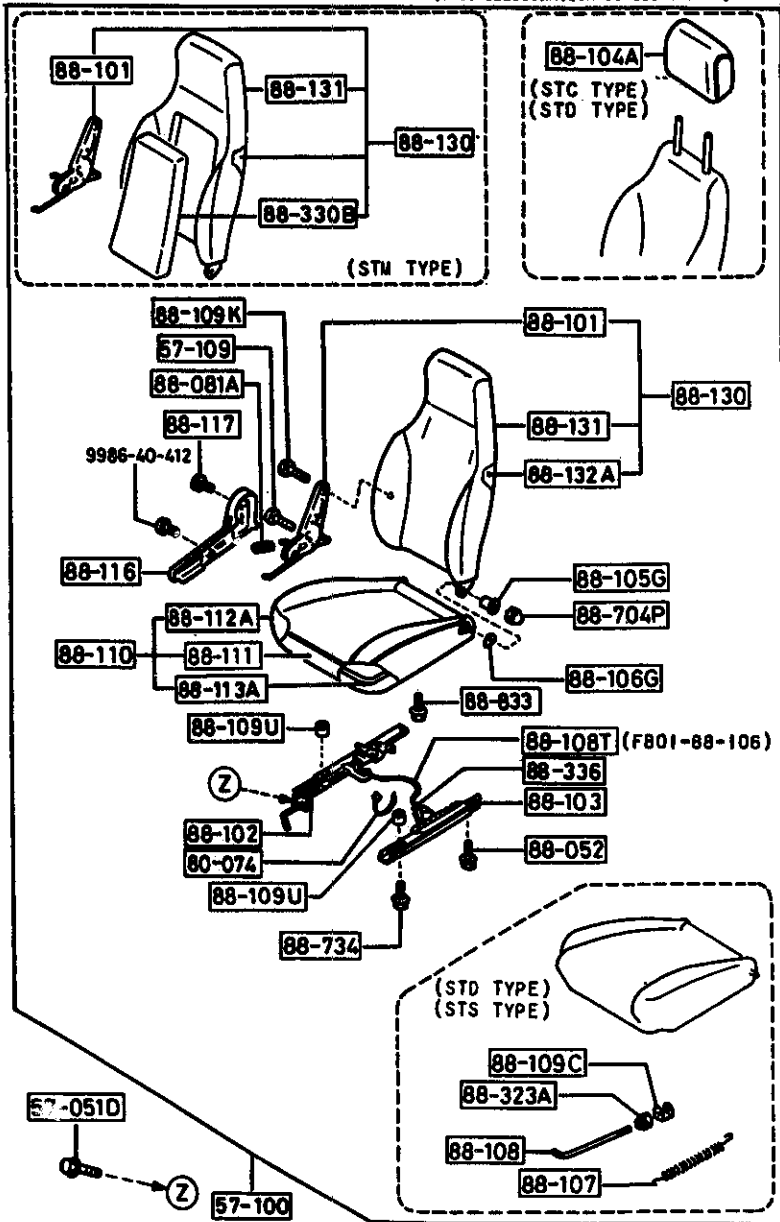
① SEAT BACK

③ LUMBAR SUPPORT

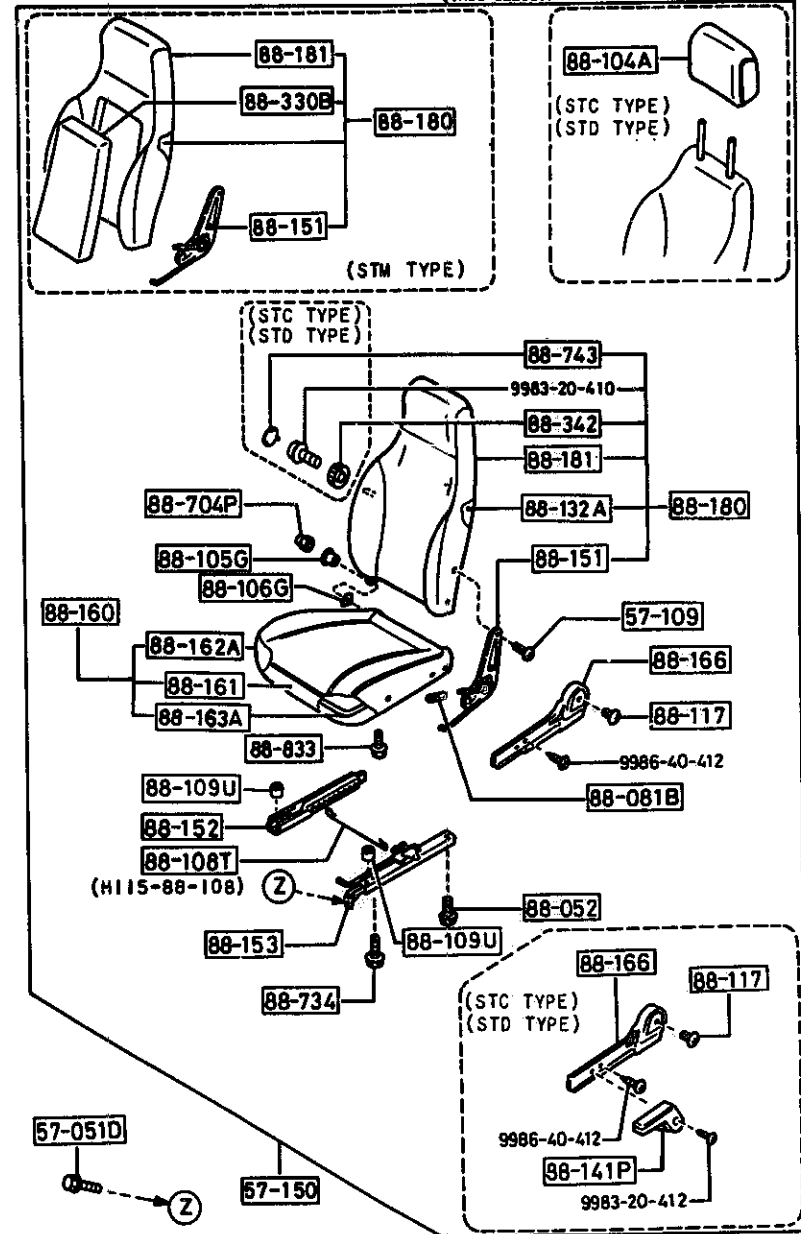


5700A-2 FRONT SEATS (COUPE)

(THIS ILLUSTRATION CONSISTS OF 4 PAGES)



(THIS ILLUSTRATION CONSISTS OF 4 PAGES)



**5700A-3 FRONT SEATS
(COUPE)**

SEE ILLUSTRATION/S AT FRAME 2 - C 8

ITEM NO.	D-CODE	DESCRIPTION	PART NO.	QTY	MODEL/DESCRIPTION	REMARKS
57 051D		BOLT, SET	UB40-57-05X	8		
57 100		SEAT (R), FRONT	FB44-57-100A	1	SPT, TURBO STM TYPE	
		GRAY/DARK GRAY	07			
		RED	10			
		BLUE	48			
			FB02-57-100B	1	STD, SE, SPT, STB TYPE	
		DARK GRAY/GRAY	07			
		RED	10			
		BLUE	48			
			FB03-57-100B	1	GXL, 2-SEATER STC TYPE	
		DARK GRAY/GRAY	07			
		RED	10			
		BLUE	48			
			FB04-57-100B	1	GXL, 2 2 STD TYPE	
		DARK GRAY/GRAY	07			
		RED	10			
		BLUE	48			
			FB08-57-100B	1	SE, 22 STS TYPE	
		DARK GRAY/GRAY	07	1		
		RED	10	1		
		BLUE	48			
57 109		SCREW, KNUCKLE	0259-57-109	4		
57 150		SEAT (L), FRONT	FB44-57-150A	1	SPT, TURBO STM TYPE	
		GRAY/DARK GRAY	07			
		RED	10			
		BLUE	48			
			FB02-57-150B	1	STD, SE, SPT STB, STS TYPE	
		DARK GRAY/GRAY	07			
		RED	10			
		BLUE	48			
			FB03-57-150B	1	GXL STC, STD TYPE	
		DARK GRAY/GRAY	07			
		RED	10			
		BLUE	48			
88 052		BOLT	B093-88-81B	2	GXL STC, STD TYPE	

**5700A-4 FRONT SEATS
(COUPE)**

ITEM NO.	D-CODE	DESCRIPTION	PART NO.	QTY	MODEL/DESCRIPTION	REMARKS
88 052 (CONT'D)				4	STD. SE, STP, TURBO	
					STB, STM, STS TYPE	
88 081A		KNOB (R), KNUCKLE DARK GRAY	8001-88-081 09	1		
		RED	10			
		BLUE	48			
88 081B		KNOB (L), KNUCKLE DARK GRAY	8001-88-091 09	1		
		RED	10			
		BLUE	48			
88 101		KNUCKLE (R), RECLINING	8F80-88-101	1	'87 SPT, SE 2-SEAT, GXL 2-SEAT STB, STC TYPE	
			8F82-88-101	1	SE 22, GXL 22 STD, STS TYPE	
			FB01-88-101	1	SPT. PKG., TURBO STM TYPE	
88 102		ADJUSTER, NO. 1	FB01-88-102B	1	'87 SPT, SE 2-SEAT, GXL 2-SEAT STB, STC TYPE	
			FB04-88-102B	1	GXL 22, SE 22 STD, STS TYPE	
88 103		ADJUSTER, NO. 2	FB01-88-103B	1		
88 104A		RESTRAINT, HEAD	FB03-88-140	2	GXL STC, STD TYPE	
		DARK GRAY/GRAY	07			
		RED	10			
		BLUE	48			
88 105G		BUSHING, HINGE	FB01-88-107	2		
88 106G		WASHER, HINGE	FB01-88-105	2		
88 107		SPRING, RETURN	F032-88-107	1	SE 22, GXL 22 STD, STS TYPE	
88 108		ROD	FB04-88-109	1	SE 22, GXL 22 STD, STS TYPE	
			FB44-88-109	4	SPT. PKG., TURBO STM TYPE	
88 108T		WIRE, RELEASE	FB01-88-106	1		
			H115-88-108	1		
88 109C		STOPPER	8643-88-109	1	SE 22, GXL 22 STD, STS TYPE	
88 109K		SCREW, KNUCKLE	B095-88-109	4		
88 110		CUSHION (R), FRONT SEAT	FB44-88-110	1	SPT. PKG., TURBO STM TYPE	
		GRAY	07			

SEE ILLUSTRATION/S AT FRAME 2 - C 8

**5700A-5 FRONT SEATS
(COUPE)**

ITEM NO.	D-CODE	DESCRIPTION	PART NO.	QTY	MODEL/DESCRIPTION	REMARKS	
	88 110 (CONT'D)	RED	10	1	SE STB, STS TYPE		
		BLUE	48				
			DARK GRAY/GRAY	07	1		GXL STC, STD TYPE
			RED	10			
			BLUE	48	1		GXL STC, STD TYPE
			DARK GRAY/GRAY	07			
			RED	10	1		GXL STC, STD TYPE
			BLUE	48			
		88 111	TRIM (R), SEAT CUSHION	FB03-88-111	1		GXL STC, STD TYPE
			DARK GRAY/GRAY	07			
			RED	10	1		SPT. PKG., TURBO STM TYPE
			BLUE	48			
				FB44-88-111	1		SE STB, STS TYPE
			GRAY	07			
			RED	10	1		SE STB, STS TYPE
			BLUE	48			
			DARK GRAY/GRAY	07	1		SE STB, STS TYPE
			RED	10			
			BLUE	48	1		SE STB, STS TYPE
			DARK GRAY/GRAY	07			
	88 116	COVER (R), KNUCKLE	F044-88-127A	1			
		DARK GRAY	07				
		RED	10	2			
		BLUE	48				
	88 117	SCREW, KNUCKLE	1243-88-117	2			
	88 130	BACK (R), FRONT SEAT	FB03-88-130				
		DARK GRAY/GRAY	07	1	GXL 2-SEAT STC TYPE		
		RED	10				
		BLUE	48	1	GXL 2 2 STD TYPE		
			FB04-88-130				
		DARK GRAY/GRAY	07	1	GXL 2 2 STD TYPE		
		RED	10				
		BLUE	48	1	GXL 2 2 STD TYPE		
		DARK GRAY/GRAY	07				
		RED	10	1	GXL 2 2 STD TYPE		
		BLUE	48				

SEE ILLUSTRATION/S AT FRAME 2 - C 8

**5700A-6 FRONT SEATS
(COUPE)**

SEE ILLUSTRATION/S AT FRAME 2 - C 8

ITEM NO.	D-CODE	DESCRIPTION	PART NO.	QTY	MODEL/DESCRIPTION	REMARKS
88 130 (CONT'D)			FB44-88-130	1	SPT. PKG., TURBO STM TYPE	
		GRAY	07			
		RED	10			
		BLUE	48			
			FB02-88-130	1	'87 SPT, SE 2-SEAT STB TYPE	
		DARK GRAY/GRAY	07			
		RED	10			
		BLUE	48			
			FB08-88-130	1	SE 22 STS TYPE	
		DARK GRAY	07			
		RED	10			
		BLUE	48			
88 131		TRIM (R), SEAT BACK	FB03-88-131	1	GXL STC, STD TYPE	
		DARK GRAY/GRAY	07			
		RED	10			
			FB44-68-131	1	SPT, TURBO STM TYPE	
		GRAY	07			
		RED	10			
			FB02-88-131	1	SE STB, STS TYPE	
		BLUE	48			
		DARK GRAY/GRAY	07			
88 141P		LEVER, LIFTER	FA58-88-831	1	GXL STC, STD TYPE	
		DARK GRAY	07			
		RED	10			
88 151		KNUCKLE (L), RECLINING	BF80-88-151	1	STD, SE, SPT, GXL STB, STC, STD, STS	
			FB01-88-151	1	SPT. PKG., TURBO STM TYPE	
88 152		ADJUSTER, NO. 3	FB01-88-152B	1		
88 153		ADJUSTER, NO. 4	FB01-88-153B	1		
88 160		CUSHION (L), FRONT SEAT	FB44-88-160	1	SPT. PKG., TURBO STM TYPE	

**5700A-7 FRONT SEATS
(COUPE)**

ITEM NO.	D-CODE	DESCRIPTION	PART NO.	QTY	MODEL/DESCRIPTION	REMARKS	
	88 160 (CONT'D)	GRAY	07	1	STD. SE, SPT STB, STS TYPE		
		RED	10				
		BLUE	48				
		FB02-88-160A					
		DARK GRAY/GRAY	07				
		RED	10				
		BLUE	48				
		FB03-88-160A					
		DARK GRAY/GRAY	07				
	RED	10					
	BLUE	48					
	88 161	TRIM (L), SEAT CUSHION	FB03-88-161		1	GXL STC, STD TYPE	
		DARK GRAY/GRAY	07				
		RED	10				
		BLUE	48				
		FB44-88-161					
		SPT. PKG., TURBO STM TYPE					
		GRAY	07				
		RED	10				
		BLUE	48				
	88 166	COVER (L), KNUCKLE	FB02-88-161		1	STD. SE, SPT STB, STS TYPE	
			DARK GRAY/GRAY	07			
			RED	10			
			BLUE	48			
FB03-88-177A							
GXL STC, STD TYPE							
DARK GRAY			07				
RED			10				
BLUE			48				
88 180	BACK (L), FRONT SEAT	FB04-88-177A		1	STD. SE, SPT, TURBO STB, STM, STS		
		DARK GRAY	07				
		RED	10				
		BLUE	48				
		FB03-88-180					
		GXL STC, STD TYPE					
		DARK GRAY/GRAY	07				
		RED	10				
		BLUE	48				

SEE ILLUSTRATION/S AT FRAME 2 - C 8

**5700A-8 FRONT SEATS
(COUPE)**

SEE ILLUSTRATION/S AT FRAME 2 - C 8

ITEM NO.	D-CODE	DESCRIPTION	PART NO.	QTY	MODEL/DESCRIPTION	REMARKS	
88 180 (CONT'D)			FB44-88-180	1	SPT PKG., TURBO STM TYPE		
		GRAY	07				
		RED	10				
		BLUE	48				
			FB02-88-180	1	STD, SPT, SE STB, STS TYPE		
		DARK GRAY/GRAY	07				
		RED	10				
		BLUE	48				
	88 181		TRIM (U), SEAT BACK	FB03-88-181	1	GXL STC, STD TYPE	
			DARK GRAY/GRAY	07			
			RED	10			
			BLUE	48			
			FB44-88-181	1	SPT., TURBO STM TYPE		
		GRAY	07				
	RED	10					
	BLUE	48					
		FB02-88-181	1	SE, STD, SPT. STB, STS TYPE			
	DARK GRAY/GRAY	07					
	RED	10					
	BLUE	48					
88 257Q		PAD, SPACER	H001-88-257	1	GXL 2 2, SE 22, STD, 22 STD, STS		
88 323A		V-NUT	1243-88-323	1	GXL 22, SE 22, STD 22 STD, STS		
88 336		RING, STOPPER	FA58-88-336	1			
88 342		DIAL, LUMBAR SUPPORT	FB03-88-385	1	GXL STC, STD TYPE		
		GRAY	07				
		RED	10				
	BLUE	48					
88 704P		NUT	B092-88-519	2			
88 734		BOLT	B092-88-818	2	GXL STC, STD TYPE		
				4	SE, SPT. STB, STS TYPE		
88 743		COVER, DIAL	FB03-88-386	1	GXL STC, STD TYPE		

**5700A-9 FRONT SEATS
(COUPE)**

	ITEM NO.	D-CODE	DESCRIPTION	PART NO.	QTY	MODEL/DESCRIPTION	REMARKS
<p style="text-align: center;">SEE ILLUSTRATION/S AT FRAME 2 - C 8</p>	88 743 (CONT'D)		GRAY	07			
			RED	10			
			BLUE	48			
	88 833		BOLT, ADJUSTER-FRT. SEAT	F044-88-833	4	SPT. PKG., TURBO STM TYPE	

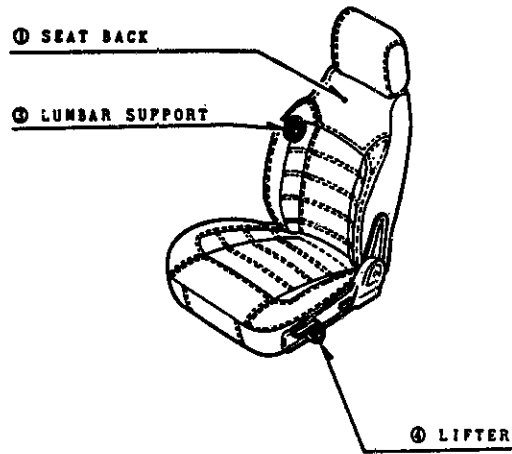
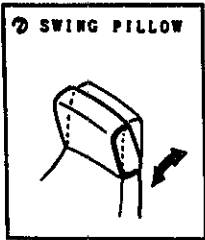
SECTION INDEX -- BODY

STARTING LOCATION	SECT. NO.	SECTION NAME	STARTING LOCATION	SECT. NO.	SECTION NAME	STARTING LOCATION	SECT. NO.	SECTION NAME
2 - C 3	0900A	KEY SETS	2 - L 6	5530	SPEEDOMETER CABLE	2 - L14	6230	LIFT GATE MECHANISMS (COUPE)
2 - E 3	5000	FRONT BUMPER	2 - M 4	5540	METER COMPONENTS (COUPE) (W/O ANTI-LOCK BRAKE SYSTEM)	2 - N14	6300A	WINDOW GLASSES
2 - F 3	5005	RADIATOR GRILLE	2 - C 7	5540A	METER COMPONENTS (COUPE) (ANTI-LOCK BRAKE SYSTEM)	2 - C15	6330	SUNROOF (COUPE)
2 - G 3	5010A	REAR BUMPER	2 - E 7	5540B	METER COMPONENTS (CONVERTIBLE)	2 - E15	6330A	SOFT TOP (CONVERTIBLE)
2 - H 3	5030A	WINDOW MOULDINGS	2 - F 7	5560	DASHBOARD & RELATED PARTS	2 - G15	6600B	SWITCHES & RELAYS (ENGINE) (W/O TURBO)
2 - I 3	5040A	BODY MOULDINGS	2 - I 7	5570	CONSOLE	2 - J15	6600BA	SWITCHES & RELAYS (ENGINE) (TURBO)
2 - J 3	5060A	SIDE PROTECTORS	2 - K 7	5580	VENTILIATOR	2 - M15	6610	DASHBOARD SWITCHES (MANUAL OPERATING)
2 - K 3	5100	HEAD LAMPS	2 - C 8	5700A	FRONT SEATS (COUPE)	2 - N15	6611	COMBINATION SWITCH
2 - L 3	5103	HEAD LAMP RETRACTORS	2 - C 9	5700AA	FRONT SEATS (COUPE) (LEATHER)	2 - C16	6612	CLUSTER SWITCH
2 - M 3	5105	FRONT COMBINATION LAMPS	2 - C10	5700AB	FRONT SEATS (CONVERTIBLE) (CLOTH)	2 - D16	6615	POWER WINDOW SWITCHES
2 - C 4	5110A	REAR COMBINATION LAMPS	2 - F10	5700AC	FRONT SEATS (CONVERTIBLE) (LEATHER)	2 - E16	6620	DOOR SWITCH
2 - E 4	5120	LICENSE LAMPS	2 - J10	5750A	REAR SEATS (CLOTH)	2 - F16	6630	RELAYS & CPU (BODY)
2 - F 4	5125	INTERIOR LAMPS	2 - C11	5750AA	REAR SEATS (LEATHER)	2 - G16	6635	HORNS
2 - G 4	5130	OVERHEAD CONSOLE (COUPE)	2 - H11	5790A	SEAT BELTS	2 - H16	6640	AUTO CRUISE CONTROL SYSTEM
2 - H 4	5170	ORNAMENTS	2 - J11	5800A	FRONT DOORS (COUPE)	2 - I16	6680	AUDIO SYSTEMS (RADIO & TAPE DECK)
2 - I 4	5180	COWL & EXTRACTOR GILLES	2 - K11	5800AA	FRONT DOORS (CONVERTIBLE)			
2 - K 4	5230	HOOD	2 - C12	5830A	FRONT DOOR MECHANISMS (COUPE)			
2 - L 4	5260	TRUNK LID (CONVERTIBLE)	2 - H12	5830AA	FRONT DOOR MECHANISMS (CONVERTIBLE)			
2 - M 4	5310	BODY PANELS (FRONT) (COUPE)	2 - C13	5840A	FRONT DOOR TRIMS & RELATED PARTS (COUPE)			
2 - N 4	5310A	BODY PANELS (FRONT) (CONVERTIBLE)	2 - K13	5840AB	FRONT DOOR TRIMS & RELATED PARTS (CONVERTIBLE)			
2 - C 5	5320	BODY PANELS (FENDER & WHEEL APRON) (COUPE)	2 - N13	6100	HEATER			
2 - D 5	5320B	BODY PANELS (FENDER & WHEEL APRON) (CONVERTIBLE)	2 - C14	6110	HEATER UNIT COMPONENTS			
2 - E 5	5330	BODY PANELS (DASH & COWL PANEL)	2 - D14	6115	HEATER CONTROLS COMPONENTS			
2 - F 5	5340A	BODY PANELS (SIDE) (COUPE)	2 - E14	6120	HEATER BLOWER COMPONENTS			
2 - H 5	5340AA	BODY PANELS (SIDE) (CONVERTIBLE)	2 - F14	6130	AIR CONDITIONER (W/O AIR CONDITIONER)			
2 - K 5	5360A	BODY PANELS (ROOF) (COUPE)	2 - G14	6132A	CONDENSER PACKAGE			
2 - L 5	5370	BODY PANELS (FLOOR) (COUPE)	2 - I14	6142A	COMPRESSOR MOUNTING KIT, COMPRESSOR/CLUTCH ASSEMBLY & REPAIR PARTS			
2 - M 5	5370A	BODY PANELS (FLOOR) (CONVERTIBLE)	2 - J14	6152A	EVAPORATOR PACKAGE			
2 - C 6	5390	FLOOR ATTACHMENTS (COUPE)	2 - K14	6200	LIFT GATE			
2 - E 6	5390A	FLOOR ATTACHMENTS (CONVERTIBLE)						
2 - G 6	5500	DASHBOARD EQUIPMENTS (COUPE) (W/O ANTI-LOCK BRAKE SYSTEM)						
2 - I 6	5500A	DASHBOARD EQUIPMENTS (COUPE) (ANTI-LOCK BRAKE SYSTEM)						
2 - J 6	5500B	DASHBOARD EQUIPMENTS (CONVERTIBLE)						
2 - K 6	5520	METER HOOD						

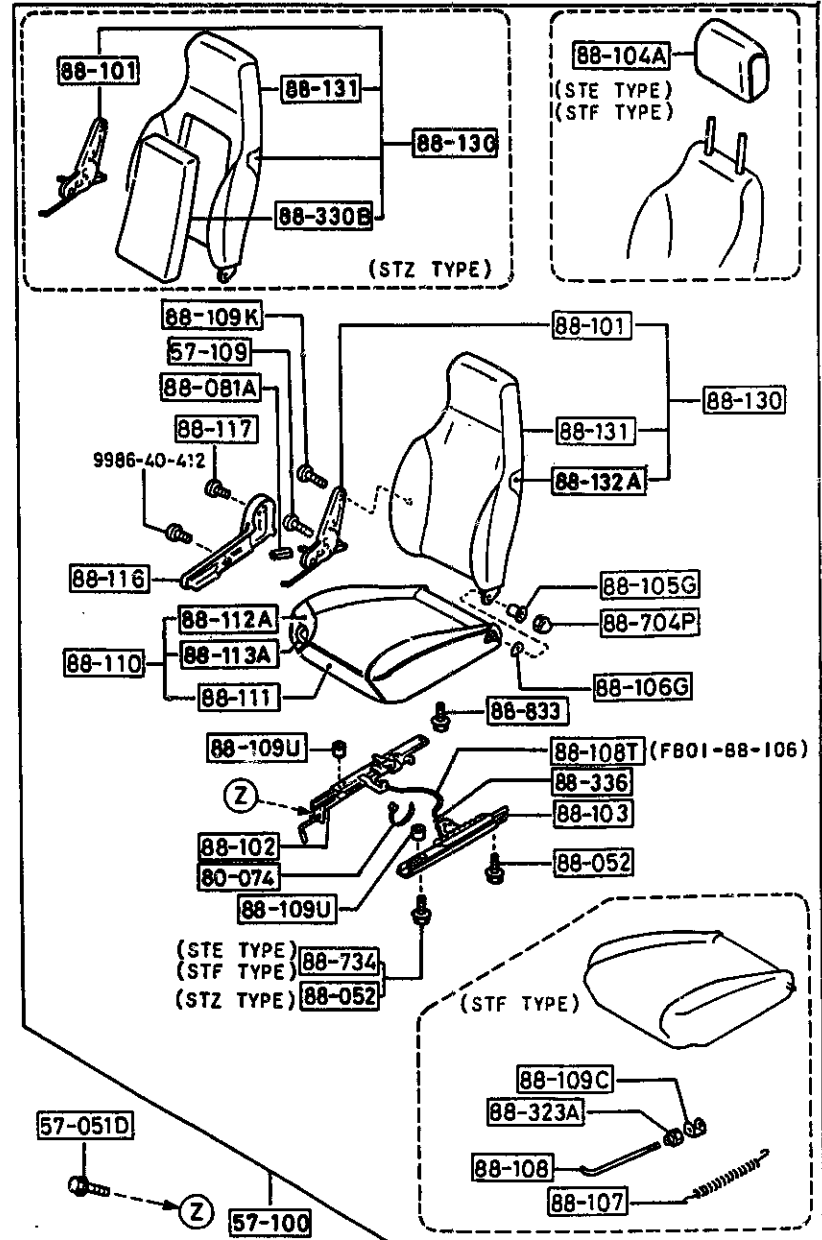
5700AA-1 FRONT SEATS (COUPE) (LEATHER)

(THIS ILLUSTRATION CONSISTS OF 9 PAGES)

SEAT TYPE		STE	STF	STZ
SPECIFICATIONS	GRADE	GXL-2-SEAT	GXL-4-SEAT	'88-TURBO, 10TH-ANNIV.
	LEATHER	LEATHER	LEATHER	LEATHER
SEAT TRIM				
① SEAT BACK	HIGH	-	-	X
	LOW	X	X	-
② SWING PILLOW		X	X	-
DRIVER'S SEAT	① LUMBAR SUPPORT	X	X	-
	② LIFTER	X	X	-
③ REAR SEAT		-	X	-

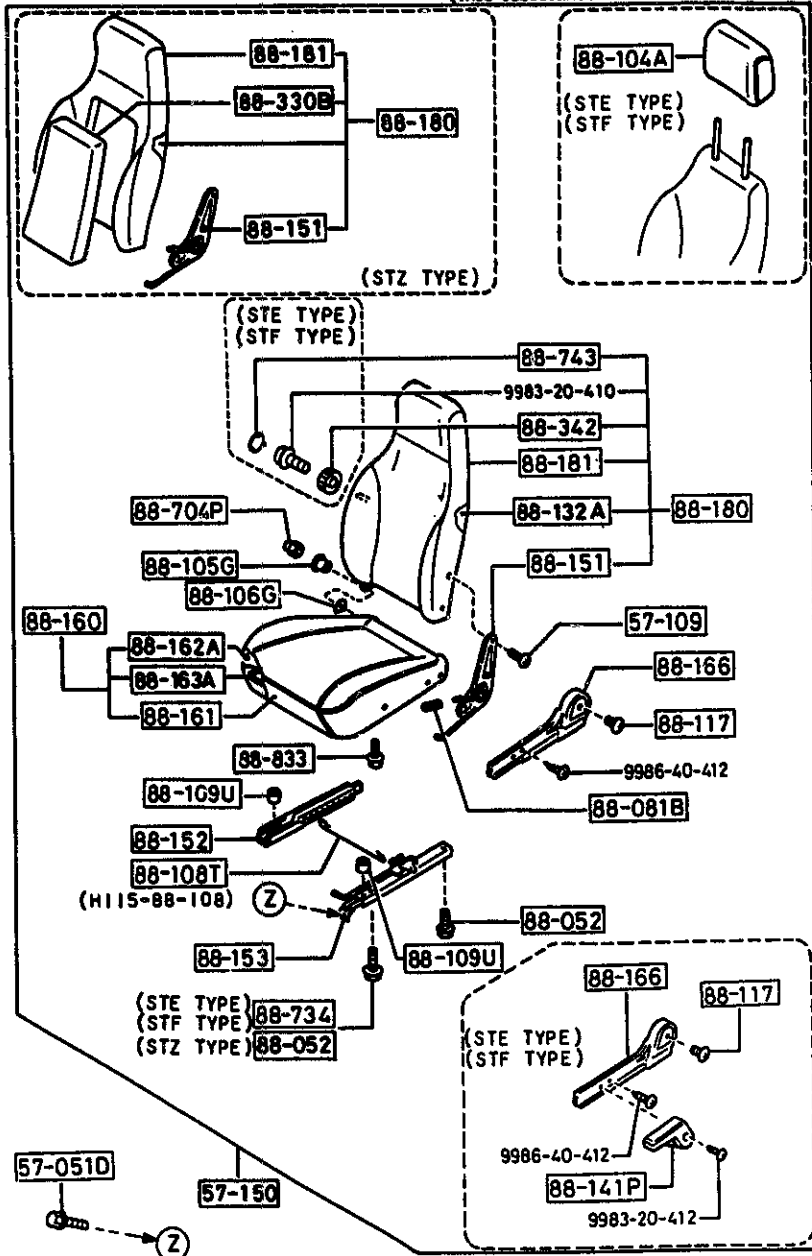


(THIS ILLUSTRATION CONSISTS OF 9 PAGES)



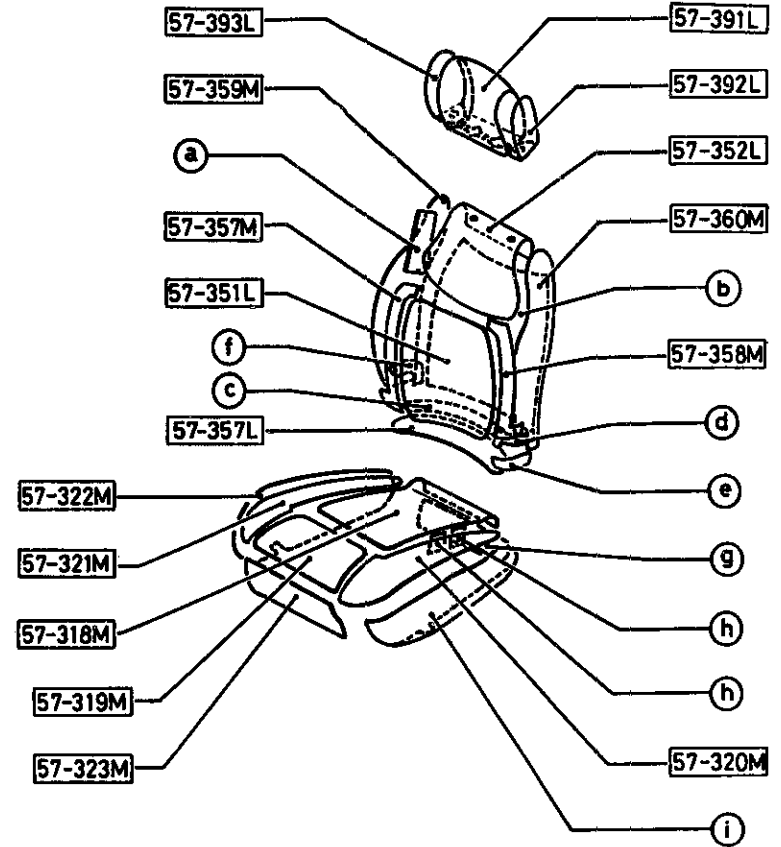
**5700AA-2 FRONT SEATS
(COUPE) (LEATHER)**

(THIS ILLUSTRATION CONSISTS OF 9 PAGES)



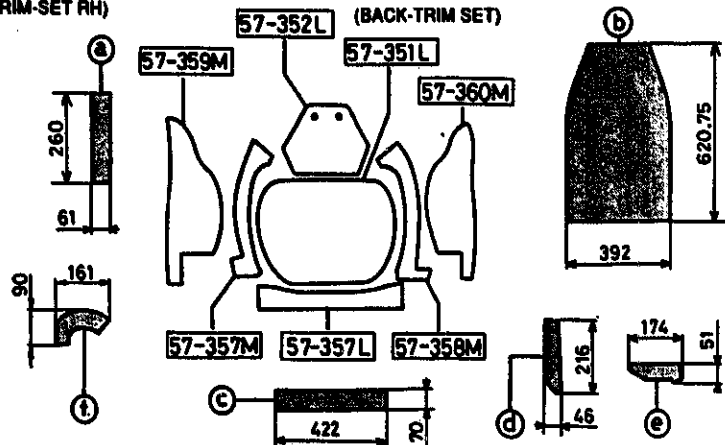
(STE TYPE)(STF TYPE)
(TRIM-SET RH)

(THIS ILLUSTRATION CONSISTS OF 9 PAGES)



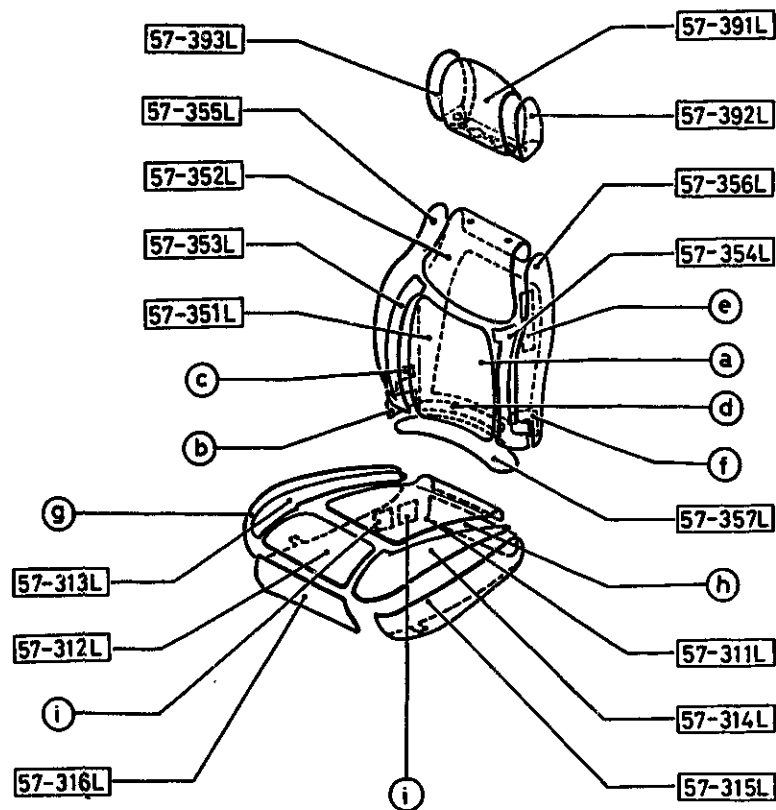
**5700AA-3 FRONT SEATS
(COUPE) (LEATHER)**

(STE TYPE) (STF TYPE)
(TRIM-SET RH)

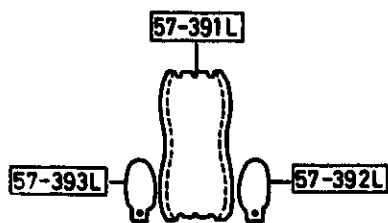


(STE TYPE) (STF TYPE)
(TRIM-SET LH)

(THIS ILLUSTRATION CONSISTS OF 9 PAGES)



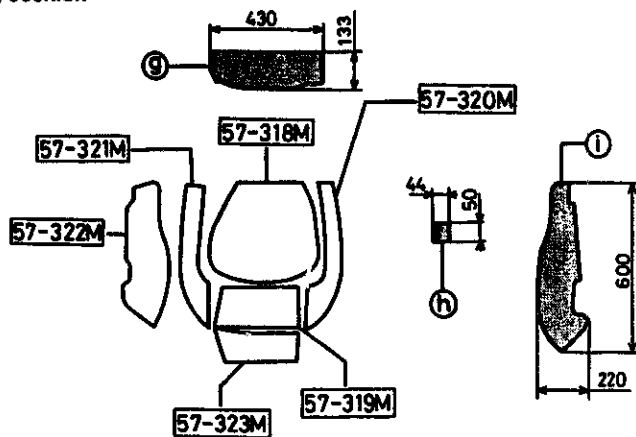
TRIM (R), HEAD REST



(NOTES)

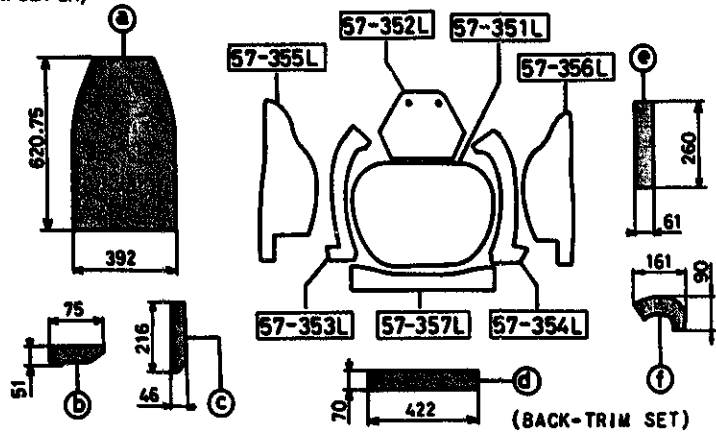
- A. PARTS INDICATED AS ARE MADE OF VINYL.
- B. LEATHER PATCHES ARE AVAILABLE FROM YOUR MAZDA DISTRIBUTORS UNDER DIFFERENT PART NUMBER THAN INDICATED. PLEASE REFER TO PARTS BULLETIN FOR DETAILS.

TRIM (R), CUSHION

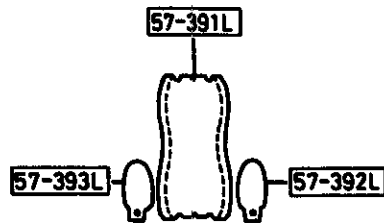


**5700AA-4 FRONT SEATS
(COUPE) (LEATHER)**

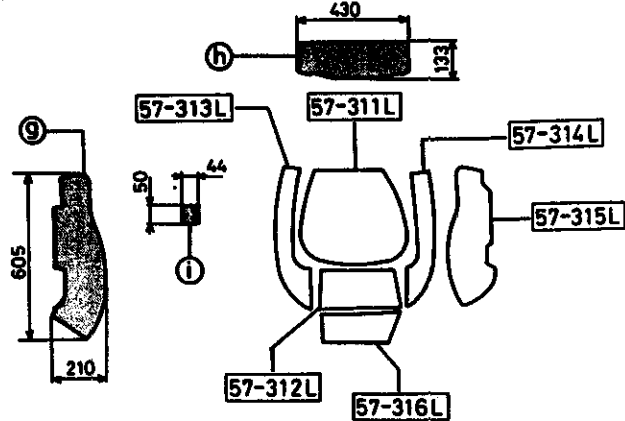
(STE TYPE) (STF TYPE)
(TRIM-SET LH)



TRIM(L), HEAD REST



TRIM(L), CUSHION

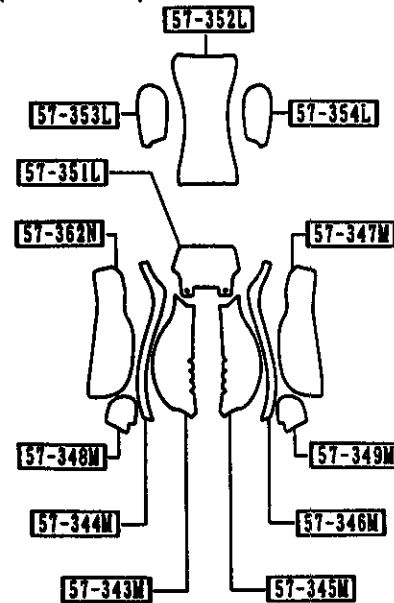


(THIS ILLUSTRATION CONSISTS OF 9 PAGES)

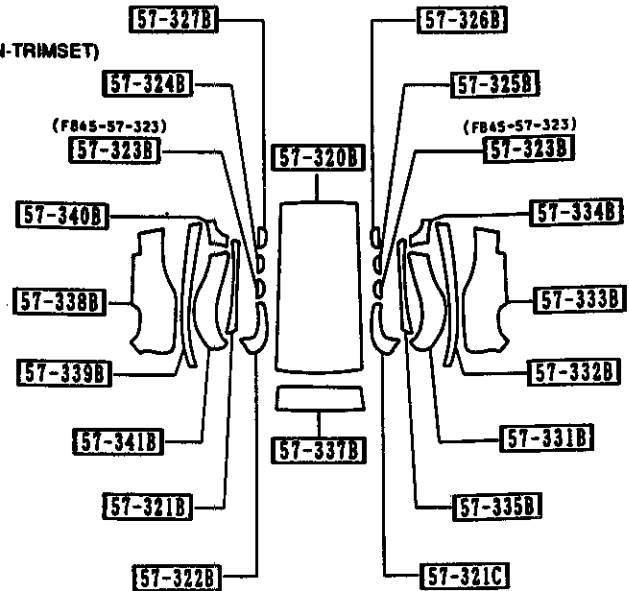
(NOTES)

- A. PARTS INDICATED AS ARE MADE OF VINYL.
- B. LEATHER PATCHES ARE AVAILABLE FROM YOUR MAZDA DISTRIBUTORS UNDER DIFFERENT PART NUMBER THAN INDICATED. PLEASE REFER TO PARTS BULLETIN FOR DETAILS.

(STZ TYPE)
(BACK-TRIMSET)



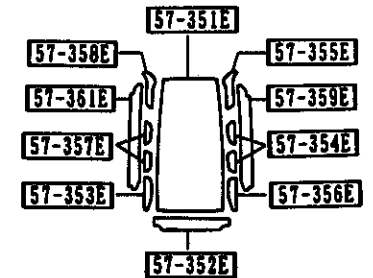
(CUSHION-TRIMSET)



(THIS ILLUSTRATION CONSISTS OF 9 PAGES)

(TRIM-SET RH)

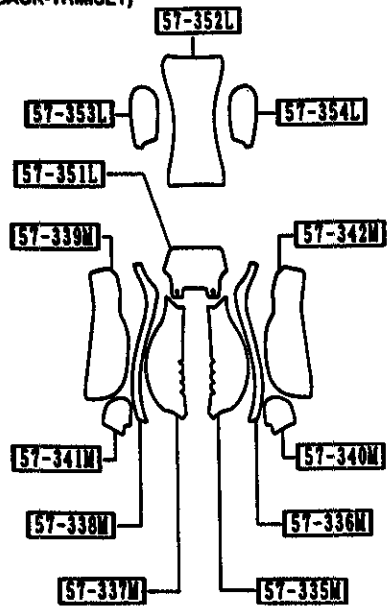
(BACK CENTER- TRIMSET)



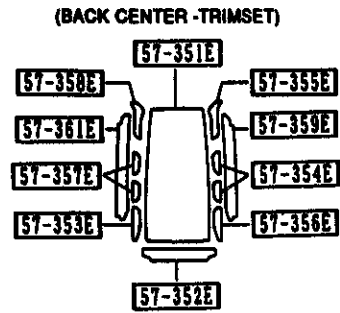
**5700AA-5 FRONT SEATS
(COUPE) (LEATHER)**

(THIS ILLUSTRATION CONSISTS OF 9 PAGES)

(STZ TYPE)
(BACK-TRIMSET)

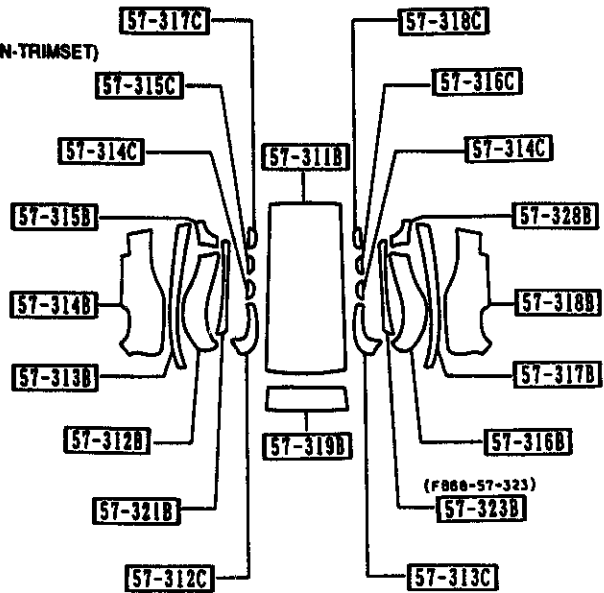


(TRIM-SET LH)



(BACK CENTER -TRIMSET)

(CUSHION-TRIMSET)



**5700AA-6 FRONT SEATS
(COUPE) (LEATHER)**

ITEM NO.	D-CODE	DESCRIPTION	PART NO.	QTY	MODEL/DESCRIPTION	REMARKS
57 051D		BOLT, SET	UB40-57-05X	8		
57 100		SEAT (R), FRONT	FB40-57-100	1	GXL 2-SEAT STF TYPE	
		DARK GRAY	07			
		RED	10			
		BLUE	48			
		DARK GRAY	FB61-57-100	1	GXL 22&STF TYPE	
		RED	07			
		BLUE	10			
		BLUE	48			
		DARK GRAY	FB46-57-100	1	'88 TURBO STZ TYPE	
		RED	09			
		BLUE	13			
		BLUE	49			
57 109		SCREW, KNUCKLE	0259-57-109	4		
57 150		SEAT (L), FRONT	FB40-57-150	1	GXL STE, STF TYPE	
		DARK GRAY	07			
		RED	10			
		BLUE	48			
57 311L		TRIM NO. 1, CUSHION	FB10-57-311	1	GXL STE, STF TYPE	
		DARK GRAY	07			
		RED	10			
		BLUE	48			
57 312L		TRIM NO. 2, CUSHION	FB10-57-312	1	GXL STE, STF TYPE	
		DARK GRAY	07			
		RED	10			
		BLUE	48			
57 313L		TRIM NO. 3, CUSHION	FB10-57-313	1	GXL STE, STF TYPE	
		DARK GRAY	07			
		RED	10			
		BLUE	48			
57 314L		TRIM NO. 4, CUSHION	FB10-57-314	1	GXL STE, STF TYPE	
		DARK GRAY	07			
		RED	10			
		BLUE	48			
57 315L		TRIM NO. 5, CUSHION	FB10-57-315	1	GXL STE, STF TYPE	
		DARK GRAY	07			
		RED	10			
		BLUE	48			

SEE ILLUSTRATION/S AT FRAME 2 - C 9

**5700AA-7 FRONT SEATS
(COUPE) (LEATHER)**

SEE ILLUSTRATION/S AT FRAME 2 - C 9

ITEM NO.	D-CODE	DESCRIPTION	PART NO.	QTY	MODEL/DESCRIPTION	REMARKS
57 316L		TRIM NO. 6, CUSHION	FB10-57-316	1	GXL STE, STF TYPE	
		DARK GRAY	07			
		RED	10			
57 318M		TRIM NO. 1 (R), CUSHION-FRT.	FB10-57-318	1	GXL STE, STF TYPE	
		DARK GRAY	07			
		RED	10			
57 319M		TRIM NO. 2 (R), CUSHION-FRT.	FB10-57-319	1	GXL STE, STF TYPE	
		DARK GRAY	07			
		RED	10			
57 320M		TRIM NO. 3 (R), CUSHION-FRT.	FB10-57-320	1	GXL STE, STF TYPE	
		DARK GRAY	07			
		RED	10			
57 321M		TRIM NO. 4 (R), CUSHION-FRT.	FB10-57-321	1	GXL STE, STF TYPE	
		DARK GRAY	07			
		RED	10			
57 322M		TRIM NO. 5 (R), CUSHION-FRT.	FB10-57-322	1	GXL STE, STF TYPE	
		DARK GRAY	07			
		RED	10			
57 323M		TRIM NO. 6 (R), CUSHION-FRT.	FB10-57-323	1	GXL STE, STF TYPE	
		DARK GRAY	07			
		RED	10			
57 351L		TRIM NO. 1, BACK	FB10-57-351	2	GXL STE, STF TYPE	
		DARK GRAY	07			
		RED	10			
57 352L		TRIM NO. 2, BACK	FB10-57-352	2	GXL STE, STF TYPE	
		DARK GRAY	07			
		RED	10			
57 353L		TRIM NO. 3, BACK	FB10-57-353	1	GXL STE, STF TYPE	

**5700AA-8 FRONT SEATS
(COUPE) (LEATHER)**

ITEM NO.	D-CODE	DESCRIPTION	PART NO.	QTY	MODEL/DESCRIPTION	REMARKS
57 353L (CONT'D)		DARK GRAY	07			
		RED	10			
		BLUE	48			
57 354L	TRIM NO. 4, BACK		FB10-57-354	1	GXL STE, STF TYPE	
		DARK GRAY	07			
		RED	10			
57 355L	TRIM NO. 5, BACK		FB10-57-355	1	GXL STE, STF TYPE	
		DARK GRAY	07			
		RED	10			
57 356L	TRIM NO. 6, BACK		FB10-57-356	1	GXL STE, STF TYPE	
		DARK GRAY	07			
		RED	10			
57 357L	TRIM NO. 7, BACK		FB10-57-361	2	GXL STE, STF TYPE	
		DARK GRAY	07			
		RED	10			
57 357M	TRIM NO. 3 (R), BACK-FIT.		FB10-57-357	1	GXL STE, STF TYPE	
		DARK GRAY	07			
		RED	10			
57 358M	TRIM NO. 4 (R), BACK-FIT.		FB10-57-358	1	GXL STE, STF TYPE	
		DARK GRAY	07			
		RED	10			
57 359M	TRIM NO. 5 (R), BACK-FIT.		FB10-57-359	1	GXL STE, STF TYPE	
		DARK GRAY	07			
		RED	10			
57 360M	TRIM NO. 6 (R), BACK-FIT.		FB10-57-360	1	GXL STE, STF TYPE	
		DARK GRAY	07			
		RED	10			
57 391L	TRIM NO. 1, HEAD REST		FB10-57-391	2	GXL STE, STF TYPE	
		DARK GRAY	07			

SEE ILLUSTRATION/S AT FRAME 2 - C 9

**5700AA-9 FRONT SEATS
(COUPE) (LEATHER)**

SEE ILLUSTRATION/S AT FRAME 2 - C 9

ITEM NO.	D-CODE	DESCRIPTION	PART NO.	QTY	MODEL/DESCRIPTION	REMARKS	
57 391L (CONTD)		RED	10				
		BLUE	48				
57 392L		TRM NO. 2, HEAD REST	FB10-57-392	2	GXL STF, STF TYPE		
		DARK GRAY	07				
		RED	10				
		BLUE	48				
57 393L		TRM NO. 3, HEAD REST	FB10-57-393	2	GXL STF, STF TYPE		
		DARK GRAY	07				
		RED	10				
		BLUE	48				
88 052		BOLT	8093-88-818	2	GXL STF, STF TYPE		
				4	'89 TURBO STZ TYPE	7701-	
88 081A		KNOB (R), KNUCKLE	B001-88-081	1			
				DARK GRAY	09		
				RED	10		
88 081B		KNOB (L), KNUCKLE	B001-88-091	1			
				DARK GRAY	09		
				RED	10		
88 101		KNUCKLE (R), RECLINING	BF80-88-101	1	GXL 2-SEAT STF TYPE		
			BF82-88-101	1	GXL 2 2 STF TYPE		
			FB01-88-101	1	'88 TURBO STZ TYPE	7701-	
88 102		ADJUSTER, NO. 1	FB01-88-102B	1	GXL 2-SEAT STF TYPE		
			FB04-88-102B	1	GXL 22 STF TYPE		
88 103		ADJUSTER, NO. 2	FB01-88-103B	1			
88 104A		RESTRAINT, HEAD	FB10-88-140	2	GXL STF, STF TYPE		
			DARK GRAY	07			
			RED	10			
88 105G		BUSHING, HINGE	FB01-88-107	2			
			FB01-88-105	2			
			F032-88-107	1	GXL 22 STF TYPE		
88 107		SPRING, RETURN	FB04-88-109	1	GXL 22 STF TYPE		
88 108		ROD	FB44-88-109	2	'88 TURBO STZ TYPE		

7701 FC33* -550169

**5700AA-10 FRONT SEATS
(COUPE) (LEATHER)**

ITEM NO.	D-CODE	DESCRIPTION	PART NO.	QTY	MODEL/DESCRIPTION	REMARKS
88 108T		WIRE, RELEASE	FB51-88-106	1	GXL 22, '88 TURBO STF, STZ TYPE	
88 109C		STOPPER	8643-88-109	1	GXL 22 STF TYPE	
88 109K		SCREW, KNUCKLE	B095-88-109	4		
88 110		CUSHION (R), FRONT SEAT	FB41-88-110A	1	GXL STE, STF TYPE	
		DARK GRAY	07			
		RED	10			
		BLUE	48			
			FB46-88-111	1	'88 TURBO STZ TYPE	
		DARK GRAY	09			
		RED	13			
		BLUE	49			
88 111		TRIM (R), SEAT CUSHION	FB10-88-111	1	GXL STE, STF TYPE	
		DARK GRAY	07			
		RED	10			
		BLUE	48			
			FB45-88-111	1	'88 TURBO STZ TYPE	
		DARK GRAY	09			
		RED	13			
		BLUE	49			
88 116		COVER (R), KNUCKLE	F044-88-127A	1		
		DARK GRAY	07			
		RED	10			
		BLUE	48			
88 117		SCREW, KNUCKLE	1243-88-117	2		
88 130		BACK (R), FRONT SEAT	FB10-88-130	1	GXL 2-SEAT STE TYPE	
		DARK GRAY	07			
		RED	10			
		BLUE	48			
			FB11-88-130	1	GXL 22 STF TYPE	
		DARK GRAY	07			
		RED	10			
		BLUE	48			
			FB45-88-130	1	'88 TURBO STZ TYPE	
		DARK GRAY	09			
		RED	13			
		BLUE	49			
88 131		TRIM (R), SEAT BACK	FB10-88-131	1	GXL STE, STF TYPE	

SEE ILLUSTRATION/S AT FRAME 2 - C 9

**5700AA-11 FRONT SEATS
(COUPE) (LEATHER)**

SEE ILLUSTRATION/S AT FRAME 2 - C 9

ITEM NO.	D-CODE	DESCRIPTION	PART NO.	QTY	MODEL/DESCRIPTION	REMARKS	
88 131 (CONT'D)		DARK GRAY	07				
		RED	10				
		BLUE	48				
			FB45-88-131	1	'88 TURBO STZ TYPE		
		DARK GRAY	09				
		RED	13				
		BLUE	49				
	88 141P	LEVER, LIFTER	FA58-88-131	1	GXL STE. STY TYPE		
		DARK GRAY	07				
		RED	10				
		BLUE	48				
	88 151	KNUCKLE R, RECLINING		BF00-88-151	1	GXL STE. STY TYPE	
			FB01-88-151	1	'88 TURBO STZ TYPE		
88 152	ADJUSTER, NO. 3	FB01-88-152B	1				
88 153	ADJUSTER, NO. 4	FB01-88-153B	1				
88 160	CUSHION R, FRONT SEAT		FB41-88-160A	1	GXL STE. STY TYPE		
		DARK GRAY	07				
		RED	10				
		BLUE	48				
			FB45-88-160	1	'88 TURBO STZ TYPE		
		DARK GRAY	09				
		RED	13				
		BLUE	49				
	88 161	TRIM R, SEAT CUSHION		FB10-88-161	1	GXL STE. STY TYPE	
			DARK GRAY	07			
			RED	10			
		BLUE	48				
		FB45-88-161	1	'88 TURBO STZ TYPE			
	DARK GRAY	09					
	RED	13					
	BLUE	49					
88 164	COVER R, KNUCKLE		FB03-88-177A	1	GXL STE. STY TYPE		
		DARK GRAY	07				
		RED	10				
		BLUE	48				
		FD44-88-177A	1	'88 TURBO STZ TYPE			

**5700AA-12 FRONT SEATS
(COUPE) (LEATHER)**

SEE ILLUSTRATION/S AT FRAME 2 - C 9

ITEM NO.	D-CODE	DESCRIPTION	PART NO.	QTY	MODEL/DESCRIPTION	REMARKS	
88 164 (CONT'D)		DARK GRAY	07				
		RED	10				
		BLUE	48				
88 180		BACK RL FRONT SEAT	FB10-88-180	1	GXL STF, STF TYPE		
		DARK GRAY	07				
		RED	10				
		BLUE	48				
			FB45-88-180	1	'88 TURBO STZ TYPE		
		DARK GRAY	09				
		RED	13				
		BLUE	49				
	88 181		TRM RL SEAT BACK	FB10-88-181	1	GXL STF, STF TYPE	
		DARK GRAY	07				
		RED	10				
		BLUE	48				
			FB45-88-181	1	'88 TURBO STZ TYPE		
		DARK GRAY	09				
		RED	13				
		BLUE	49				
	88 323A		U-NUT	1243-88-323	1	GXL 2 2 STF TYPE	
88 334			RING, STOPPER	FA58-88-334	1	GXL 22, '88 TURBO STF, STZ TYPE	
		88 342		DIAL, LUMBAR SUPPORT	FB03-88-385	1	GXL STF, STF TYPE
			GRAY	07			
	RED		10				
		BLUE	48				
	88 704P		NUT	B092-88-519	2		
		88 734		BOLT	B092-88-818	2	GXL STF, STF TYPE
88 743				COVER, DIAL	FB03-88-384	1	GXL STF, STF TYPE
			GRAY	07			
		RED	10				
		BLUE	48				
	88 833		BOLT, ADJUSTER-FRT. SEAT	F044-88-833	4	'88 TURBO STZ TYPE	

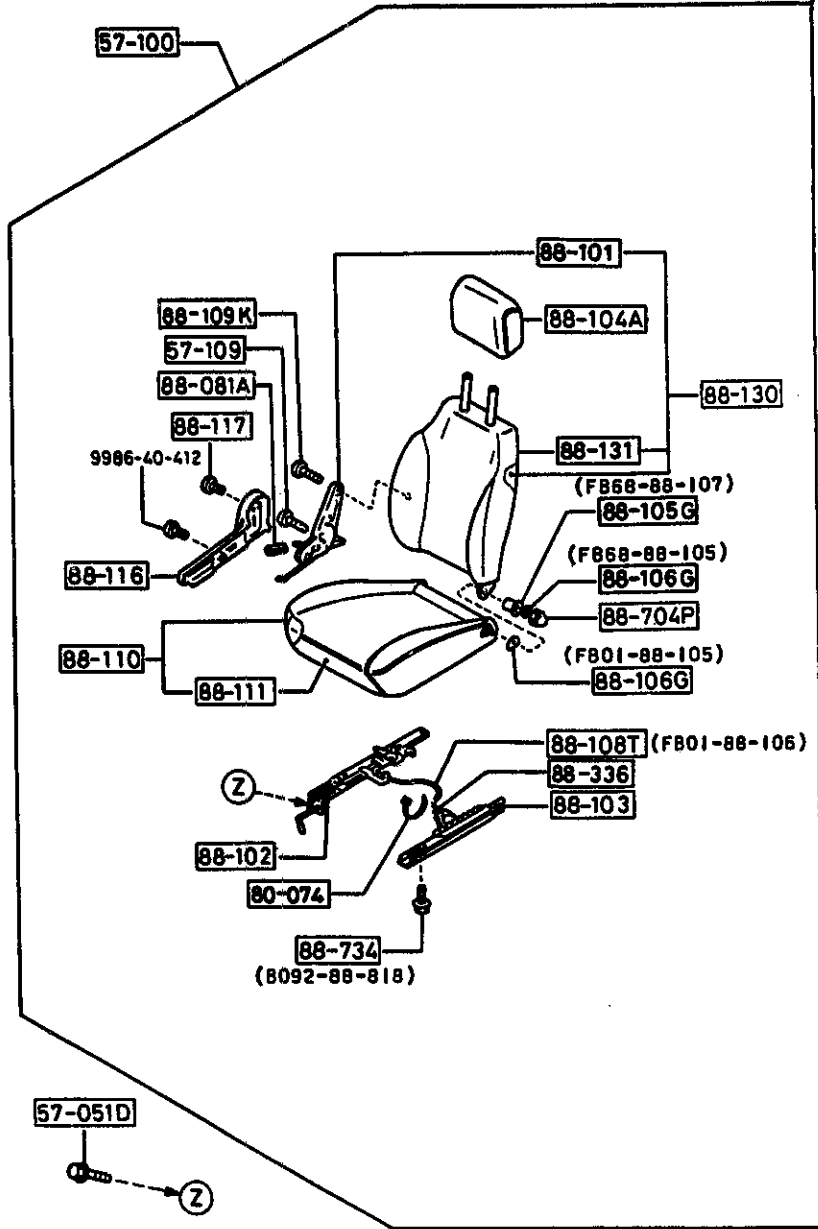
SECTION INDEX -- BODY

STARTING LOCATION	SECT. NO.	SECTION NAME	STARTING LOCATION	SECT. NO.	SECTION NAME	STARTING LOCATION	SECT. NO.	SECTION NAME
2 - C 3	0900A	KEY SETS	2 - L 6	5530	SPEEDOMETER CABLE	2 - L14	6230	LIFT GATE MECHANISMS (COUPE)
2 - E 3	5000	FRONT BUMPER	2 - M 6	5540	METER COMPONENTS (COUPE) (W/O ANTI-LOCK BRAKE SYSTEM)	2 - N14	6300A	WINDOW GLASSES
2 - F 3	5005	RADIATOR GRILLE	2 - C 7	5540A	METER COMPONENTS (COUPE) (ANTI-LOCK BRAKE SYSTEM)	2 - C15	6330	SUNROOF (COUPE)
2 - G 3	5010A	REAR BUMPER	2 - E 7	5540B	METER COMPONENTS (CONVERTIBLE)	2 - E15	6330A	SOFT TOP (CONVERTIBLE)
2 - H 3	5030A	WINDOW MOULDINGS	2 - F 7	5560	DASHBOARD & RELATED PARTS	2 - G15	6600B	SWITCHES & RELAYS (ENGINE) (W/O TURBO)
2 - I 3	5040A	BODY MOULDINGS	2 - I 7	5570	CONSOLE	2 - J15	6600BA	SWITCHES & RELAYS (ENGINE) (TURBO)
2 - J 3	5060A	SIDE PROTECTORS	2 - K 7	5580	VENTILATOR	2 - M15	6610	DASHBOARD SWITCHES (MANUAL OPERATING)
2 - K 3	5100	HEAD LAMPS	2 - C 8	5700A	FRONT SEATS (COUPE)	2 - N15	6611	COMBINATION SWITCH
2 - L 3	5103	HEAD LAMP RETRACTORS	2 - C 9	5700AA	FRONT SEATS (COUPE) (LEATHER)	2 - C16	6612	CLUSTER SWITCH
2 - M 3	5105	FRONT COMBINATION LAMPS				2 - D16	6615	POWER WINDOW SWITCHES
2 - C 4	5110A	REAR COMBINATION LAMPS	2 - C10	5700AB	FRONT SEATS (CONVERTIBLE) (CLOTH)	2 - E16	6620	DOOR SWITCH
2 - E 4	5120	LICENSE LAMPS	2 - F10	5700AC	FRONT SEATS (CONVERTIBLE) (LEATHER)	2 - F16	6630	RELAYS & CPU (BODY)
2 - F 4	5125	INTERIOR LAMPS	2 - J10	5750A	REAR SEATS (CLOTH)	2 - G16	6635	HORNS
2 - G 4	5130	OVERHEAD CONSOLE (COUPE)				2 - H16	6640	AUTO CRUISE CONTROL SYSTEM
2 - H 4	5170	ORNAMENTS				2 - I16	6680	AUDIO SYSTEMS (RADIO & TAPE DECK)
2 - I 4	5180	COWL & EXTRACTOR GILLES	2 - C11	5750AA	REAR SEATS (LEATHER)			
2 - K 4	5230	HOOD	2 - H11	5790A	SEAT BELTS			
2 - L 4	5260	TRUNK LID (CONVERTIBLE)	2 - J11	5800A	FRONT DOORS (COUPE)			
2 - M 4	5310	BODY PANELS (FRONT) (COUPE)	2 - K11	5800AA	FRONT DOORS (CONVERTIBLE)			
2 - N 4	5310A	BODY PANELS (FRONT) (CONVERTIBLE)	2 - C12	5830A	FRONT DOOR MECHANISMS (COUPE)			
2 - C 5	5320	BODY PANELS (FENDER & WHEEL APRON) (COUPE)	2 - H12	5830AA	FRONT DOOR MECHANISMS (CONVERTIBLE)			
2 - D 5	5320B	BODY PANELS (FENDER & WHEEL APRON) (CONVERTIBLE)	2 - C13	5840A	FRONT DOOR TRIMS & RELATED PARTS (COUPE)			
2 - E 5	5330	BODY PANELS (DASH & COWL PANEL)	2 - K13	5840AB	FRONT DOOR TRIMS & RELATED PARTS (CONVERTIBLE)			
2 - F 5	5340A	BODY PANELS (SIDE) (COUPE)	2 - N13	6100	HEATER			
2 - H 5	5340AA	BODY PANELS (SIDE) (CONVERTIBLE)	2 - C14	6110	HEATER UNIT COMPONENTS			
2 - K 5	5360A	BODY PANELS (ROOF) (COUPE)	2 - D14	6115	HEATER CONTROLS COMPONENTS			
2 - L 5	5370	BODY PANELS (FLOOR) (COUPE)	2 - E14	6120	HEATER BLOWER COMPONENTS			
2 - M 5	5370A	BODY PANELS (FLOOR) (CONVERTIBLE)	2 - F14	6130	AIR CONDITIONER (W/O AIR CONDITIONER)			
2 - C 6	5390	FLOOR ATTACHMENTS (COUPE)	2 - G14	6132A	CONDENSER PACKAGE			
2 - E 6	5390A	FLOOR ATTACHMENTS (CONVERTIBLE)	2 - I14	6142A	COMPRESSOR MOUNTING KIT, COMPRESSOR/CLUTCH ASSEMBLY & REPAIR PARTS			
2 - G 6	5500	DASHBOARD EQUIPMENTS (COUPE) (W/O ANTI-LOCK BRAKE SYSTEM)	2 - J14	6152A	EVAPORATOR PACKAGE			
2 - I 6	5500A	DASHBOARD EQUIPMENTS (COUPE) (ANTI-LOCK BRAKE SYSTEM)	2 - K14	6200	LIFT GATE			
2 - J 6	5500B	DASHBOARD EQUIPMENTS (CONVERTIBLE)						
2 - K 6	5520	METER HOOD						

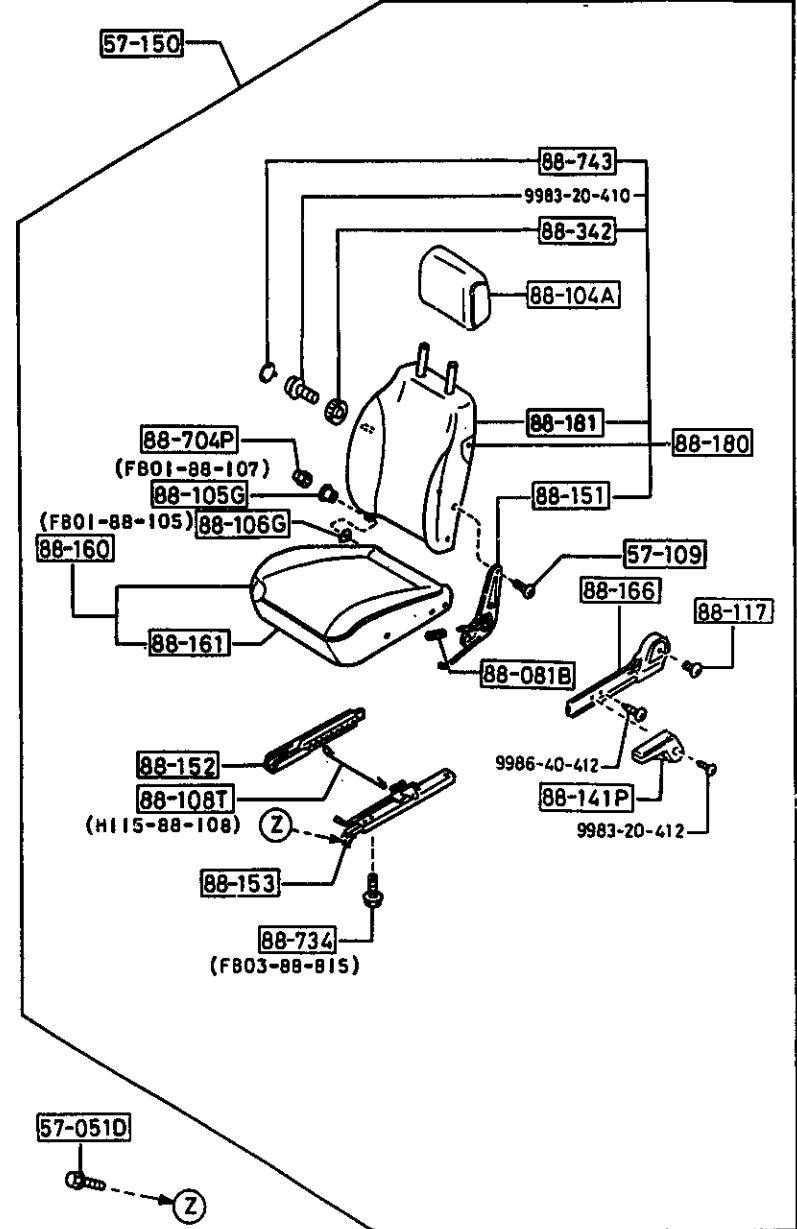
2 - B10

**5700AB-1 FRONT SEATS
(CONVERTIBLE) (CLOTH)**

(THIS ILLUSTRATION CONSISTS OF 2 PAGES)



(THIS ILLUSTRATION CONSISTS OF 2 PAGES)



**5700AB-2 FRONT SEATS
(CONVERTIBLE) (CLOTH)**

SEE ILLUSTRATION/S AT FRAME 2 - C10

ITEM NO.	D-CODE	DESCRIPTION	PART NO.	QTY	MODEL/DESCRIPTION	REMARKS
57 051D		BOLT, SET	UB40-57-05X	8		
57 100		SEAT (R), FRONT DARK GRAY/GRAY BLUE	FB67-57-100 07 48	1		
57 109		SCREW, KNUCKLE	0259-57-109	4		
57 150		SEAT (L), FRONT DARK GRAY/GRAY BLUE	FB67-57-150 07 48	1		
88 081A		KNOB (R), KNUCKLE DARK GRAY BLUE	B001-88-081 09 48	1		
88 081B		KNOB (L), KNUCKLE DARK GRAY BLUE	B001-88-091 09 48	1		
88 101		KNUCKLE (R), RECLINING	FB01-88-101	1		
88 102		ADJUSTER, NO. 1	FB67-88-102	1		
88 103		ADJUSTER, NO. 2	FB01-88-103B	1		
88 104A		RESTRAINT, HEAD DARK GRAY/GRAY BLUE	FB67-88-140 07 48	2		
88 105G		BUSHING, HINGE	FB01-88-107 FB68-88-107	1 1		
88 106G		WASHER, HINGE	FB01-88-105 FB68-88-105	2 1		
88 109T		WIRE, RELEASE	FB01-88-106 H115-88-108	1 1		
88 109K		SCREW, KNUCKLE	B095-88-109	2		
88 110		CUSHION (R), FRONT SEAT DARK GRAY/GRAY BLUE	FB67-88-110 07 48	1		
88 111		TRIM (R), SEAT CUSHION DARK GRAY/GRAY BLUE	FB67-88-111 07 48	1		
88 116		COVER (R), KNUCKLE DARK GRAY BLUE	F044-88-127A 07 48	1		
88 117		SCREW, KNUCKLE	1243-88-117	2		
88 130		BACK (R), FRONT SEAT DARK GRAY/GRAY BLUE	FB67-88-130 07 48	1		
88 131		TRIM (R), SEAT BACK	FB67-88-131	1		

5700AB-3

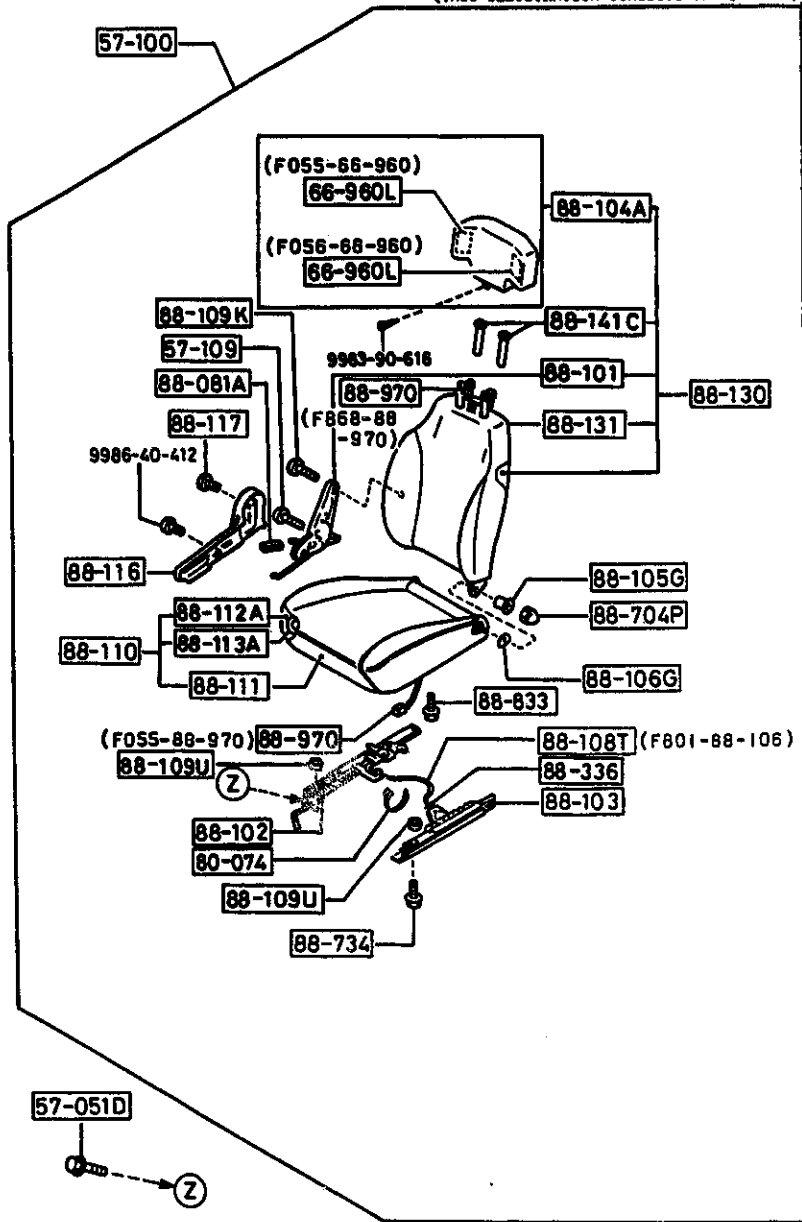
**FRONT SEATS
(CONVERTIBLE) (CLOTH)**

ITEM NO.	D-CODE	DESCRIPTION	PART NO.	QTY	MODEL/DESCRIPTION	REMARKS
88 131 (CONT'D)		DARK GRAY/GRAY	07			
		BLUE	48			
88 141P		LEVER, LIFTER	FA58-88-831	1		
		DARK GRAY	07			
		BLUE	48			
88 151		KNUCKLE (L), RECLINING	FB01-88-151	1		
88 152		ADJUSTER, NO. 3	FB01-88-152B	1		
88 153		ADJUSTER, NO. 4	FB67-88-153	1		
88 160		CUSHION (L), FRONT SEAT	FB67-88-160	1		
		DARK GRAY/GRAY	07			
		BLUE	48			
88 161		TRIM (L), SEAT CUSHION	FB67-88-161	1		
		DARK GRAY/GRAY	07			
		BLUE	48			
88 166		COVER (L), KNUCKLE	FB03-88-177A	1		
		DARK GRAY	07			
		BLUE	48			
88 180		BACK (L), FRONT SEAT	FB67-88-180	1		
		DARK GRAY/GRAY	07			
		BLUE	48			
88 181		TRIM (L), SEAT BACK	FB67-88-181	1		
		DARK GRAY/GRAY	07			
		BLUE	48			
88 336		RING, STOPPER	FA58-88-336	1		
88 342		DIAL, LUMBAR SUPPORT	FB03-88-385	1		
		GRAY	07			
		BLUE	48			
88 704P		NUT	B092-88-519	2		
88 734		BOLT	FB03-88-815	4		
			B092-88-818	4		
88 743		COVER, DIAL	FB03-88-386	1		
		GRAY	07			
		BLUE	48			

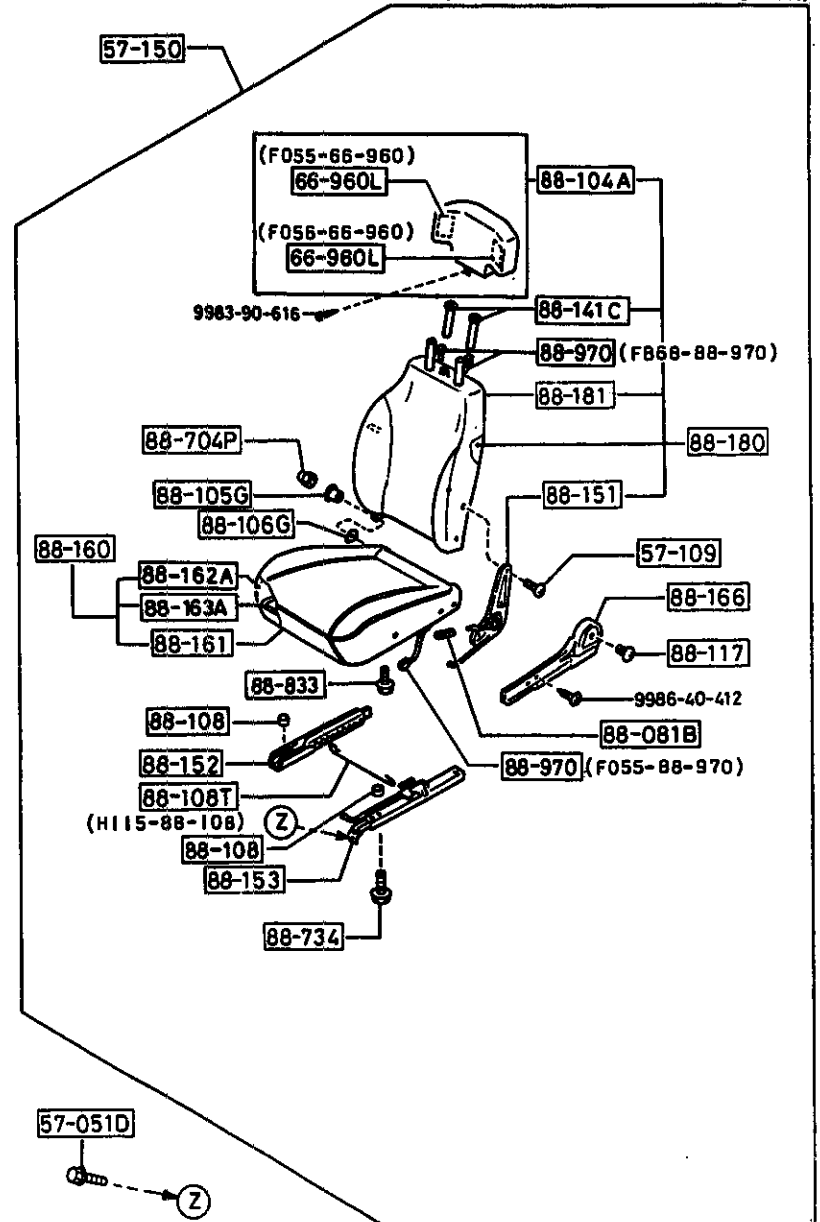
SEE ILLUSTRATION/S AT FRAME 2 - C10

**5700AC-1 FRONT SEATS
(CONVERTIBLE) (LEATHER)**

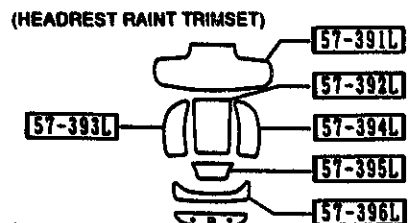
(THIS ILLUSTRATION CONSISTS OF 4 PAGES)



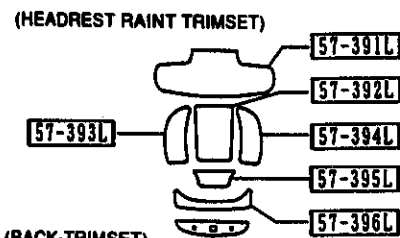
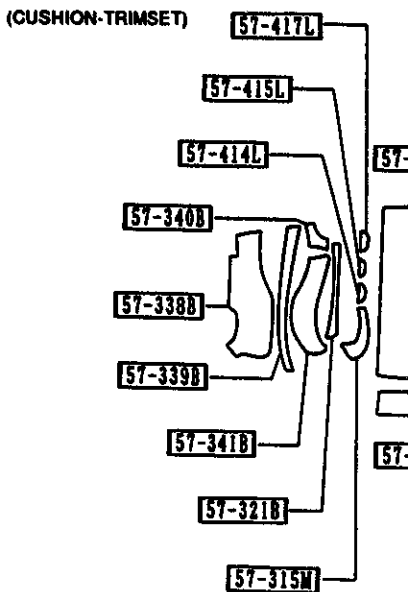
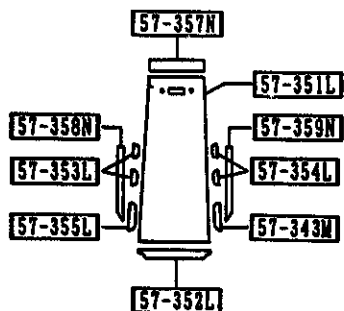
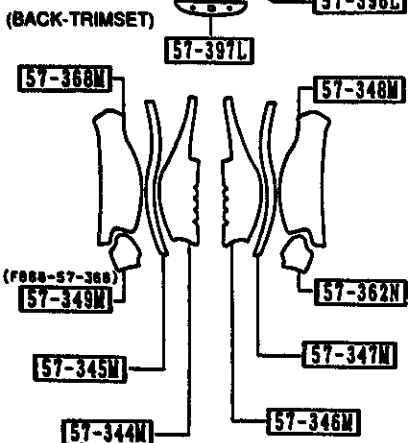
(THIS ILLUSTRATION CONSISTS OF 4 PAGES)



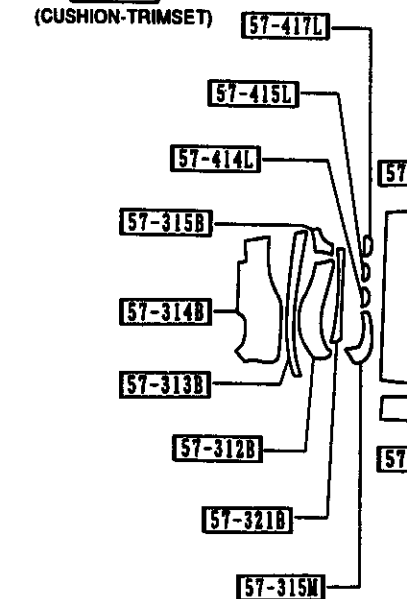
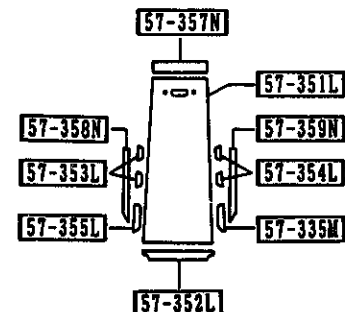
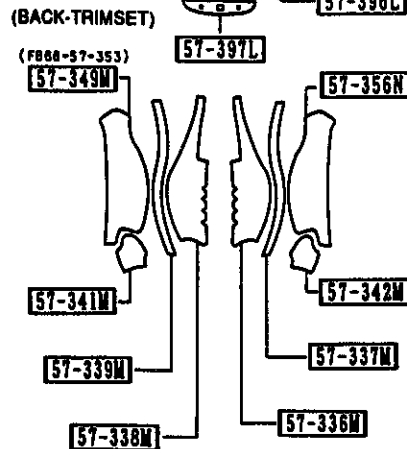
**5700AC-2 FRONT SEATS
(CONVERTIBLE) (LEATHER)**



(THIS ILLUSTRATION CONSISTS OF 4 PAGES)
(TRIM-SET RH)



(THIS ILLUSTRATION CONSISTS OF 4 PAGES)
(TRIM-SET LH)



**5700AC-3 FRONT SEATS
(CONVERTIBLE) (LEATHER)**

SEE ILLUSTRATION/S AT FRAME 2 - F10

ITEM NO.	D-CODE	DESCRIPTION	PART NO.	QTY	MODEL/DESCRIPTION	REMARKS
57 051D		BOLT, SET	UB40-57-05X	8		
57 100		SEAT (R), FRONT	FB69-57-100	1		
		DARK GRAY	07			
		BLUE	48			
57 109		SCREW, KNUCKLE	2155-57-109	4		
57 150		SEAT (L), FRONT	FB69-57-150	1		
		DARK GRAY	07			
		BLUE	48			
66 960L		SPEAKER (L), W/ BOX & AMP.	0000-81-5822	2		
			0000-81-5823	2		
66 965A		CORD, SPEAKER	F055-66-970	2		
88 081A		KNOB (R), KNUCKLE	B001-88-081	1		
		DARK GRAY	09			
		BLUE	48			
88 081B		KNOB (L), KNUCKLE	B001-88-091	1		
		DARK GRAY	09			
		BLUE	48			
88 101		KNUCKLE (R), RECLINING	FB01-88-101	1		
88 102		ADJUSTER, NO. 1	FB67-88-102	1		
88 103		ADJUSTER, NO. 2	FB01-88-103B	1		
88 104A		RESTRAINT, HEAD	FB68-88-140	2		
		DARK GRAY	07			
		BLUE	48			
88 105G		BUSHING, HINGE	FB68-88-107	2		
88 106G		WASHER, HINGE	FB01-88-105	2		
88 108		ROD	FB44-88-109	4		
88 108T		WIRE, RELEASE	FB01-88-106	1		
			H115-88-108	1		
88 109K		SCREW, KNUCKLE	B095-88-109	4		
88 110		CUSHION (R), FRONT SEAT	FB68-88-110	1		
		DARK GRAY	07			
		BLUE	48			
88 111		TRIM (R), SEAT CUSHION	FB68-88-111	1		
		DARK GRAY	07			
		BLUE	48			
88 116		COVER (R), KNUCKLE	F044-88-127A	1		
		DARK GRAY	07			
		BLUE	48			
88 117		SCREW, KNUCKLE	1243-88-117	2		
88 130		BACK (R), FRONT SEAT	FB68-88-130	1		
		DARK GRAY	07			

**5700AC-4 FRONT SEATS
(CONVERTIBLE) (LEATHER)**

ITEM NO.	D-CODE	DESCRIPTION	PART NO.	QTY	MODEL/DESCRIPTION	REMARKS
88 130 (CONT'D)		BLUE	48			
88 131		TRIM (R), SEAT BACK	FB68-88-131	1		
		DARK GRAY	07			
		BLUE	48			
88 141C		GUIDE, POLE-NO. 1	FB68-88-134	4		
		DARK GRAY	07			
		BLUE	48			
88 151		KNUCKLE (L), RECLINING	FB01-88-151	1		
88 152		ADJUSTER NO. 3	FB01-88-152B	1		
88 153		ADJUSTER NO. 4	FB67-88-153	1		
88 160		CUSHION (L), FRONT SEAT	FB68-88-160	1		
		DARK GRAY	07			
		BLUE	48			
88 161		TRIM (L), SEAT CUSHION	FB68-88-161	1		
		DARK GRAY	07			
		BLUE	48			
88 166		COVER (L), KNUCKLE	F044-88-177A	1		
		DARK GRAY	07			
		BLUE	48			
88 180		BACK (L), FRONT SEAT	FB68-88-180	1		
		DARK GRAY	07			
		BLUE	48			
88 181		TRIM (L), SEAT BACK	FB68-88-181	1		
		DARK GRAY	07			
		BLUE	48			
88 336		RING, STOPPER	FA58-88-336	1		
88 704P		NUT	B092-88-519	2		
88 734		BOLT	B092-88-818	4		
88 833		BOLT, ADJUSTER-FRT. SEAT	F044-88-833	4		
88 970		CORD, SHORT-FRT. SEAT BACK	FB68-88-970	2		

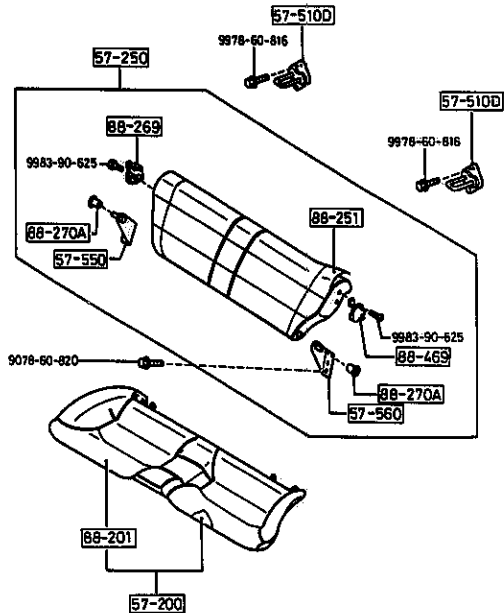
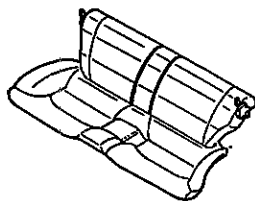
SEE ILLUSTRATION/S AT FRAME 2 - F10

5750A-1 REAR SEATS (CLOTH)

(THIS ILLUSTRATION CONSISTS OF 2 PAGES)

(THIS ILLUSTRATION CONSISTS OF 2 PAGES)

SEAT TYPE	STD	STS		
	GRADE	STD-4	SE-4	
SPECIFICATIONS	GXL	(CLOTH'B)	(CLOTH'A) (-770)	(CLOTH'A) (770)-
SEAT TRIM				



**5750A-2 REAR SEATS
(CLOTH)**

ITEM NO.	D-CODE	DESCRIPTION	PART NO.	QTY	MODEL/DESCRIPTION	REMARKS
	57 200	CUSHION, REAR SEAT	FB09-57-200	1	GXL STD TYPE	
		DARK GRAY/GRAY	07			
		RED	10			
		BLUE	48			
		FB38-57-200	1	STD, SE		
		DARK GRAY/GRAY	07			
	57 250	BACK, REAR SEAT	FB09-57-250	1	GXL STD TYPE	
		DARK GRAY/GRAY	07			
		RED	10			
		BLUE	48			
		FB38-57-250	1	STD, SE STS TYPE		
		DARK GRAY/GRAY	07			
57 510D		STRIKER, RR. SEAT CUSHION	FB10-57-510	2		
57 550		HINGE (R), REAR BACK	FB10-57-550	1		
57 560		HINGE (L), REAR BACK	FB10-57-560	1		
	88 201	TRIM, REAR SEAT CUSHION	FB09-88-201A	1	GXL STD TYPE	
		DARK GRAY/GRAY	07			
		RED	10			
		BLUE	48			
		FB38-88-201A	1	STD, SE STS TYPE		
		DARK GRAY/GRAY	07			
	88 251	TRIM, REAR SEAT BACK	FB09-88-251	1	GXL STD TYPE	
		DARK GRAY/GRAY	07			
		RED	10			
		BLUE	48			
		FB38-88-251	1	STD, SE STS TYPE		
		DARK GRAY/GRAY	07			
88 269		CATCH (R), RR. SEAT BACK	FB10-88-269	1		

SEE ILLUSTRATION/S AT FRAME 2 - J10

**5750A-3 REAR SEATS
(CLOTH)**

SEE ILLUSTRATION/S AT FRAME 2 - J10

ITEM NO.	D-CODE	DESCRIPTION	PART NO.	QTY	MODEL/DESCRIPTION	REMARKS
	88 270A	TUBE	8001-88-270	2		
	88 469	CATCH (L. RR. SEAT BACK	FB10-88-469	1		

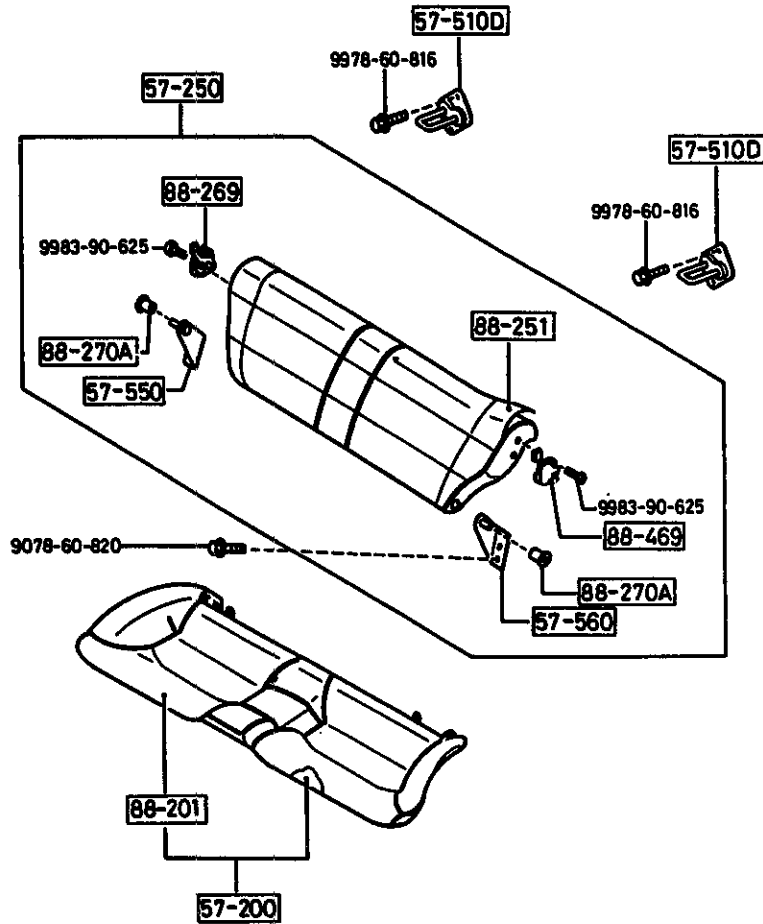
SECTION INDEX -- BODY

STARTING LOCATION	SECT. NO.	SECTION NAME	STARTING LOCATION	SECT. NO.	SECTION NAME	STARTING LOCATION	SECT. NO.	SECTION NAME
2 - C 3	0900A	KEY SETS	2 - L 6	5530	SPEEDOMETER CABLE	2 - L14	6230	LIFT GATE MECHANISMS (COUPE)
2 - E 3	5000	FRONT BUMPER	2 - M 6	5540	METER COMPONENTS (COUPE) (W/O ANTI-LOCK BRAKE SYSTEM)	2 - N14	6300A	WINDOW GLASSES
2 - F 3	5005	RADIATOR GRILLE	2 - C 7	5540A	METER COMPONENTS (COUPE) (ANTI-LOCK BRAKE SYSTEM)	2 - C15	6330	SUNROOF (COUPE)
2 - G 3	5010A	REAR BUMPER	2 - E 7	5540B	METER COMPONENTS (CONVERTIBLE)	2 - E15	6330A	SOFT TOP (CONVERTIBLE)
2 - H 3	5030A	WINDOW MOULDINGS	2 - F 7	5560	DASHBOARD & RELATED PARTS	2 - G15	6600B	SWITCHES & RELAYS (ENGINE) (W/O TURBO)
2 - I 3	5040A	BODY MOULDINGS	2 - I 7	5570	CONSOLE	2 - J15	6600BA	SWITCHES & RELAYS (ENGINE) (TURBO)
2 - J 3	5060A	SIDE PROTECTORS	2 - K 7	5580	VENTILATOR	2 - M15	6610	DASHBOARD SWITCHES (MANUAL OPERATING)
2 - K 3	5100	HEAD LAMPS	2 - C 8	5700A	FRONT SEATS (COUPE)	2 - N15	6611	COMBINATION SWITCH
2 - L 3	5103	HEAD LAMP RETRACTORS	2 - C 9	5700AA	FRONT SEATS (COUPE) (LEATHER)	2 - C16	6612	CLUSTER SWITCH
2 - M 3	5105	FRONT COMBINATION LAMPS	2 - C10	5700AB	FRONT SEATS (CONVERTIBLE) (CLOTH)	2 - D16	6615	POWER WINDOW SWITCHES
2 - C 4	5110A	REAR COMBINATION LAMPS	2 - F10	5700AC	FRONT SEATS (CONVERTIBLE) (LEATHER)	2 - E16	6620	DOOR SWITCH
2 - E 4	5120	LICENSE LAMPS	2 - J10	5750A	REAR SEATS (CLOTH)	2 - F16	6630	RELAYS & CPU (BODY)
2 - F 4	5125	INTERIOR LAMPS				2 - G16	6635	HORNS
2 - G 4	5130	OVERHEAD CONSOLE (COUPE)				2 - H16	6640	AUTO CRUISE CONTROL SYSTEM
2 - H 4	5170	ORNAMENTS				2 - I16	6680	AUDIO SYSTEMS (RADIO & TAPE DECK)
2 - I 4	5180	COWL & EXTRACTOR GILLES						
2 - K 4	5230	HOOD	2 - C11	5750AA	REAR SEATS (LEATHER)			
2 - L 4	5260	TRUNK LID (CONVERTIBLE)	2 - H11	5790A	SEAT BELTS			
2 - M 4	5310	BODY PANELS (FRONT) (COUPE)	2 - J11	5800A	FRONT DOORS (COUPE)			
2 - N 4	5310A	BODY PANELS (FRONT) (CONVERTIBLE)	2 - K11	5800AA	FRONT DOORS (CONVERTIBLE)			
2 - C 5	5320	BODY PANELS (FENDER & WHEEL APRON) (COUPE)						
2 - D 5	5320B	BODY PANELS (FENDER & WHEEL APRON) (CONVERTIBLE)	2 - C12	5830A	FRONT DOOR MECHANISMS (COUPE)			
2 - E 5	5330	BODY PANELS (DASH & COWL PANEL)	2 - H12	5830AA	FRONT DOOR MECHANISMS (CONVERTIBLE)			
2 - F 5	5340A	BODY PANELS (SIDE) (COUPE)	2 - C13	5840A	FRONT DOOR TRIMS & RELATED PARTS (COUPE)			
2 - H 5	5340AA	BODY PANELS (SIDE) (CONVERTIBLE)	2 - K13	5840AB	FRONT DOOR TRIMS & RELATED PARTS (CONVERTIBLE)			
2 - K 5	5360A	BODY PANELS (ROOF) (COUPE)	2 - N13	6100	HEATER			
2 - L 5	5370	BODY PANELS (FLOOR) (COUPE)	2 - C14	6110	HEATER UNIT COMPONENTS			
2 - M 5	5370A	BODY PANELS (FLOOR) (CONVERTIBLE)	2 - D14	6115	HEATER CONTROLS COMPONENTS			
2 - C 6	5390	FLOOR ATTACHMENTS (COUPE)	2 - E14	6120	HEATER BLOWER COMPONENTS			
2 - E 6	5390A	FLOOR ATTACHMENTS (CONVERTIBLE)	2 - F14	6130	AIR CONDITIONER (W/O AIR CONDITIONER)			
2 - G 6	5500	DASHBOARD EQUIPMENTS (COUPE) (W/O ANTI-LOCK BRAKE SYSTEM)	2 - G14	6132A	CONDENSER PACKAGE			
2 - I 6	5500A	DASHBOARD EQUIPMENTS (COUPE) (ANTI-LOCK BRAKE SYSTEM)	2 - I14	6142A	COMPRESSOR MOUNTING KIT, COMPRESSOR/CLUTCH ASSEMBLY & REPAIR PARTS			
2 - J 6	5500B	DASHBOARD EQUIPMENTS (CONVERTIBLE)	2 - J14	6152A	EVAPORATOR PACKAGE			
2 - K 6	5520	METER HOOD	2 - K14	6200	LIFT GATE			

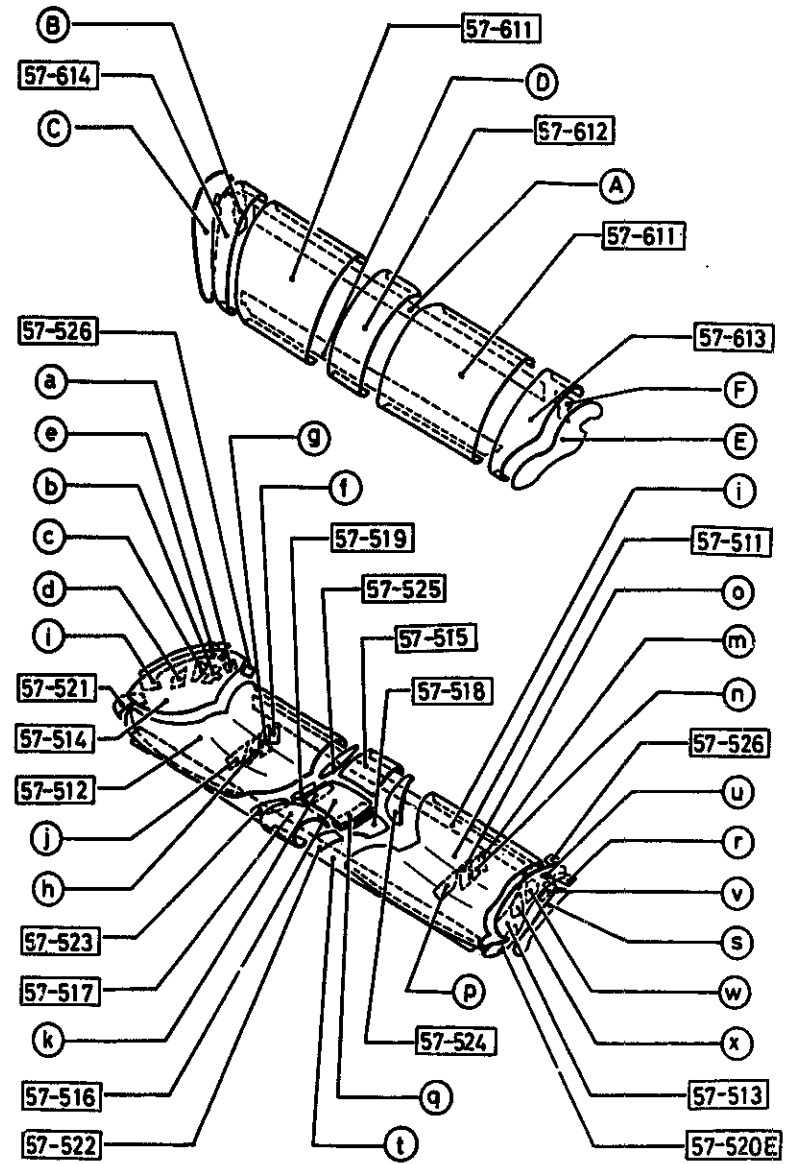
2 - B11

**5750AA-1 REAR SEATS
(LEATHER)**

(THIS ILLUSTRATION CONSISTS OF 4 PAGES)



(THIS ILLUSTRATION CONSISTS OF 4 PAGES)



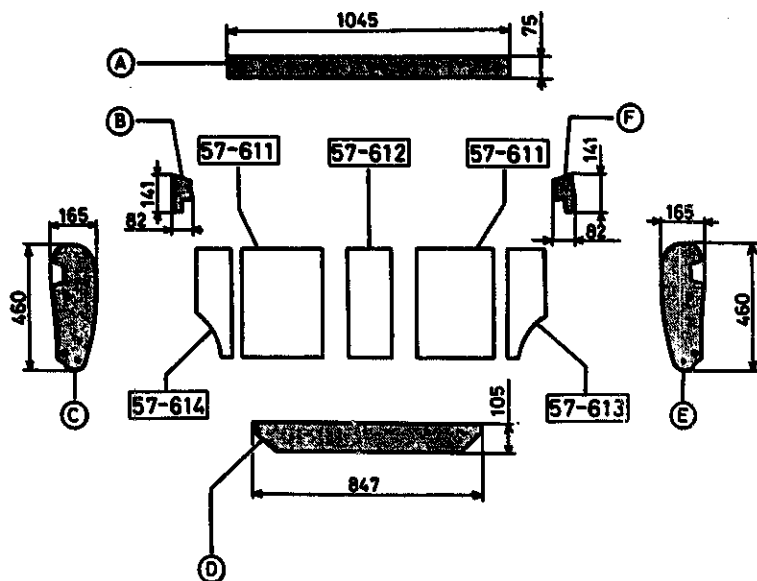
**5750AA-2 REAR SEATS
(LEATHER)**

TRIM REAR BACK

(THIS ILLUSTRATION CONSISTS OF 4 PAGES)

(NOTES)

- A. PARTS INDICATED AS  ARE MADE OF VINYL.
- B. LEATHER PATCHES ARE AVAILABLE FROM YOUR MAZDA DISTRIBUTORS UNDER DIFFERENT PART NUMBER THAN INDICATED. PLEASE REFER TO PARTS BULLETIN FOR DETAILS.

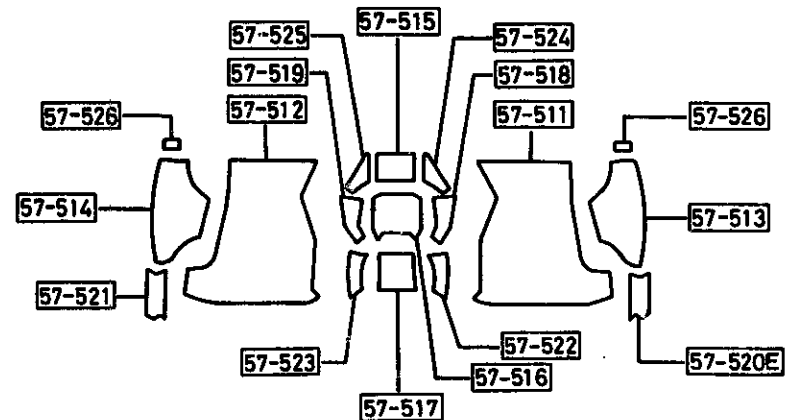
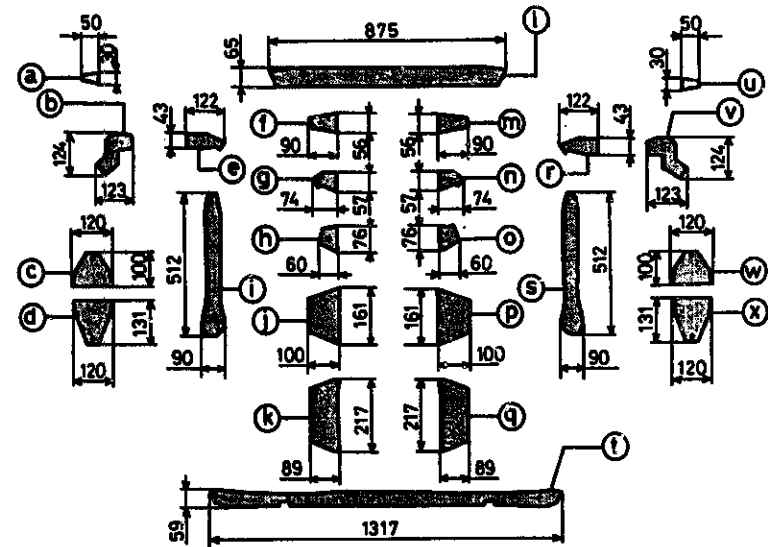


TRIM REAR CUSHION

(THIS ILLUSTRATION CONSISTS OF 4 PAGES)

(NOTES)

- A. PARTS INDICATED AS  ARE MADE OF VINYL.
- B. LEATHER PATCHES ARE AVAILABLE FROM YOUR MAZDA DISTRIBUTORS UNDER DIFFERENT PART NUMBER THAN INDICATED. PLEASE REFER TO PARTS BULLETIN FOR DETAILS.



**5750AA-3 REAR SEATS
(LEATHER)**

SEE ILLUSTRATION/S AT FRAME 2 - C11

ITEM NO.	D-CODE	DESCRIPTION	PART NO.	QTY	MODEL/DESCRIPTION	REMARKS				
57 200		CUSHION, REAR SEAT	FB41-57-200	1						
		DARK GRAY	07							
		RED	10							
57 250		BACK, REAR SEAT	FB41-57-25Y	1						
		DARK GRAY	07							
		RED	10							
57 510D		STRIKER, RR. SEAT CUSHION	FB10-57-510	2						
		57 511	TRIM NO. 1, CUSHION-REAR				FB10-57-511	1		
		DARK GRAY	07							
RED	10									
57 512		TRIM NO. 2, CUSHION REAR	FB10-57-512	1						
		DARK GRAY	07							
		RED	10							
57 513		TRIM NO. 3, CUSHION-REAR	FB10-57-513	1						
		DARK GRAY	07							
		RED	10							
57 514		TRIM NO. 4, CUSHION-REAR	FB10-57-514	1						
		DARK GRAY	07							
		RED	10							
57 515		TRIM NO. 5, CUSHION-REAR	FB10-57-515	1						
		DARK GRAY	07							
		RED	10							
57 516		TRIM NO. 6, CUSHION-REAR	FB10-57-516	1						
		DARK GRAY	07							
		RED	10							
57 517		TRIM NO. 7, CUSHION-REAR	FB10-57-517	1						
		DARK GRAY	07							
		RED	10							
57 518		TRIM NO. 8, CUSHION-REAR	FB10-57-518	1						
		DARK GRAY	07							
		RED	10							
		BLUE	48							

**5750AA-4 REAR SEATS
(LEATHER)**

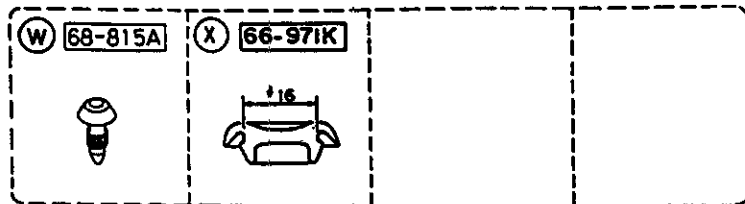
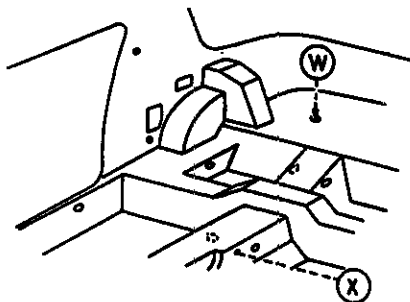
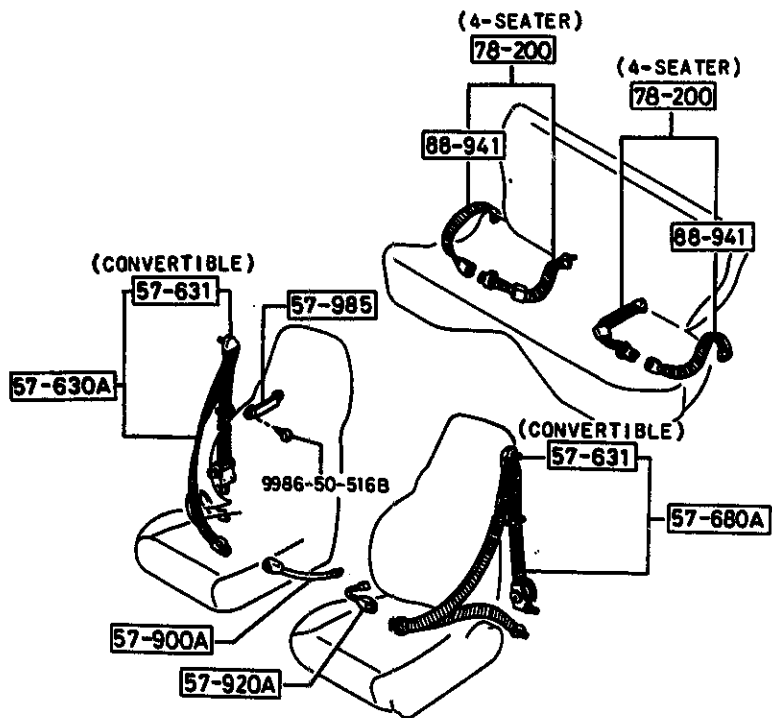
SEE ILLUSTRATION/S AT FRAME 2 - C11

ITEM NO.	D-CODE	DESCRIPTION	PART NO.	QTY	MODEL/DESCRIPTION	REMARKS
57 519		TRIM NO. 9, CUSHION-REAR	FB10-57-519	1		
		DARK GRAY	07			
		RED	10			
57 520E		TRIM NO. 10, CUSHION-REAR	FB10-57-520	1		
		DARK GRAY	07			
		RED	10			
57 521		TRIM NO. 11, CUSHION-REAR	FB10-57-521	1		
		DARK GRAY	07			
		RED	10			
57 522		TRIM NO. 12, CUSHION-REAR	FB10-57-522	1		
		DARK GRAY	07			
		RED	10			
57 523		TRIM NO. 13, CUSHION-REAR	FB10-57-523	1		
		DARK GRAY	07			
		RED	10			
57 524		TRIM NO. 14, CUSHION-REAR	FB10-57-524	1		
		DARK GRAY	07			
		RED	10			
57 525		TRIM NO. 15, CUSHION-REAR	FB10-57-525	1		
		DARK GRAY	07			
		RED	10			
57 526		TRIM NO. 16, CUSHION-REAR	FB10-57-526	2		
		DARK GRAY	07			
		RED	10			
57 550		HINGE (R), REAR BACK	FB10-57-550	1		
57 560		HINGE (L), REAR BACK	FB10-57-560	1		
57 611		TRIM NO. 1, BACK-REAR	FB10-57-611	2		
		DARK GRAY	07			
		RED	10			
57 612		TRIM NO. 2, BACK-REAR	FB10-57-612	1		
		DARK GRAY	07			
		RED	10			

**5750AA-5 REAR SEATS
(LEATHER)**

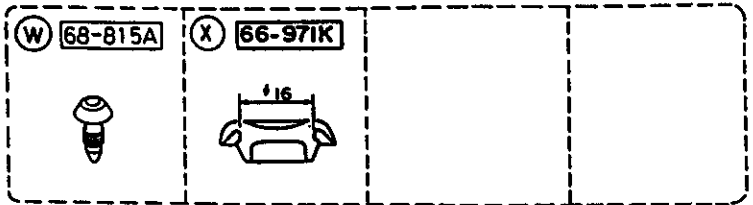
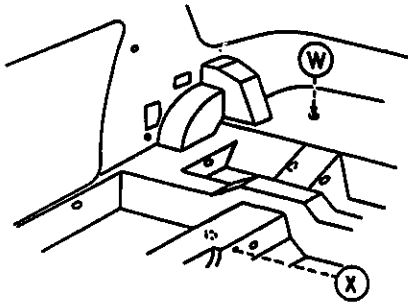
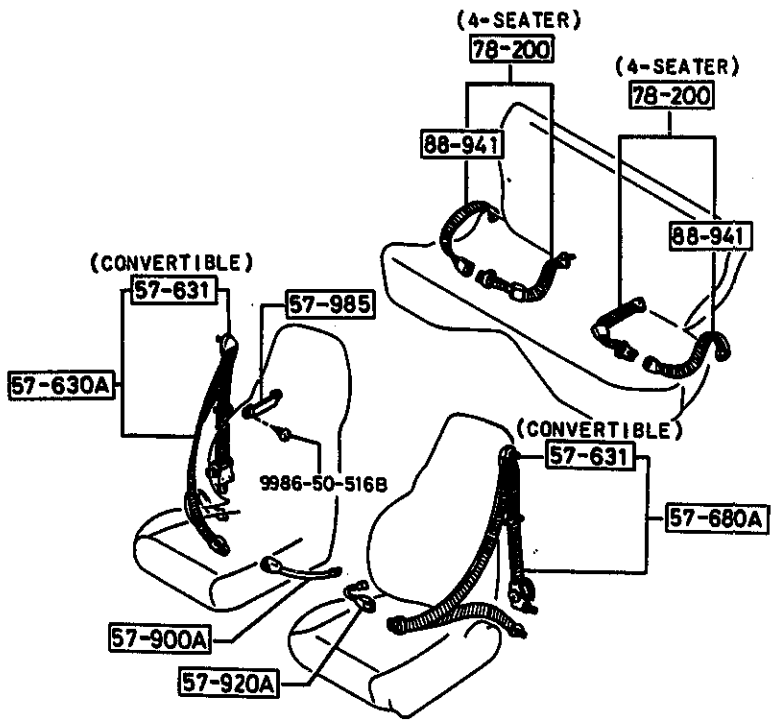
	ITEM NO.	D-CODE	DESCRIPTION	PART NO.	QTY	MODEL/DESCRIPTION	REMARKS
SEE ILLUSTRATION/S AT FRAME 2 - C11	57 612 (CONT'D)		BLUE	48			
	57 613		TRIM NO. 3, BACK-REAR DARK GRAY RED BLUE	FB10-57-613 07 10 48	1		
	57 614		TRIM NO. 4, BACK-REAR DARK GRAY RED BLUE	FB10-57-614 07 10 48	1		
	88 201		TRIM, REAR SEAT CUSHION DARK GRAY RED BLUE	FB41-88-201A 07 10 48	1		
	88 251		TRIM, REAR SEAT BACK DARK GRAY RED BLUE	FB10-88-251 07 10 48	1		
	88 269		CATCH (R), RR. SEAT BACK	FB10-88-269	1		
	88 270A		TUBE	B001-88-270	2		
	88 469		CATCH (L), RR. SEAT BACK	FB10-88-469	1		

5790A-1 SEAT BELTS



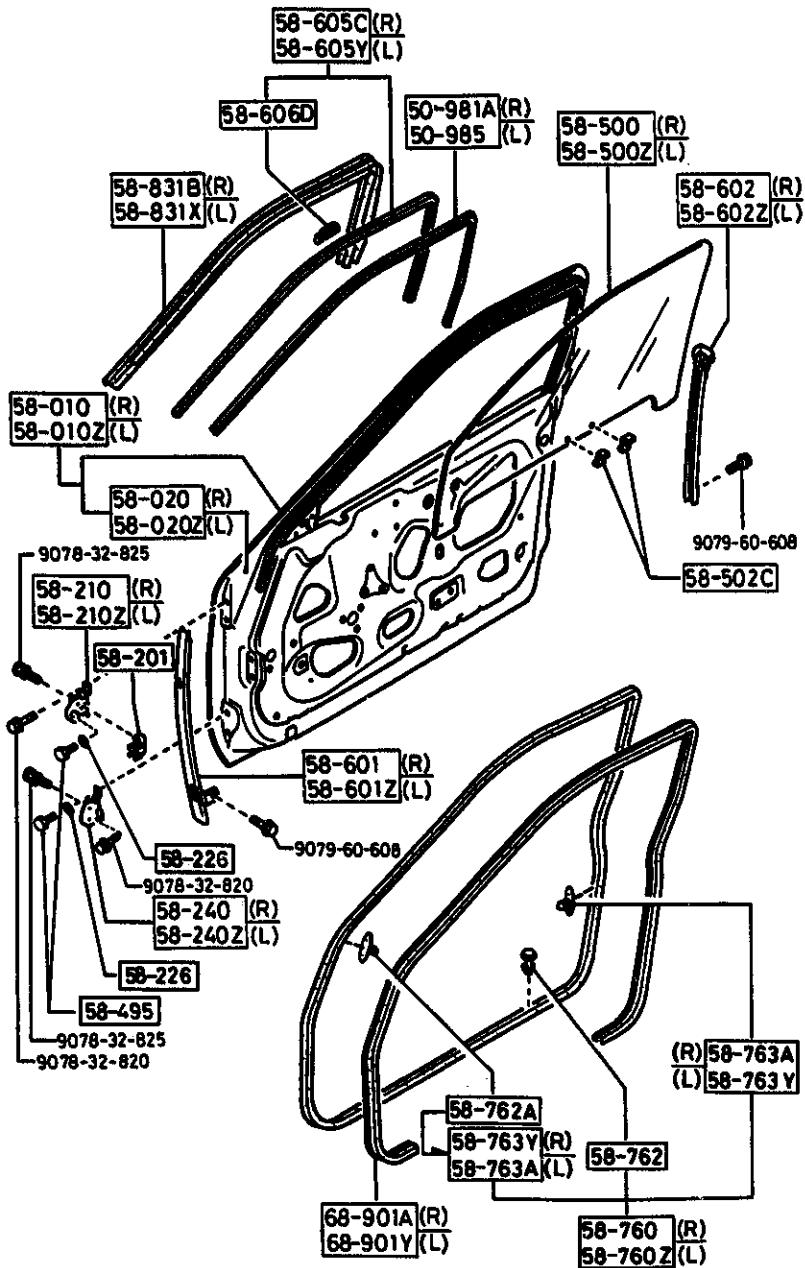
ITEM NO.	D-CODE	DESCRIPTION	PART NO.	QTY	MODEL/DESCRIPTION	REMARKS			
57 630A		BELT 'B' (R), FRONT SEAT	FB40-57-630A	1	COUPE EXTRA LENGTH				
		DARK GRAY	07						
		RED	10						
				BLUE	48		1	CONV.	
				DARK GRAY	07				
				BLUE	48				
					FB10-57-630B		1	COUPE STD TYPE	
				DARK GRAY	07				
				RED	10				
		57 631		COVER, SASH GUIDE	FB67-57-631		2	CONV.	
				DARK GRAY	07				
		57 680A		BELT 'B' (L), FRONT SEAT	FB40-57-690A		1	COUPE EXTRA LENGTH	
DARK GRAY	07								
RED	10								
				BLUE	48	1	CONV.		
				DARK GRAY	07				
				BLUE	48				
					FB67-57-690B	1	COUPE STD TYPE		
				DARK GRAY	07				
				RED	10				
57 900A				BELT 'A' (R), FRONT SEAT	FB10-57-620C	1			
				DARK GRAY	07				
				RED	10				
57 920A		BELT 'A' (L), FRONT SEAT	FB10-57-680A	1					
		DARK GRAY	07						
		RED	10						
57 985		PLATE, SEAT BELT SET	B120-57-985	2					
68 815A		TACKER	1011-68-815	2					
78 200		BELT, REAR SEAT	FB10-57-710	2	22				
		DARK GRAY	07						
		RED	10						
		BLUE	48						

5790A-2 SEAT BELTS



ITEM NO.	D-CODE	DESCRIPTION	PART NO.	QTY	MODEL/DESCRIPTION	REMARKS
88 941		BELT 'A', REAR SEAT	FB10-57-720	2	22	
		DARK GRAY	07			
		RED	10			
		BLUE	48			

**5800A-1 FRONT DOORS
(COUPE)**

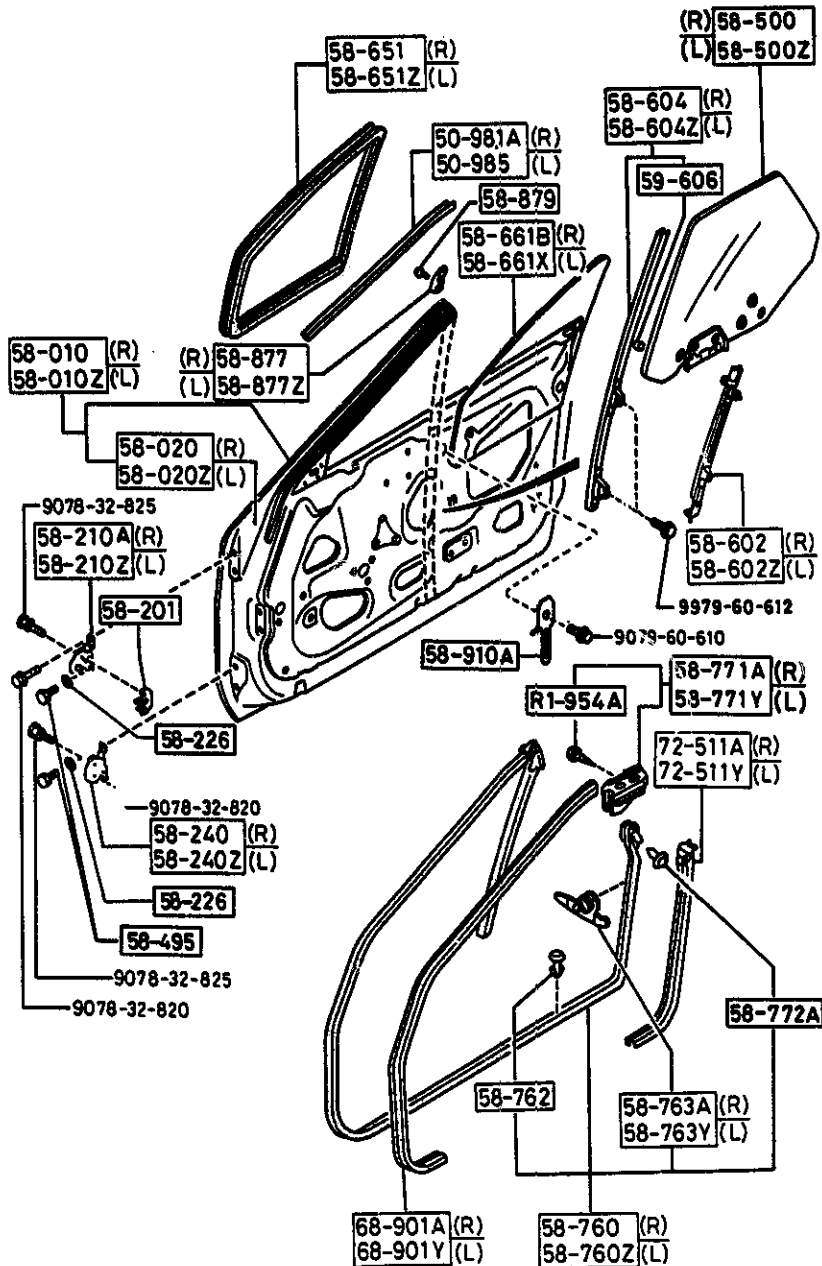


ITEM NO.	D-CODE	DESCRIPTION	PART NO.	QTY	MODEL/DESCRIPTION	REMARKS
50 981A		MOULDING (R), SASH-DOOR	FB01-50-981B	1		
50 985		MOULDING (L), SASH-DOOR	FB01-50-985B	1		
58 010		BODY (R), FRONT DOOR	FB05-58-020H	1		
58 010Z		BODY (L), FRONT DOOR	FB05-59-020H	1		
58 020		PANEL (R), OUTER-FRONT DOOR	FB01-58-031D	1		
58 020Z		PANEL (L), OUTER-FRONT DOOR	FB01-59-031D	1		
58 201		SHIM, HINGE-DOOR	8092-58-201A	2		
58 210		HINGE (R), DOOR-UPPER	FB01-58-210	1		
58 210Z		HINGE (L), DOOR-UPPER	FB01-59-210	1		
58 240		HINGE (R), DOOR-LOWER	8092-58-240	1		
58 240Z		HINGE (L), DOOR-LOWER	8092-59-240	1		
58 500		GLASS (R), DOOR-FRONT	FB01-58-511	1		
58 500Z		GLASS (L), DOOR-FRONT	FB01-59-511	1		
58 502C		GROMMET, SCREW	S084-58-502	4		
58 601		GUIDE 'A' (R), GLASS	FB01-58-603A	1		
58 601Z		GUIDE 'A' (L), GLASS	FB01-59-603A	1		
58 602		GUIDE 'B' (R), GLASS	FB01-58-604A	1		
58 602Z		GUIDE 'B' (L), GLASS	FB01-59-604A	1		
58 605C		CHANNEL (R), GLASS RUN	FB01-58-60XD	1		
58 605Y		CHANNEL (L), GLASS RUN	FB01-59-60XD	1		
58 606D		ADJUSTER, GLASS-FRONT DOOR	FB01-58-606A	2		
58 760		WEATHERSTRIP (R), DOOR	FB01-58-760C	1		
58 760Z		WEATHERSTRIP (L), DOOR	FB01-59-760C	1		
58 762		FASTENER	G031-58-762	52		
58 762A		FASTENER	8092-58-762	2		
58 763A		FASTENER (R)	FB02-58-762A	2		
58 763Y		FASTENER (L)	FB02-59-762A	2		
58 831B		WEATHERSTRIP (R), RAIN RAIL	FB01-58-831E	1		
58 831X		WEATHERSTRIP (L), RAIN RAIL	FB01-59-831E	1		
68 901A		WELT (R), SEAMING	FB01-68-911	1		
		DARK GRAY	07			
		RED	10			
		BLUE	48			
68 901Y		WELT (L), SEAMING	FB01-68-912	1		
		DARK GRAY	07			
		RED	10			
		BLUE	48			

5921 FC33* -106084

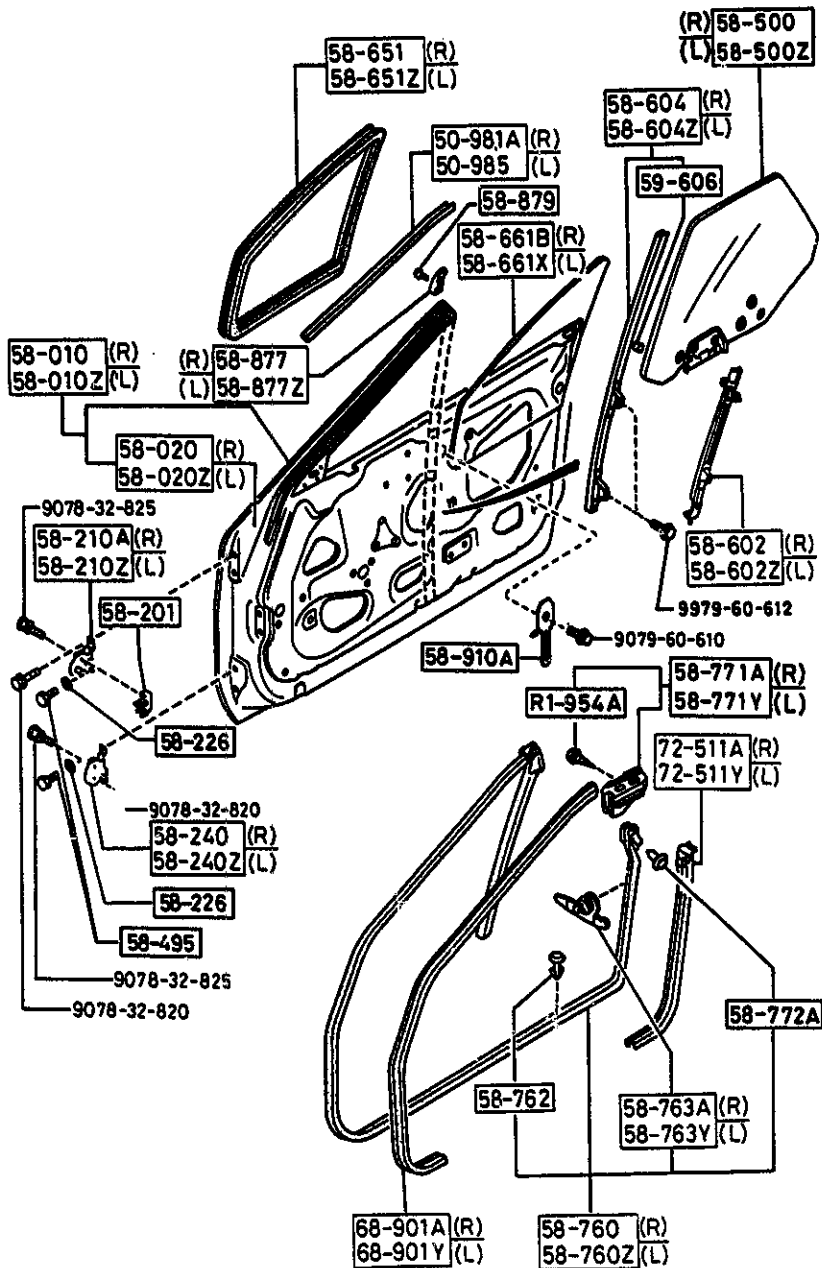
-5921
5921-
5921-

5800AA-1 FRONT DOORS (CONVERTIBLE)



ITEM NO.	D-CODE	DESCRIPTION	PART NO.	QTY	MODEL/DESCRIPTION	REMARKS
50 981A		MOULDING (R), SASH-DOOR	FB67-50-981	1		
		< C >	FB67-50-981A	1		REQUIRES PROTECTOR: FB67-58-877C
50 985		MOULDING (L), SASH-DOOR	FB67-50-985	1		
		< C >	FB67-50-985A	1		REQUIRES PROTECTOR: FB67-58-877C
58 010		BODY (R), FRONT DOOR	FB67-58-020L	1		
58 010Z		BODY (L), FRONT DOOR	FB67-59-020K	1		
58 020		PANEL (R), OUTER-FRONT DOOR	FB67-58-031C	1		
58 020Z		PANEL (L), OUTER-FRONT DOOR	FB67-59-031C	1		
58 201		SHIM, HINGE-DOOR	B092-58-201	2		
58 210		HINGE (R), DOOR-UPPER	FB01-58-210	1		
58 210Z		HINGE (L), DOOR-UPPER	FB01-59-210	1		
58 240		HINGE (R), DOOR-LOWER	B092-58-240	1		
58 240Z		HINGE (L), DOOR-LOWER	B092-59-240	1		
58 500		GLASS (R), DOOR-FRONT	FB67-58-510C	1		
58 500Z		GLASS (L), DOOR-FRONT	FB67-59-510C	1		
		BLUE	48			
58 602		GUIDE 'B' (R), GLASS	FB67-58-61XB	1		
58 602Z		GUIDE 'B' (L), GLASS	FB67-59-61XB	1		
58 604		CHANNEL (R), DIVISION-DOOR	FB67-58-6A0A	1		
58 604Z		CHANNEL (L), DIVISION-DOOR	FB67-59-6A0A	1		
58 651		WEATHERSTRIP (R)	FB67-58-651	1		
58 651Z		WEATHERSTRIP (L)	FB67-59-651	1		
58 661B		GLASS (R), QUARTER-FRONT DOOR	FB67-58-661B	1		
58 661X		GLASS (L), QUARTER-FRONT DOOR	FB67-59-661B	1		
58 760		WEATHERSTRIP (R), DOOR	FB67-58-760B	1		
58 760Z		WEATHERSTRIP (L), DOOR	FB67-59-760B	1		
58 762		FASTENER	G031-58-762	52		
58 763A		FASTENER (R)	FB02-58-762A	2		
58 763Y		FASTENER (L)	FB02-59-762A	2		
58 771		WEATHERSTRIP (R), ROOF	FB67-58-770B	1		
58 771Y		WEATHERSTRIP (L), CABIN SIDE	FB67-59-770F	1		
58 772A		FASTENER	9926-40-531B	4		
58 877		PROTECTOR (R), DOOR SASH	FB67-58-877B	1		
58 877Z		PROTECTOR (L), DOOR SASH	FB67-59-877B	1		
58 879		SCREW, PROTECTOR-SASH	FB67-58-879	4		
58 910A		STOPPER, GLASS	FB67-58-910	2		
68 901A		WELT (R), SEAMING	FB67-68-911A	1		
		GRAY	07			
		BLUE	48			

**5800AA-2 FRONT DOORS
(CONVERTIBLE)**



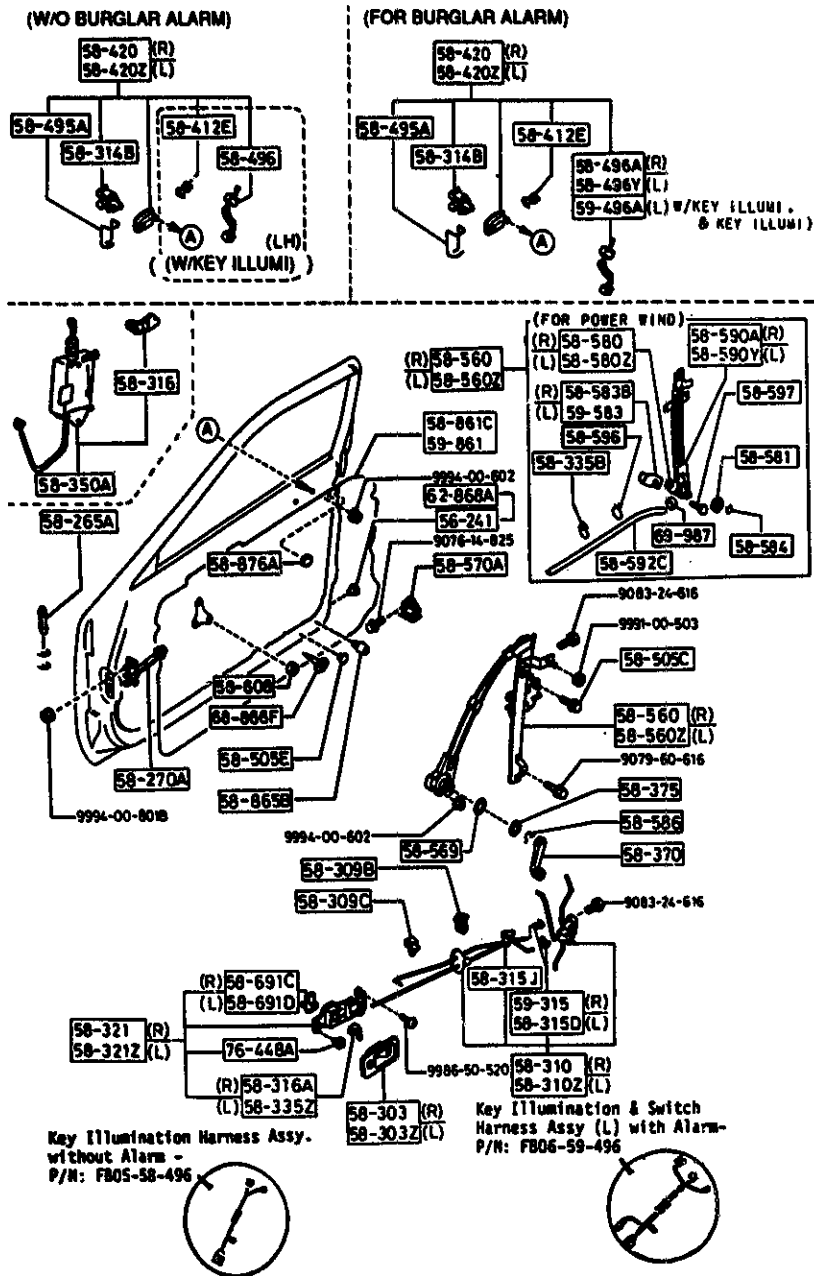
ITEM NO.	D-CODE	DESCRIPTION	PART NO.	QTY	MODEL/DESCRIPTION	REMARKS
68	901Y	WELT (L, SEAMING GRAY BLUE	FB67-68-912A 07 48	1		
72	511A	WELT (R, SEAMING GRAY BLUE	FB67-68-921 07 48	1		
72	511Y	WELT (L, SEAMING GRAY BLUE	FB67-68-922 07 48	1		

SECTION INDEX -- BODY

STARTING LOCATION	SECT. NO.	SECTION NAME	STARTING LOCATION	SECT. NO.	SECTION NAME	STARTING LOCATION	SECT. NO.	SECTION NAME
2 - C 3	0900A	KEY SETS	2 - L 6	5330	SPEEDOMETER CABLE	2 - L14	6230	LIFT GATE MECHANISMS (COUPE)
2 - E 3	5000	FRONT BUMPER	2 - M 6	5540	METER COMPONENTS (COUPE) (W/O ANTI-LOCK BRAKE SYSTEM)	2 - N14	6300A	WINDOW; GLASSES
2 - F 3	5005	RADIATOR GRILLE	2 - C 7	5540A	METER COMPONENTS (COUPE) (ANTI-LOCK BRAKE SYSTEM)	2 - C15	6330	SUNROOF (COUPE)
2 - G 3	5010A	REAR BUMPER	2 - E 7	5540B	METER COMPONENTS (CONVERTIBLE)	2 - E15	6330A	SOFT TOP (CONVERTIBLE)
2 - H 3	5030A	WINDOW MOULDINGS	2 - F 7	5560	DASHBOARD & RELATED PARTS	2 - G15	6600B	SWITCHES & RELAYS (ENGINE) (W/O TURBO)
2 - I 3	5040A	BODY MOULDINGS	2 - I 7	5570	CONSOLE	2 - J15	6600BA	SWITCHES & RELAYS (ENGINE) (TURBO)
2 - J 3	5060A	SIDE PROTECTORS	2 - K 7	5580	VENTILATOR	2 - M15	6610	DASHBOARD SWITCHES (MANUAL OPERATING)
2 - K 3	5100	HEAD LAMPS	2 - C 8	5700A	FRONT SEATS (COUPE)	2 - N15	6611	COMBINATION SWITCH
2 - L 3	5103	HEAD LAMP RETRACTORS	2 - C 9	5700AA	FRONT SEATS (COUPE) (LEATHER)	2 - C16	6612	CLUSTER SWITCH
2 - M 3	5105	FRONT COMBINATION LAMPS	2 - C10	5700AB	FRONT SEATS (CONVERTIBLE) (CLOTH)	2 - D16	6615	POWER WINDOW SWITCHES
2 - C 4	5110A	REAR COMBINATION LAMPS	2 - F10	5700AC	FRONT SEATS (CONVERTIBLE) (LEATHER)	2 - E16	6620	DOOR SWITCH
2 - E 4	5120	LICENSE LAMPS	2 - J10	5750A	REAR SEATS (CLOTH)	2 - F16	6630	RELAYS & CPU (BODY)
2 - F 4	5125	INTERIOR LAMPS	2 - C11	5750AA	REAR SEATS (LEATHER)	2 - G16	6635	HORNS
2 - G 4	5130	OVERHEAD CONSOLE (COUPE)	2 - H11	5790A	SEAT BELTS	2 - H16	6640	AUTO CRUISE CONTROL SYSTEM
2 - H 4	5170	ORNAMENTS	2 - J11	5800A	FRONT DOORS (COUPE)	2 - I16	6680	AUDIO SYSTEMS (RADIO & TAPE DECK)
2 - I 4	5180	COWL & EXTRACTOR GILLES	2 - K11	5800AA	FRONT DOORS (CONVERTIBLE)			
2 - K 4	5230	HOOD	2 - C12	5830A	FRONT DOOR MECHANISMS (COUPE)			
2 - L 4	5260	TRUNK LID (CONVERTIBLE)	2 - H12	5830AA	FRONT DOOR MECHANISMS (CONVERTIBLE)			
2 - M 4	5310	BODY PANELS (FRONT) (COUPE)	2 - C13	5840A	FRONT DOOR TRIMS & RELATED PARTS (COUPE)			
2 - N 4	5310A	BODY PANELS (FRONT) (CONVERTIBLE)	2 - K13	5840AB	FRONT DOOR TRIMS & RELATED PARTS (CONVERTIBLE)			
2 - C 5	5320	BODY PANELS (FENDER & WHEEL APRON) (COUPE)	2 - N13	6100	HEATER			
2 - D 5	5320B	BODY PANELS (FENDER & WHEEL APRON) (CONVERTIBLE)	2 - C14	6110	HEATER UNIT COMPONENTS			
2 - E 5	5330	BODY PANELS (DASH & COWL PANEL)	2 - D14	6115	HEATER CONTROLS COMPONENTS			
2 - F 5	5340A	BODY PANELS (SIDE) (COUPE)	2 - E14	6120	HEATER BLOWER COMPONENTS			
2 - H 5	5340AA	BODY PANELS (SIDE) (CONVERTIBLE)	2 - F14	6130	AIR CONDITIONER (W/O AIR CONDITIONER)			
2 - K 5	5360A	BODY PANELS (ROOF) (COUPE)	2 - G14	6132A	CONDENSER PACKAGE			
2 - L 5	5370	BODY PANELS (FLOOR) (COUPE)	2 - I14	6142A	COMPRESSOR MOUNTING KIT, COMPRESSOR/CLUTCH ASSEMBLY & REPAIR PARTS			
2 - M 5	5370A	BODY PANELS (FLOOR) (CONVERTIBLE)	2 - J14	6152A	EVAPORATOR PACKAGE			
2 - C 6	5390	FLOOR ATTACHMENTS (COUPE)	2 - K14	6200	LIFT GATE			
2 - E 6	5390A	FLOOR ATTACHMENTS (CONVERTIBLE)						
2 - G 6	5500	DASHBOARD EQUIPMENTS (COUPE) (W/O ANTI-LOCK BRAKE SYSTEM)						
2 - I 6	5500A	DASHBOARD EQUIPMENTS (COUPE) (ANTI-LOCK BRAKE SYSTEM)						
2 - J 6	5500B	DASHBOARD EQUIPMENTS (CONVERTIBLE)						
2 - K 6	5520	METER HOOD						

2 - B12

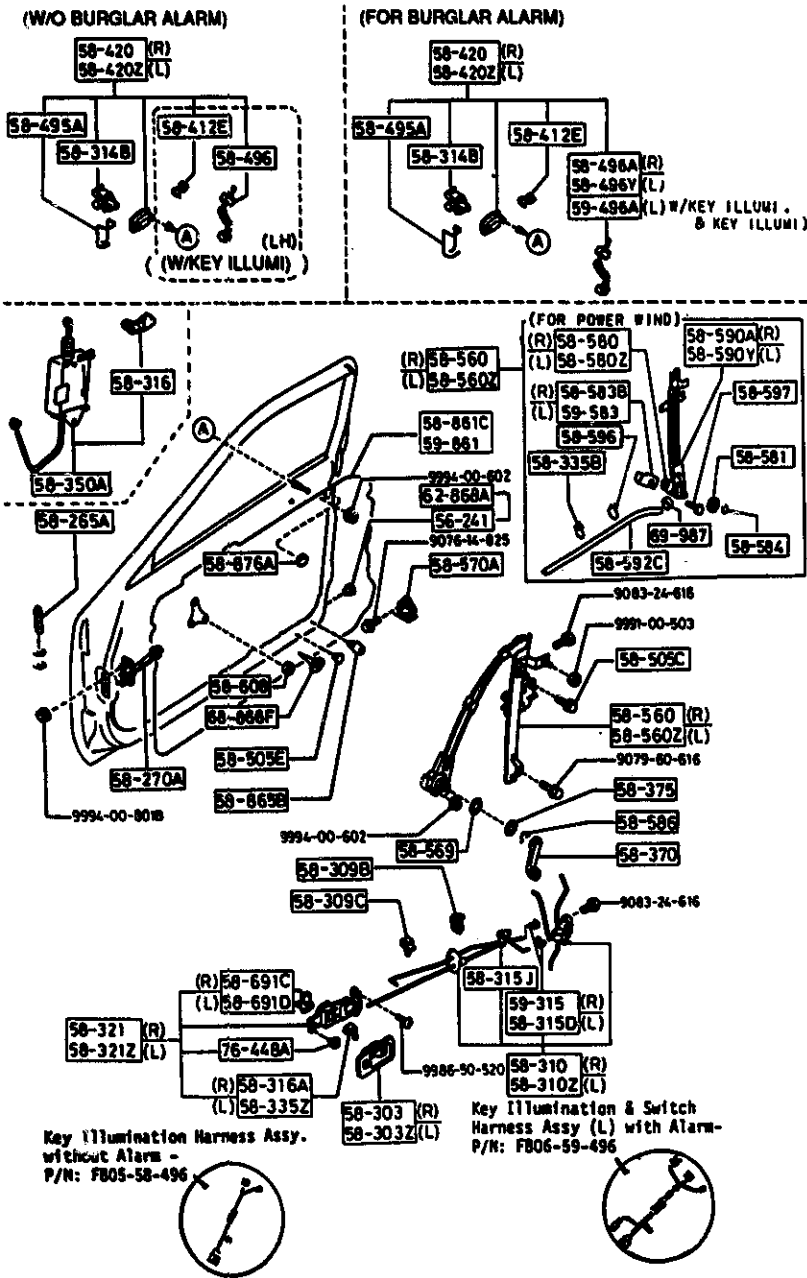
5830A-1 FRONT DOOR MECHANISMS (COUPE)



ITEM NO.	D-CODE	DESCRIPTION	PART NO.	QTY	MODEL/DESCRIPTION	REMARKS
56 241		PLUG, DRAIN	0118-56-241	2		
58 265A		PIN, CHECKER	H260-58-265C			
58 270A		CHECKER, DOOR	FB01-58-270B	2		
58 303		COVER (R), INNER HANDLE	FB01-58-303B	1		
		DARK GRAY	07			
		RED	10			
		BLUE	48			
58 303Z		COVER (L), INNER HANDLE	FB01-59-303B	1		
		DARK GRAY	07			
		RED	10			
		BLUE	48			
58 309B		HOLDER (UP.), ROD-INNER HANDLE	FB02-58-309	2		
58 309C		HOLDER (LWR.), ROD-INNER HANDLE	FB01-58-309A	2		
58 310		LOCK (R), DOOR	FB05-58-310A	1		
58 310Z		LOCK (L), DOOR	FB05-59-310A	1		
58 314B		JOINT	H043-72-411	2		
58 315D		CLIP (R)	G030-58-315	4	W/O COMPACT DISC	
				5	W/ COMPACT DISC	
58 315J		CLIP	H001-58-315	2		
58 316		CLIP	B093-58-351	1		7701-
58 316A		CLIP	B001-59-335	1		
58 321		HANDLE (R), INNER	FB01-58-330B	1	W/O BURGLAR ALARM	
		DARK GRAY	07			
		RED	10			
		BLUE	48			
			FB02-58-330A	1	W/ BURGLAR ALARM	
		DARK GRAY	07			
		RED	10			
		BLUE	48			
58 321Z		HANDLE (L), INNER	FB01-59-330B	1	W/O BURGLAR ALARM	
		DARK GRAY	07			
		RED	10			
		BLUE	48			
			FB02-59-330A	1	W/ BURGLAR ALARM	
		DARK GRAY	07			
		RED	10			
		BLUE	48			
58 335Z		CLIP (L), INNER HANDLE	FB01-58-335	1		
58 350A		ACTUATOR (R), POWER LOCK	FB06-58-350A	1		

7701 FC33* -550169

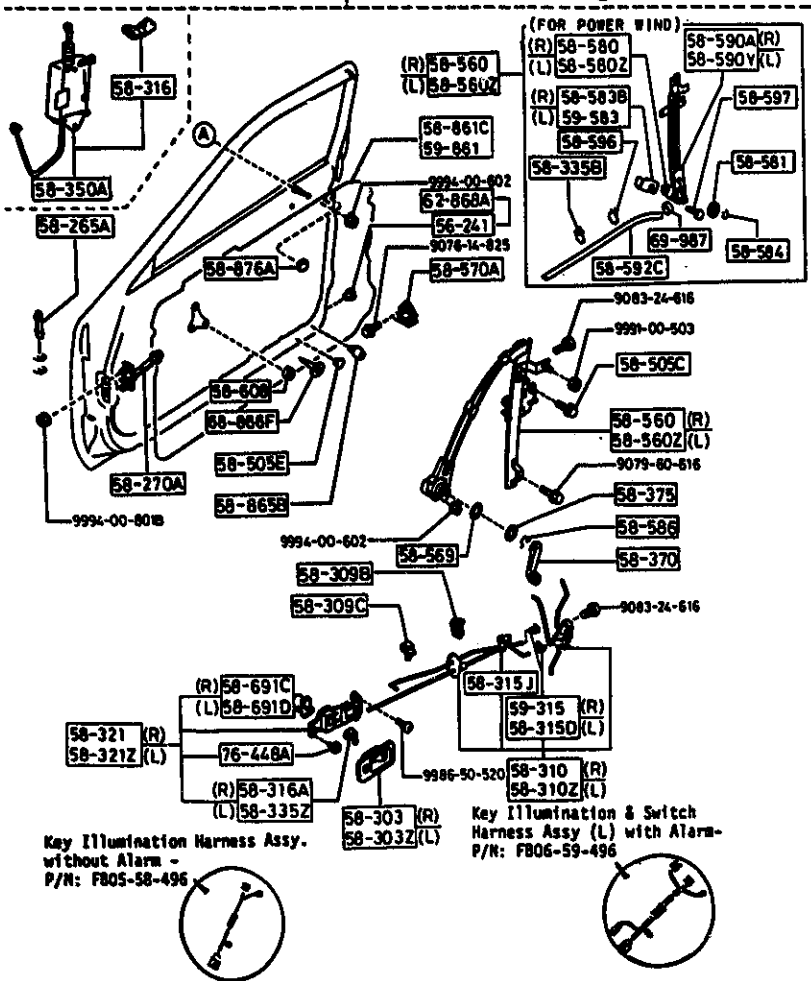
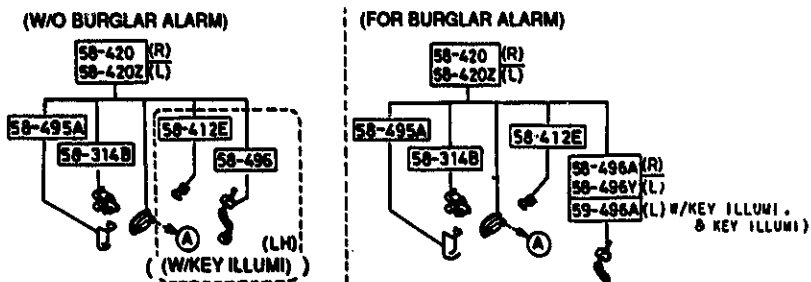
5830A-2 FRONT DOOR MECHANISMS (COUPE)



ITEM NO.	D-CODE	DESCRIPTION	PART NO.	QTY	MODEL/DESCRIPTION	REMARKS
58 370		HANDLE, REGULATOR	B092-58-580	2	W/O POWER WINDOW W/O ALUM. CAP	
		DARK GRAY	07			
		DARK GRAY	09			
		RED	10			
		BLUE	48			
58 375		ESCUTCHEON	B001-58-582A	2	W/O POWER WINDOW	
		DARK GRAY	07			
		RED	10			
		BLUE	48			
58 412E		CLIP, HARNESS-OUTER HANDLE	FB01-58-412	2		6623-
58 420		HANDLE (R), OUTER	FB01-58-410B	1	W/O BURGLAR ALARM	
		ARCTIC SILVER METALLIC	J5			
		TORNADO SILVER METALLIC	KB			
		PURE RED	NP			
		BRILLIANT BLACK	PZ			
		SUNRISE RED	RH			
		DOVER WHITE	WU			
		NOBLE WHITE	WY			
		SATIN GOLD METALLIC	1A			
		CLARET METALLIC	2H			
		ROYAL MALLON	3A			
		SAPPHIRE BLUE METALLIC	5A			
			FB02-58-410B	1	W/ BURGLAR ALARM	
		ARCTIC SILVER METALLIC	J5			
		TORNADO SILVER METALLIC	KB			
		PURE RED	NP			
		BRILLIANT BLACK	PZ			
		SUNRISE RED	RH			
		DOVER WHITE	WU			
		NOBLE WHITE	WY			
		SATIN GOLD METALLIC	1A			
		CLARET METALLIC	2H			
		ROYAL MALLON	3A			
		SAPPHIRE BLUE METALLIC	5A			
58 420Z		HANDLE (L), OUTER	FB01-59-410B	1	W/O BURGLAR ALARM W/O KEY ILLUM.	
		ARCTIC SILVER METALLIC	J5			
		TORNADO SILVER METALLIC	KB			
		PURE RED	NP			
		BRILLIANT BLACK	PZ			
		SUNRISE RED	RH			

6623 FC33* -157179

5830A-3 FRONT DOOR MECHANISMS (COUPE)

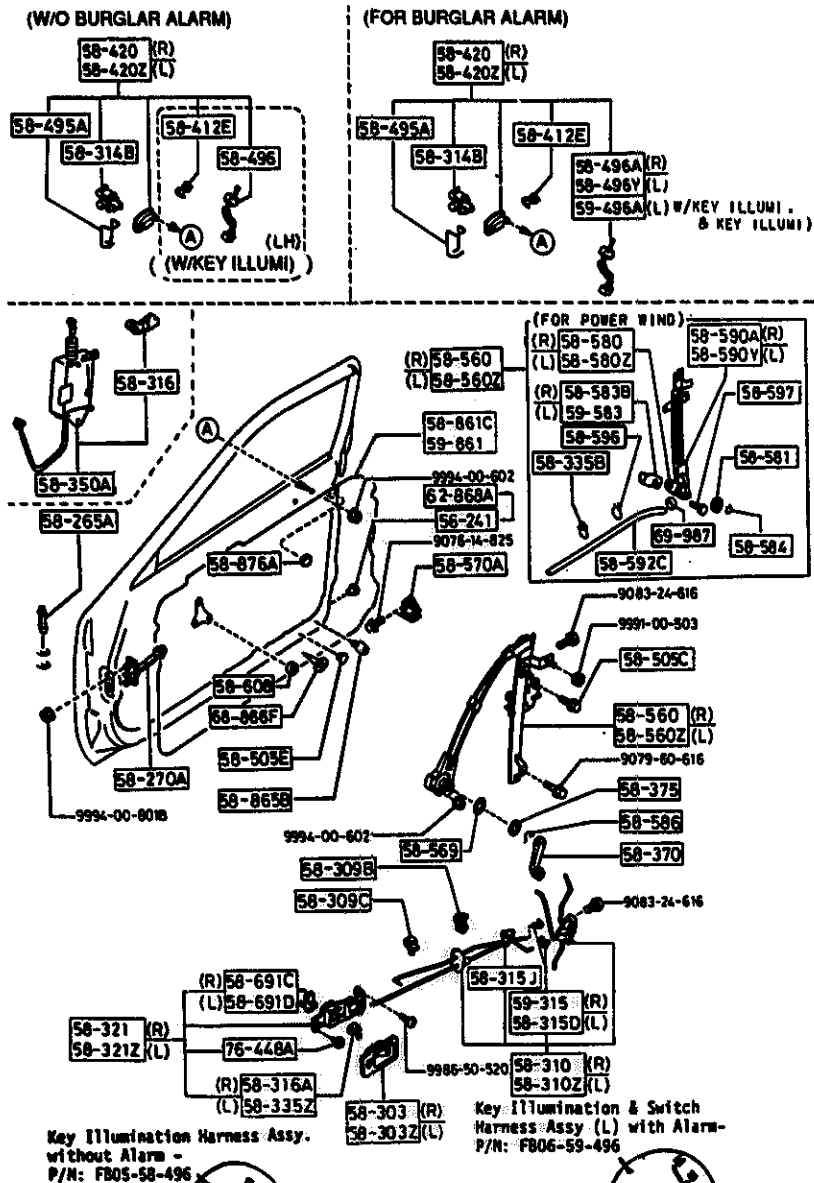


Key Illumination Harness Assy.
without Alarm -
P/N: FB05-58-496

Key Illumination & Switch
Harness Assy (L) with Alarm-
P/N: FB06-59-496

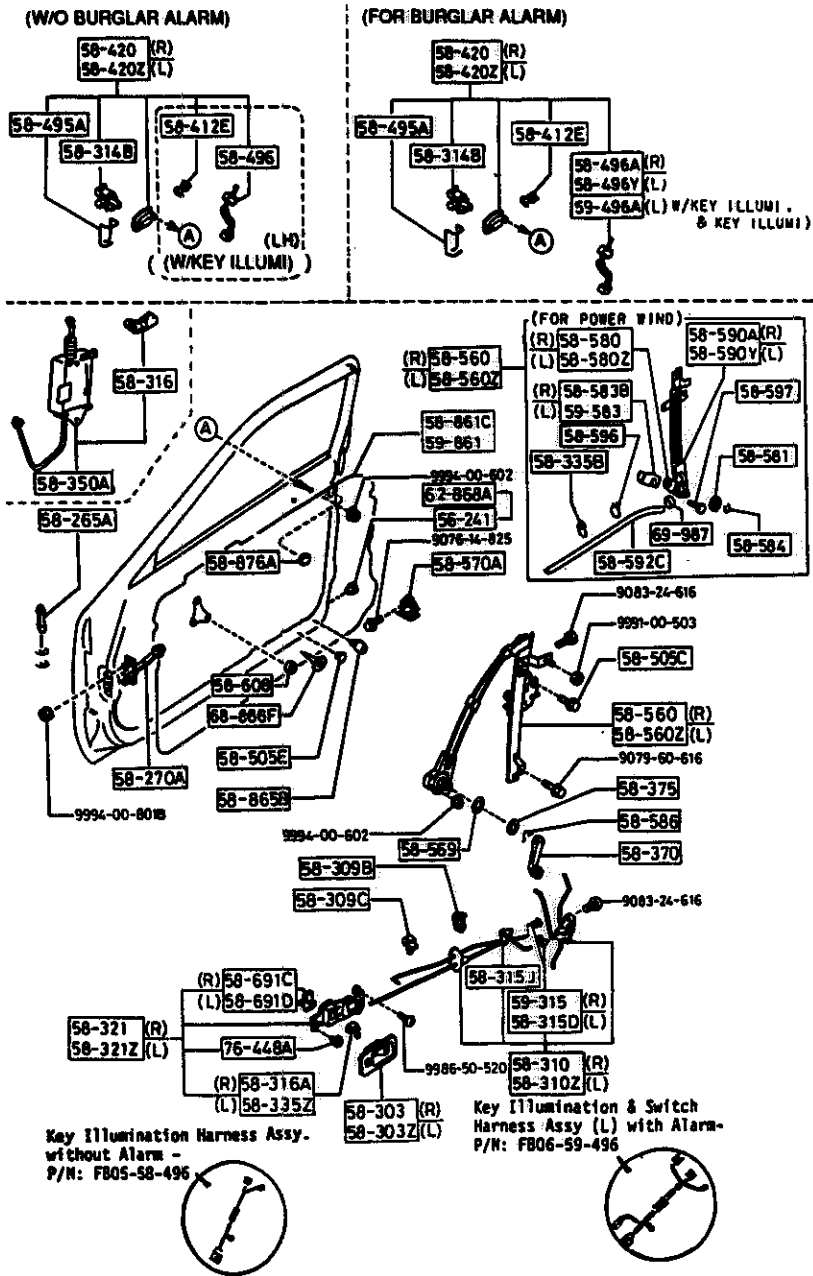
ITEM NO.	D-CODE	DESCRIPTION	PART NO.	QTY	MODEL/DESCRIPTION	REMARKS
58 420Z (CONT'D)		DOVER WHITE	WU	1	W/ BURGLAR ALARM W/O KEY ILLUM.	
		NOBLE WHITE	WY			
		SATIN GOLD METALLIC	1A			
		CLARET METALLIC	2H			
		ROYAL MALLON	3A			
		SAPPHIRE BLUE METALLIC	5A			
		ARCTIC SILVER METALLIC	J5			
		TORNADO SILVER METALLIC	K8			
		PURE RED	NP			
		BRILLIANT BLACK	PZ			
58-590A (R) 58-590Y (L)		DOVER WHITE	WU	1	W/O BURGLAR ALARM W/ KEY ILLUM.	
		NOBLE WHITE	WY			
		SATIN GOLD METALLIC	1A			
		CLARET METALLIC	2H			
		ROYAL MALLON	3A			
		SAPPHIRE BLUE METALLIC	5A			
		ARCTIC SILVER METALLIC	J5			
		TORNADO SILVER METALLIC	K8			
		PURE RED	NP			
		BRILLIANT BLACK	PZ			
58-560 (R) 58-560Z (L)		DOVER WHITE	WU	1	W/ BURGLAR ALARM W/ KEY ILLUM.	
		NOBLE WHITE	WY			
		SATIN GOLD METALLIC	1A			
		CLARET METALLIC	2H			
		ROYAL MALLON	3A			
		SAPPHIRE BLUE METALLIC	5A			
		ARCTIC SILVER METALLIC	J5			
		TORNADO SILVER METALLIC	K8			
		PURE RED	NP			
		BRILLIANT BLACK	PZ			
58-310 (R) 58-310Z (L)		DOVER WHITE	WU	1	W/ BURGLAR ALARM W/ KEY ILLUM.	
		NOBLE WHITE	WY			
		SATIN GOLD METALLIC	1A			
		ROYAL MALLON	3A			
		SAPPHIRE BLUE METALLIC	5A			
		ARCTIC SILVER METALLIC	J5			
		TORNADO SILVER METALLIC	K8			
		PURE RED	NP			
		BRILLIANT BLACK	PZ			
		SUNRISE RED	RH			

5830A-4 FRONT DOOR MECHANISMS (COUPE)



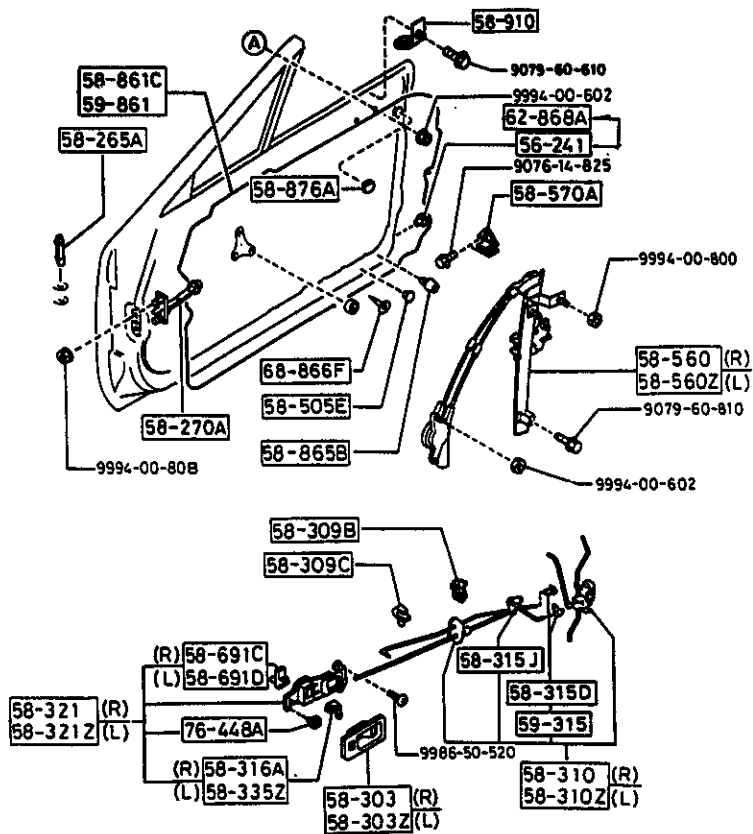
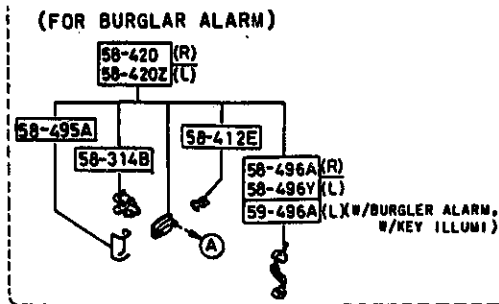
ITEM NO.	D-CODE	DESCRIPTION	PART NO.	QTY	MODEL/DESCRIPTION	REMARKS
58 420Z (CONTD)		SAPPHIRE BLUE METALLIC	5A			
58 495A		RETAINER, LOCK CYLINDER	FB01-58-495	2		
58 496		HARNES, KEY ILLUMINATION	FB05-58-496	1	W/O BURGLAR ALARM W/ KEY ILLUM.	
58 496A		SWITCH (R), LOCK-CYLINDER	FB03-58-496	1	W/ BURGLAR ALARM	
58 496Y		SWITCH (L), LOCK-CYLINDER	FB03-59-496	1	W/ BURGLAR ALARM	
58 505C		SCREW, WINDOW REGULATOR	B092-58-505	4		
58 505E		CAP	B092-58-355	2		
58 560		REGULATOR (R), WINDOW	FB01-58-560E	1	W/O POWER WINDOW	
			FB05-58-560J	1	W/ POWER WINDOW	
58 560Z		REGULATOR (L), WINDOW	FB01-59-560E	1	W/O POWER WINDOW	
			FB05-59-560J	1	W/ POWER WINDOW	
58 570A		STRIKER	B001-58-361	2		
58 580		MOTOR (R), WINDOW	FB05-58-58X	1	W/ POWER WINDOW	
58 580Z		MOTOR (L), WINDOW	FB05-59-58X	1	W/ POWER WINDOW	
58 581		SPROCKET, REGULATOR GUIDE	FB05-58-581	2	W/ POWER WINDOW	
58 583B		HOLDER (R), MOTOR-REGULATOR	FB05-58-583A	1	W/ POWER WINDOW	
58 584		RING "C", SPROCKET-REGULATOR	B094-58-584	2	W/ POWER WINDOW	
58 586		RING, SNAP	B001-58-585	2	W/O POWER WINDOW	
58 590A		GUIDE (R), REGULATOR-POWER WINDOW	FB05-58-590B	1	W/ POWER WINDOW	
58 590Y		GUIDE (L), REGULATOR-POWER WINDOW	FB05-59-590B	1	W/ POWER WINDOW	
58 592C		TUBE, REGULATOR GUIDE	FB05-58-592	2	W/ POWER WINDOW	
58 596		CLIP, TUBE-REGULATOR GUIDE	FB05-58-596	4	W/ POWER WINDOW	
58 597		BOLT, COVER-REGULATOR GUIDE	FB05-58-597	6	W/ POWER WINDOW	
58 608		PAD	B092-58-863A	2	W/O POWER WINDOW	
58 691C		KNOB (R), DOOR LOCK	FB01-58-316B	1	W/O BURGLAR ALARM	
		DARK GRAY	07			
		RED	10			
		BLUE	48			
			FB02-58-316A	1	W/ BURGLAR ALARM	
		DARK GRAY	07			
		RED	10			
		BLUE	48			
58 691D		KNOB (L), DOOR LOCK	FB01-59-316B	1	W/O BURGLAR ALARM	
		DARK GRAY	07			
		RED	10			
		BLUE	48			
			FB02-59-316A	1	W/ BURGLAR ALARM	
		DARK GRAY	07			
		RED	10			

5830A-5 FRONT DOOR MECHANISMS (COUPE)



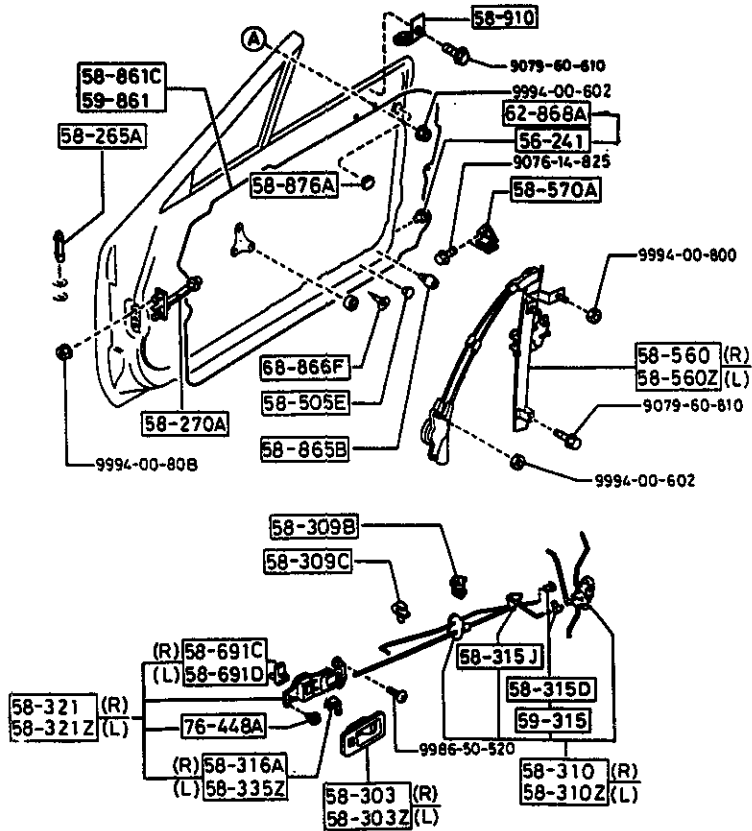
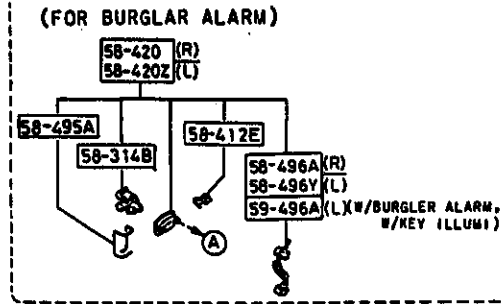
ITEM NO.	D-CODE	DESCRIPTION	PART NO.	QTY	MODEL/DESCRIPTION	REMARKS
58 691D	(CONT'D)	BLUE	48			
58 763		CLIP	8094-58-595	4	W/ POWER WINDOW	
58 8656		CUSHION, RUBBER	G067-58-873	2		
58 876A		COVER, DOOR BODY	FB01-58-876	2		
59 315		CLIP	G030-59-315	4	W/O COMPACT DISC	
				5	W/ COMPACT DISC	
59 496A		HARNES (L), ILLUM. & SWITCH	FB06-59-496	1	W/ BURGLAR ALARM W/ KEY ILLUM.	
59 583		HOLDER (L), MOTOR-REGULATOR	FB05-59-583A	1	W/ POWER WINDOW	
68 866F		FASTENER, SEAL	G031-68-866B	2	W/O BURGLAR ALARM	
69 987		BAND	8094-58-593	2	W/ POWER WINDOW	
76 448A		CLIP	G030-76-448	2		

5830AA-1 FRONT DOOR MECHANISMS (CONVERTIBLE)



ITEM NO.	D-CODE	DESCRIPTION	PART NO.	QTY	MODEL/DESCRIPTION	REMARKS
56 241		PLUG, DRAIN	0118-56-241	2		
58 265A		PIN, CHECKER	H260-58-265C	2		
58 270A		CHECKER, DOOR	FB01-58-270B	2		
58 303		COVER (R), IN. HANDLE	FB01-58-303B	1		
		DARK GRAY	07			
		RED	10			
		BLUE	48			
58 303Z		COVER (L), INNER HANDLE	FB01-59-303B	1		
		DARK GRAY	07			
		RED	10			
		BLUE	48			
58 309B		HOLDER (UP.), ROD-INNER HANDLE	FB02-58-309	2		
58 309C		HOLDER (LWR.), ROD-INNER HANDLE	FB01-58-309A	2		
58 310		LOCK (R), DOOR	FB05-58-310A	1		
58 310Z		LOCK (L), DOOR	FB05-59-310A	1		
58 314B		JOINT	H043-72-411	2		
58 315D		CLIP (R)	G030-58-315	4		
58 315J		CLIP	H001-58-315	2		
58 316A		CLIP	B001-59-335	1		
58 321		HANDLE (R), INNER	FB02-58-330A	1	W/ BURGLAR ALARM	
		DARK GRAY	07			
		RED	10			
		BLUE	48			
58 321Z		HANDLE (L), INNER	FB02-59-330A	1	W/ BURGLAR ALARM	
		DARK GRAY	07			
		RED	10			
		BLUE	48			
58 335Z		CLIP (L), INNER HANDLE	FB01-58-335	1		
58 412E		CLIP, HARNESS-OUTER HANDLE	FB01-58-412	2		
58 420		HANDLE (R), OUTER	FB02-58-410B	1	W/ BURGLAR ALARM	
		ARCTIC SILVER METALLIC	J5			
		TORNADO SILVER METALLIC	KB			
		BRILLIANT BLACK	PZ			
		SUNRISE RED	RH			
		NOBLE WHITE	WY			
		SATIN GOLD METALLIC	1A			
		CLARET METALLIC	2H			
		SAPPHIRE BLUE METALLIC	5A			
58 420Z		HANDLE (L), OUTER	FB06-59-410C	1	W/ BURGLAR ALARM	
		ARCTIC SILVER METALLIC	J5			

**5830AA-2 FRONT DOOR MECHANISMS
(CONVERTIBLE)**



ITEM NO.	D-CODE	DESCRIPTION	PART NO.	QTY	MODEL/DESCRIPTION	REMARKS
58 420Z (CONT'D)		TORNADO SILVER METALLIC	K8			
		BRILLIANT BLACK	PZ			
		SUNRISE RED	RH			
		NOBLE WHITE	WY			
		SATIN GOLD METALLIC	1A			
		CLARET METALLIC	2H			
		SAPPHIRE BLUE METALLIC	5A			
58 495A		RETAINER, LOCK CYLINDER	FB01-58-495	2		
58 496		HARNES, KEY ILLUMINATION	FB05-58-496	1		
58 496A		SWITCH (R), LOCK-CYLINDER	FB03-58-496	1	W/ BURGLAR ALARM	
58 496Y		SWITCH (L), LOCK-CYLINDER	FB03-59-496	1	W/ BURGLAR ALARM	
58 505E		CAP	B092-58-355	2		
58 560		REGULATOR (R), WINDOW	FB67-58-560B	1		
58 560Z		REGULATOR (L), WINDOW	FB67-59-560B	1		
58 570A		STRIKER	B001-58-361A	2		
58 691C		KNOB (R), DOOR LOCK	FB02-58-316A	1	W/ BURGLAR ALARM	
		DARK GRAY	07			
		RED	10			
		BLUE	48			
58 691D		KNOB (L), DOOR LOCK	FB02-59-316A	1	W/ BURGLAR ALARM	
		DARK GRAY	07			
		RED	10			
		BLUE	48			
58 865B		CUSHION, RUBBER	G067-58-873	2		
58 876A		COVER, DOOR BODY	FB01-58-876	2		
58 910		STOPPER, GLASS	H272-58-911	2		
59 315		CLIP	G030-59-315	4		
59 496A		HARNES (L), ILLUM. & SWITCH	FB06-59-496	1	W/ BURGLAR ALARM	
68 866F		FASTENER, SEAL	G031-68-866B	1		
76 448A		CLIP	G030-76-448	2		

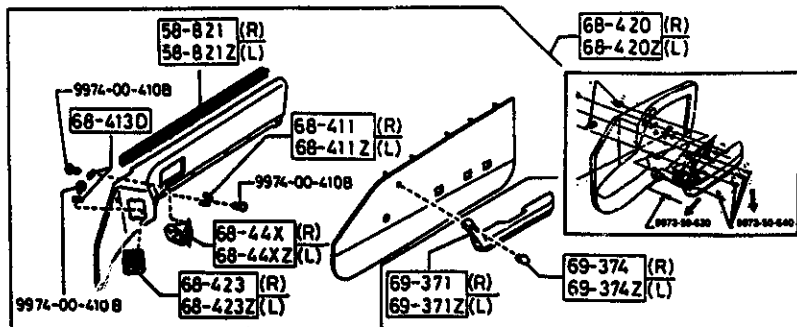
SECTION INDEX -- BODY

STARTING LOCATION	SECT. NO.	SECTION NAME	STARTING LOCATION	SECT. NO.	SECTION NAME	STARTING LOCATION	SECT. NO.	SECTION NAME
2 - C 3	0900A	KEY SETS	2 - L 6	5530	SPEEDGMETER CABLE	2 - L14	6230	LIFT GATE MECHANISMS (COUPE)
2 - E 3	5000	FRONT BUMPER	2 - M 6	5540	METER COMPONENTS (COUPE) (W/O ANTI-LOCK BRAKE SYSTEM)	2 - N14	6300A	WINDOW GLASSES
2 - F 3	5005	RADIATOR GRILLE	2 - C 7	5540A	METER COMPONENTS (COUPE) (ANTI-LOCK BRAKE SYSTEM)	2 - C15	6330	SUNROOF (COUPE)
2 - G 3	5010A	REAR BUMPER	2 - E 7	5540B	METER COMPONENTS (CONVERTIBLE)	2 - E15	6330A	SOFT TOP (CONVERTIBLE)
2 - H 3	5030A	WINDOW MOULDINGS	2 - F 7	5560	DASHBOARD & RELATED PARTS	2 - G15	6600B	SWITCHES & RELAYS (ENGINE) (W/O TURBO)
2 - I 3	5040A	BODY MOULDINGS	2 - I 7	5570	CONSOLE	2 - J15	6600BA	SWITCHES & RELAYS (ENGINE) (TURBO)
2 - J 3	5060A	SIDE PROTECTORS	2 - K 7	5580	VENTILATOR	2 - M15	6610	DASHBOARD SWITCHES (MANUAL OPERATING)
2 - K 3	5100	HEAD LAMPS	2 - C 8	5700A	FRONT SEATS (COUPE)	2 - N15	6611	COMBINATION SWITCH
2 - L 3	5103	HEAD LAMP RETRACTORS	2 - C 9	5700AA	FRONT SEATS (COUPE) (LEATHER)	2 - C16	6612	CLUSTER SWITCH
2 - M 3	5105	FRONT COMBINATION LAMPS	2 - C10	5700AB	FRONT SEATS (CONVERTIBLE) (CLOTH)	2 - D16	6615	POWER WINDOW SWITCHES
2 - C 4	5110A	REAR COMBINATION LAMPS	2 - F10	5700AC	FRONT SEATS (CONVERTIBLE) (LEATHER)	2 - E16	6620	DOOR SWITCH
2 - E 4	5120	LICENSE LAMPS	2 - J10	5750A	REAR SEATS (CLOTH)	2 - F16	6630	RELAYS & CPU (BODY)
2 - F 4	5125	INTERIOR LAMPS	2 - C11	5750AA	REAR SEATS (LEATHER)	2 - G16	6635	HORNS
2 - G 4	5130	OVERHEAD CONSOLE (COUPE)	2 - H11	5790A	SEAT BELTS	2 - H16	6640	AUTO CRUISE CONTROL SYSTEM
2 - H 4	5170	ORNAMENTS	2 - J11	5800A	FRONT DOORS (COUPE)	2 - I16	6680	AUDIO SYSTEMS (RADIO & TAPE DECK)
2 - I 4	5180	COWL & EXTRACTOR GRILLES	2 - K11	5800AA	FRONT DOORS (CONVERTIBLE)			
2 - K 4	5230	HOOD	2 - C12	5830A	FRONT DOOR MECHANISMS (COUPE)			
2 - L 4	5260	TRUNK LID (CONVERTIBLE)	2 - H12	5830AA	FRONT DOOR MECHANISMS (CONVERTIBLE)			
2 - M 4	5310	BODY PANELS (FRONT) (COUPE)	2 - C13	5840A	FRONT DOOR TRIMS & RELATED PARTS (COUPE)			
2 - N 4	5310A	BODY PANELS (FRONT) (CONVERTIBLE)	2 - K13	5840AB	FRONT DOOR TRIMS & RELATED PARTS (CONVERTIBLE)			
2 - C 5	5320	BODY PANELS (FENDER & WHEEL APRON) (COUPE)	2 - N13	6100	HEATER			
2 - D 5	5320B	BODY PANELS (FENDER & WHEEL APRON) (CONVERTIBLE)	2 - C14	6110	HEATER UNIT COMPONENTS			
2 - E 5	5330	BODY PANELS (DASH & COWL PANEL)	2 - D14	6115	HEATER CONTROLS COMPONENTS			
2 - F 5	5340A	BODY PANELS (SIDE) (COUPE)	2 - E14	6120	HEATER BLOWER COMPONENTS			
2 - H 5	5340AA	BODY PANELS (SIDE) (CONVERTIBLE)	2 - F14	6130	AIR CONDITIONER (W/O AIR CONDITIONER)			
2 - K 5	5360A	BODY PANELS (ROOF) (COUPE)	2 - G14	6132A	CONDENSER PACKAGE			
2 - L 5	5370	BODY PANELS (FLOOR) (COUPE)	2 - H14	6142A	COMPRESSOR MOUNTING KIT, COMPRESSOR/CLUTCH ASSEMBLY & REPAIR PARTS			
2 - M 5	5370A	BODY PANELS (FLOOR) (CONVERTIBLE)	2 - J14	6152A	EVAPORATOR PACKAGE			
2 - C 6	5390	FLOOR ATTACHMENTS (COUPE)	2 - K14	6200	LIFT GATE			
2 - E 6	5390A	FLOOR ATTACHMENTS (CONVERTIBLE)						
2 - G 6	5500	DASHBOARD EQUIPMENTS (COUPE) (W/O ANTI-LOCK BRAKE SYSTEM)						
2 - I 6	5500A	DASHBOARD EQUIPMENTS (COUPE) (ANTI-LOCK BRAKE SYSTEM)						
2 - J 6	5500B	DASHBOARD EQUIPMENTS (CONVERTIBLE)						
2 - K 6	5520	METER HOOD						

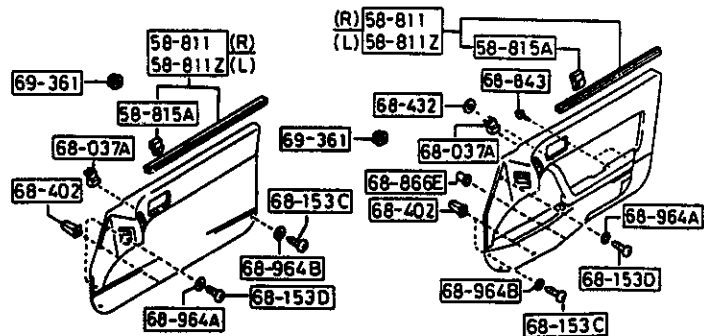
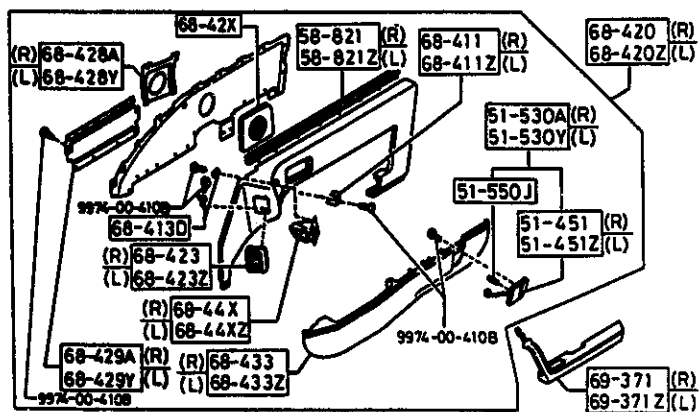
2 - B13

5840A-1 FRONT DOOR TRIMS & RELATED PARTS (COUPE)

(W/O C.D.SPEAKER)



(W/C.D.SPEAKER)

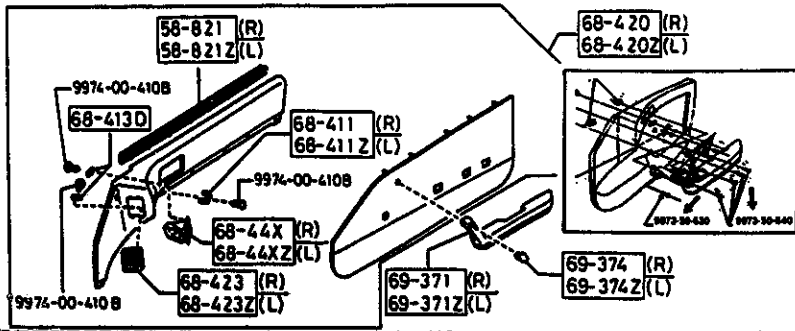


ITEM NO.	D-CODE	DESCRIPTION	PART NO.	QTY	MODEL/DESCRIPTION	REMARKS
51 451		LENS (R), COURTESY LAMP	FB05-51-531	1	GXL TURBO W/ COURTESY LAMP	
51 451Z		LENS (L), COURTESY LAMP	FB05-51-591	1	GXL TURBO W/ COURTESY LAMP	
51 530A		LAMP (R), COURTESY-DOOR TRIM	FB05-51-530	1	GXL TURBO W/ COURTESY LAMP	
51 530Y		LAMP (L), COURTESY-DOOR TRIM	FB05-51-590	1	GXL TURBO W/ COURTESY LAMP	
51 550J		BULB	0000-11-0194	2	12V, 3.8W GXL TURBO W/ COURTESY LAMP	
58 811		WEATHERSTRIP (R), OUTER	FB01-58-810	1		
58 811Z		WEATHERSTRIP (L), OUTER	FB01-59-810	1		
58 815A		CLIP, WEATHERSTRIP, OUTER	FB01-58-815	12		
58 821		WEATHERSTRIP (R), INNER	FB01-58-821	1		
58 821Z		WEATHERSTRIP (L), INNER	FB01-59-821	1		
68 037A		GROMMET, SCREW	FB01-68-403	2		
68 153C		SCREW, TAPPING	FB01-68-425	6		8215-
		BLACK	02			
		GRAY	04			
		RED	11			
		BLUE	48			
68 153D		SCREW, TAPPING	FA56-68-025B	2		-7401
			09			
			11			
			48			
68 402		GROMMET, SCREW	FA54-68-402	8		
68 411		BRACKET NO. 1 (R), GRILLE-TRIM	FB01-68-411	1	W/O POWER WINDOW	
			FB01-68-414	1	W/ POWER WINDOW	
68 411Z		BRACKET NO. 1 (L), GRILLE-TRIM	FB01-68-412	1	W/O POWER WINDOW	
			FB01-68-415	1	W/ POWER WINDOW	
68 413D		WASHER	FB01-68-413	10		
68 420		TRIM (R), DOOR	FB05-68-420B	1	GXL CLOTH W/ PWR. WIND. & CD	-7701
		DARK GRAY	07			
		RED	10			
		BLUE	50			
			FB09-68-420	1	GXL CLOTH W/ PWR. WIND. & CD	7701-
		DARK GRAY	09			
		RED	10			
		BLUE	50			

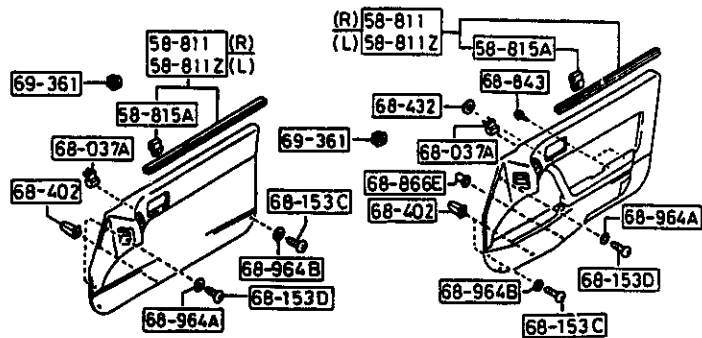
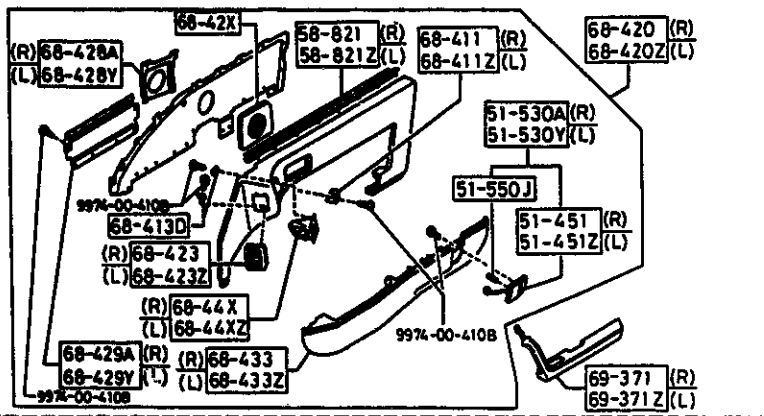
7401 FC33* -543109
 7701 FC33* -550169
 8215 FC33* -621379

5840A-2 FRONT DOOR TRIMS & RELATED PARTS (COUPE)

(W/O C.O.SPEAKER)



(W/C.O.SPEAKER)

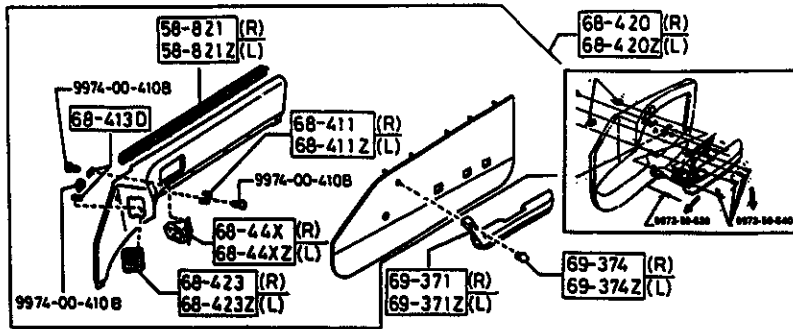


ITEM NO.	D-CODE	DESCRIPTION	PART NO.	QTY	MODEL/DESCRIPTION	REMARKS	
68 420 (CONT'D)			FB03-68-420A	1	GXL CLOTH	-7701	
					W/ PWR. WIND., W/O CD		
			DARK GRAY	07			
			RED	10			
			BLUE	48			
				FB07-68-420	1	GXL CLOTH	7701-
						W/ PWR. WIND., W/O CD	
			DARK GRAY	07			
			RED	10			
			BLUE	48			
				FB04-68-420A	1	GXL LEATHER	-7701
						W/ PWR. WIND., W/O CD	
	DARK GRAY	07					
	RED	10					
	BLUE	48					
		FB08-68-420	1	GXL TURBO, LEATHER	7701-		
				W/ PWR. WIND., W/O CD			
	DARK GRAY	07					
	RED	13					
	BLUE	48					
		FB45-68-420A	1	TURBO, CLOTH	-7701		
				W/ PWR. WIND., W/O CD			
	DARK GRAY	07					
	RED	10					
	BLUE	49					
		FB60-68-420	1	TURBO, CLOTH	7701-		
				W/ PWR. WIND., W/O CD			
	DARK GRAY	07					
	RED	10					
	BLUE	49					
		FB46-68-420B	1	TURBO, CLOTH	-7701		
				W/ PWR. WIND. & CD			
	DARK GRAY	09					
	RED	10					
	BLUE	48					
		FB61-68-420	1	TURBO, CLOTH	7701-		
				W/ PWR. WIND. & CD			
	DARK GRAY	09					

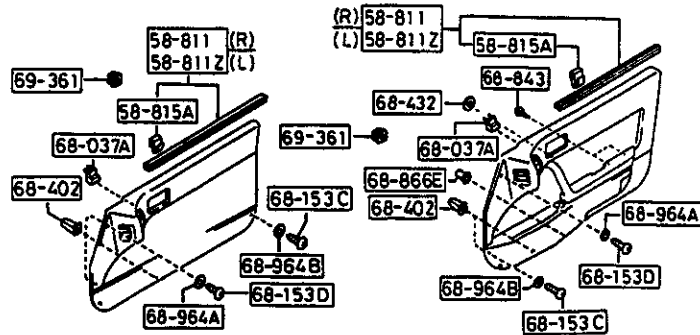
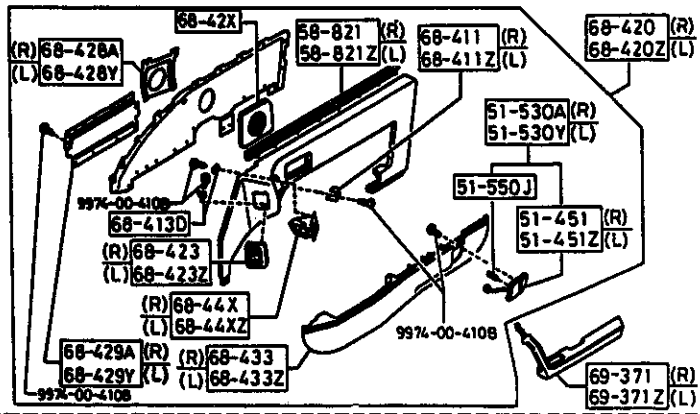
7701 FC33* -550169

5840A-3 FRONT DOOR TRIMS & RELATED PARTS (COUPE)

(W/O C.D. SPEAKER)



(W/C.D. SPEAKER)

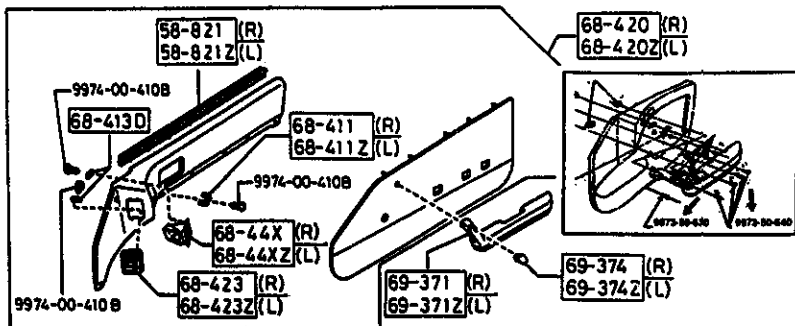


ITEM NO.	D-CODE	DESCRIPTION	PART NO.	QTY	MODEL/DESCRIPTION	REMARKS
68 420	(CONT'D)	RED	10	1	BASE, SE, CLOTH W/O PWR. WIND. & CD	-7701
		BLUE	50			
		DARK GRAY	07	1	BASE, SE, CLOTH W/O PWR. WIND. & CD	7701-
		RED	10			
		BLUE	48	1	BASE, SE, CLOTH W/O PWR. WIND. & CD	7701-
		DARK GRAY	07			
		RED	10	1	GX1, LEATHER W/ PWR. WIND. & CD	-7701
		BLUE	48			
		DARK GRAY	07	1	GX1, TURBO. LEATHER W/ PWR. WIND. & CD	7701-
		RED	13			
		BLUE	50	1	SPORT, GTU, CLOTH W/ PWR. WIND. & CD	7701-
		DARK GRAY	09			
		RED	13	1	SPORT, GTU, CLOTH W/ PWR. WIND. & CD	7701-
		BLUE	50			
		DARK GRAY	07	1	10TH ANNIV. ED., LEATHER W/ PWR. WIND., W/O CD	8215-
		RED	10			
		BLUE	49	1	10TH ANNIV. ED., LEATHER W/ PWR. WIND., W/O CD	8215-
		BLACK	02			
68 420Z		TRIM (L), DOOR	FB05-68-450B	1	GX1, CLOTH W/ PWR. WIND. & CD	-7701
		DARK GRAY	07	1	GX1, CLOTH W/ PWR. WIND. & CD	7701-
		RED	10			
		BLUE	50	1	GX1, CLOTH W/ PWR. WIND. & CD	7701-
		DARK GRAY	09			
		RED	10	1	GX1, CLOTH W/ PWR. WIND. & CD	7701-
		BLUE	50			

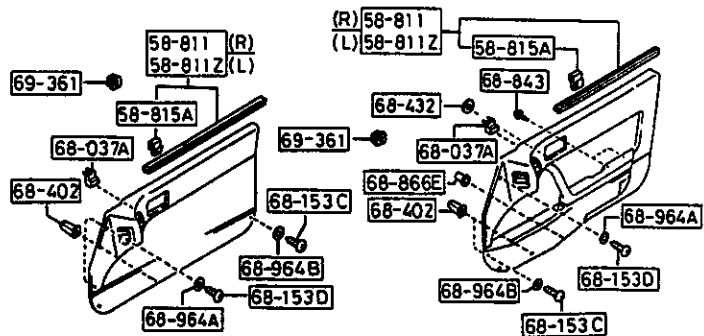
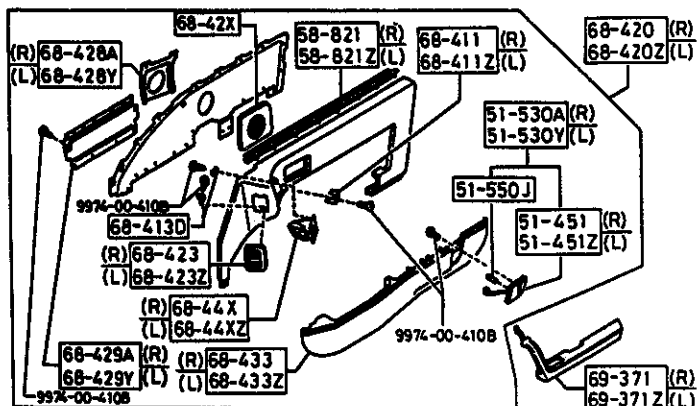
7701 FC33* -550169
8215 FC33* -621379

5840A-4 FRONT DOOR TRIMS & RELATED PARTS (COUPE)

(W/O C.D.SPEAKER)



(W/C.D.SPEAKER)

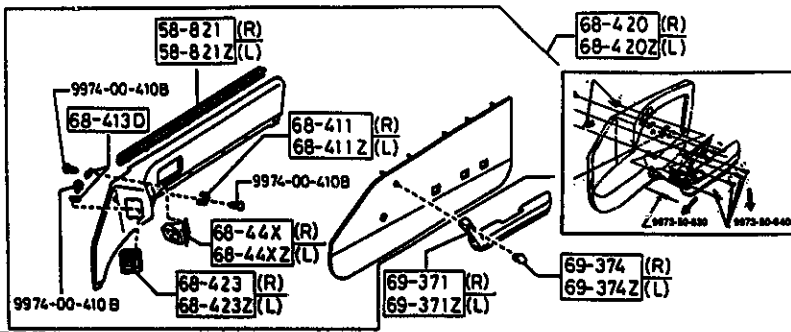


ITEM NO.	D-CODE	DESCRIPTION	PART NO.	QTY	MODEL/DESCRIPTION	REMARKS
	68 420Z (CONT'D)		FB03-68-450A	1	GXL CLOTH W/ PWR. WIND., W/O CD	-7701
		DARK GRAY	07			
		RED	10			
		BLUE	48			
			FB07-67-450	1	GXL CLOTH W/ PWR. WIND., W/O CD	7701-
		DARK GRAY	07			
		RED	10			
		BLUE	48			
			FB04-68-450A	1	GXL LEATHER W/ PWR. WIND., W/O CD	-7701
		DARK GRAY	07			
		RED	13			
		BLUE	48			
			FB08-68-450	1	GXL TURBO, LEATHER W/ PWR. WIND., W/O CD	7701-
		DARK GRAY	07			
		RED	13			
		BLUE	48			
			FB45-68-450A	1	TURBO, CLOTH W/ PWR. WIND., W/O CD	-7701
		DARK GRAY	07			
		RED	10			
		BLUE	49			
			FB60-68-450	1	TURBO, CLOTH W/ PWR. WIND., W/O CD	7701-
		DARK GRAY	07			
		RED	10			
		BLUE	49			
			FB46-68-450B	1	TURBO, CLOTH W/ PWR. WIND. & CD	-7701
		DARK GRAY	07			
		RED	10			
		BLUE	48			
			FB61-68-450	1	TURBO, CLOTH W/ PWR. WIND. & CD	7701-
		DARK GRAY	09			

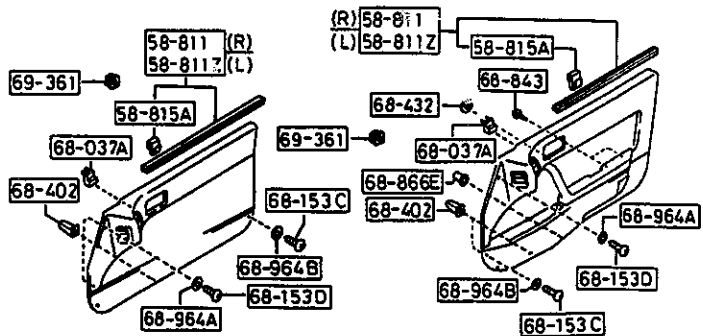
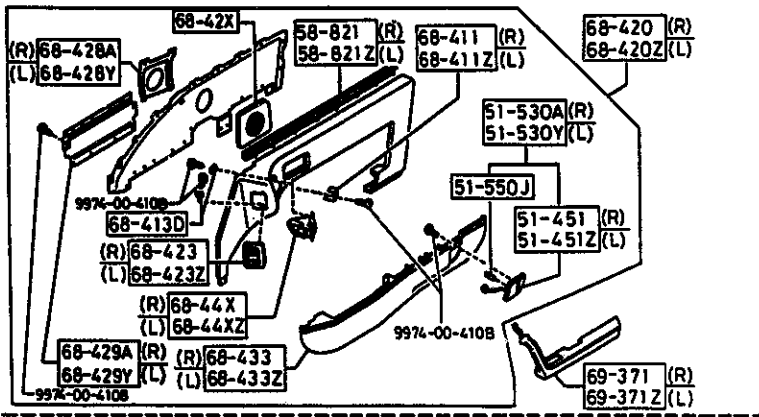
7701 FC33* -550169

5840A-5 FRONT DOOR TRIMS & RELATED PARTS (COUPE)

(W/O C.D.SPEAKER)



(W/C.D.SPEAKER)

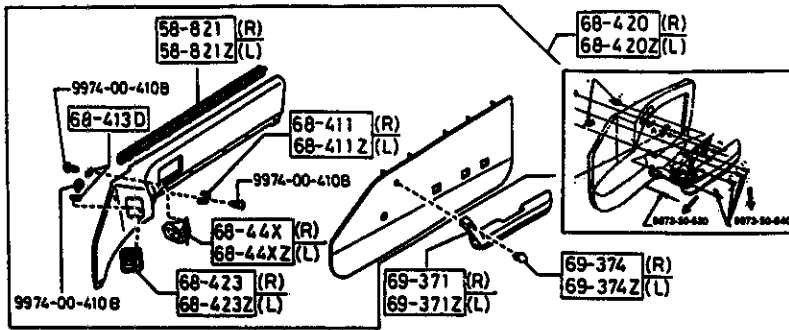


ITEM NO.	D-CODE	DESCRIPTION	PART NO.	QTY	MODEL/DESCRIPTION	REMARKS				
	68 420Z (CONTD)	RED	10		BASE, SE. CLOTH W/O PWR. WIND. & CD	-7701				
		BLUE	50	FB02-68-450A						
		DARK GRAY	07							
		RED	10							
		BLUE	48							
		DARK GRAY	07							
		RED	10							
		BLUE	48							
		DARK GRAY	09							
		RED	13							
		BLUE	48							
		DARK GRAY	09							
		RED	13							
		BLUE	50							
		DARK GRAY	07							
		RED	10							
		BLUE	49							
		BLACK	02							
		68 423		COVER (R), DUST-DOOR TRIM			FB01-68-423	1		8215-
				BLACK			02			8215-
				DARK GRAY			07			
				RED			10			
				BLUE			48			
		68 423Z		COVER (L), DUST-DOOR TRIM			FB01-68-453	1		8215-
		BLACK	02							
		DARK GRAY	07							
		RED	10							
		BLUE	48							

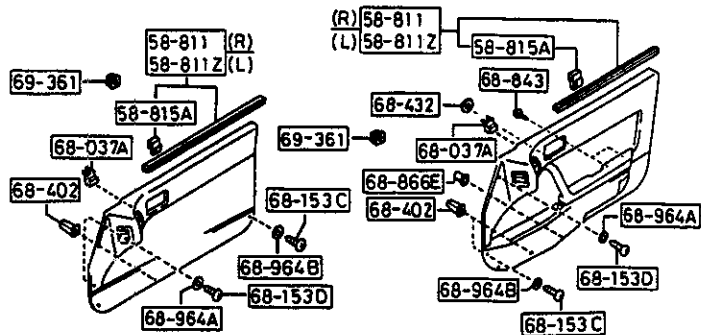
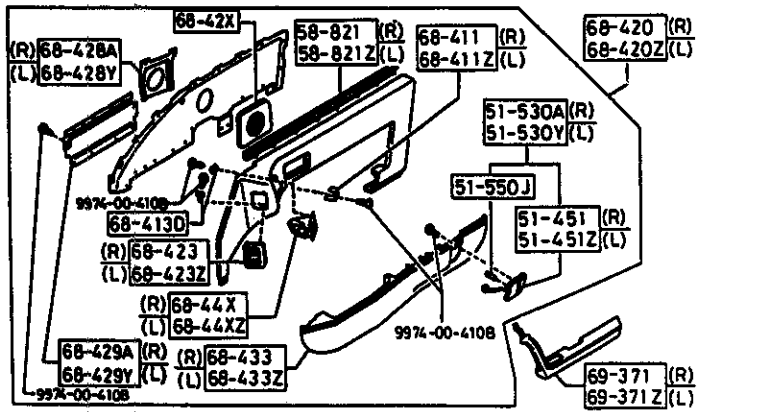
7701 FC33* -550169
8215 FC33* -621379

5840A-6 FRONT DOOR TRIMS & RELATED PARTS (COUPE)

(W/O C.D.SPEAKER)



(W/C D.SPEAKER)

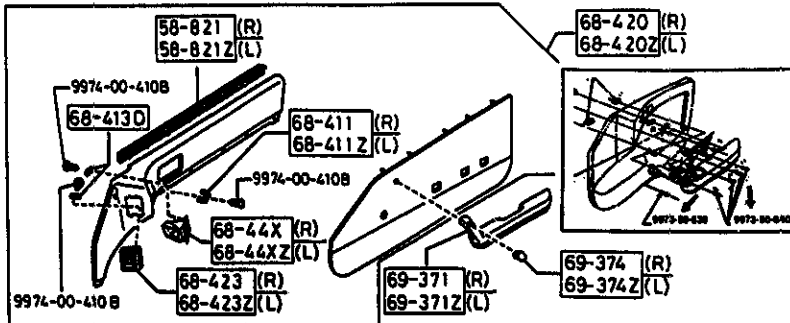


ITEM NO.	D-CODE	DESCRIPTION	PART NO.	QTY	MODEL/DESCRIPTION	REMARKS
68 428A		BRACKET (R), SPEAKER GRILLE	FB05-68-428	1	GXL TURBO W/ CD	
68 428Y		BRACKET (L), SPEAKER GRILLE	FB05-68-458	1	GXL TURBO W/ CD	
68 429A		COVER (R), POCKET-DOOR TRIM	FB03-68-429	1	GXL TURBO	
		BLACK	02			8215-
		DARK GRAY	07			
		RED	10			
		BLUE	48			
68 429Y		COVER (L), POCKET-DOOR TRIM	FB03-68-459	1	GXL TURBO	
		BLACK	02			8215-
		DARK GRAY	07			
		RED	10			
		BLUE	48			
68 42X		GRILLE, SPEAKER-DOOR TRIM	FB05-68-42X	2	W/ CD GRILLE	
		DARK GRAY	07			-6A01
		DARK GRAY	09			6A01-
		RED	10			
		BLUE	48			-6A01
		BLUE	50			6A01-
68 432		NUT, SPEED	G033-68-432	2		
68 433		POCKET (R), DOOR TRIM	FB03-68-427	1	GXL TURBO	
		DARK GRAY	07			7701-
		RED	10			
		BLUE	48			
			FB67-68-427			
		BLACK	02			7701-
		RED	10			
		BLUE	48			
68 433Z		POCKET (L), DOOR TRIM	FB03-68-457	1	GXL TURBO	
		DARK GRAY	07			7701-
		RED	10			
		BLUE	48			
			FB67-68-457			
		BLACK	02			7701-
		RED	10			
		BLUE	48			
68 44X		GRILLE (L), VENT-DOOR TRIM	FB01-68-47X	1		
		BLACK	02			8215-
		DARK GRAY	07			
		RED	10			
		BLUE	48			

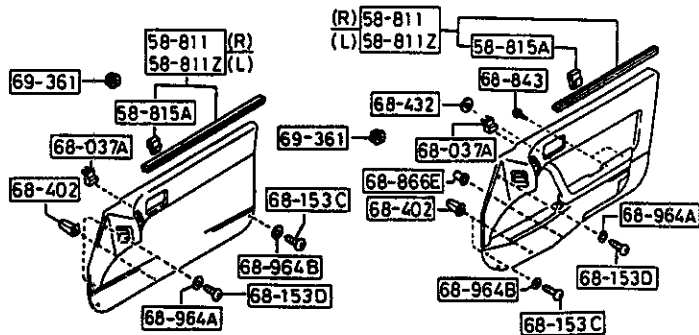
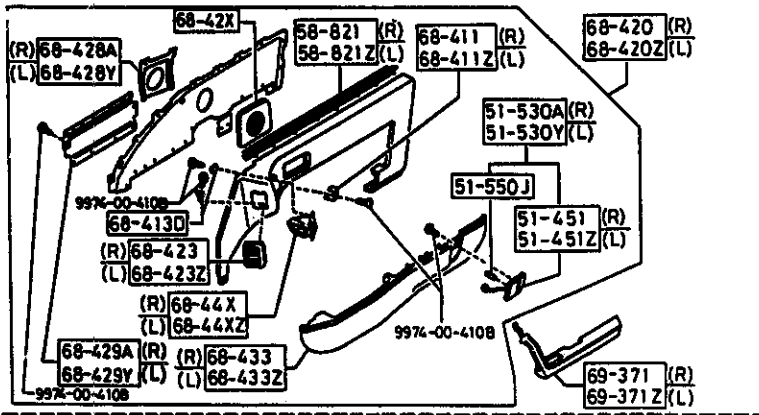
6A01 FC33* -517640
 7701 FC33* -550169
 8215 FC33* -621379

5840A-7 FRONT DOOR TRIMS & RELATED PARTS (COUPE)

(W/O C.O.SPEAKER)



(W/C.D.SPEAKER)

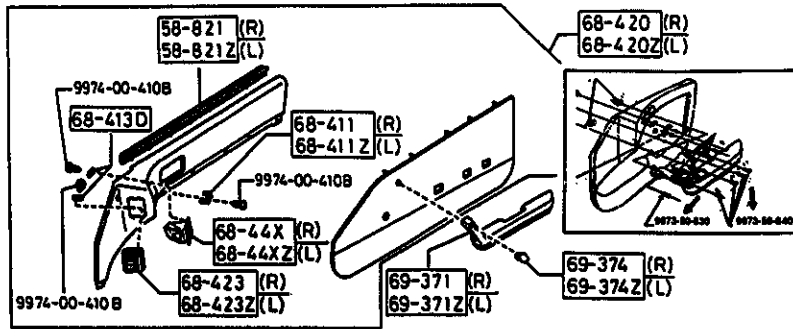


ITEM NO.	D-CODE	DESCRIPTION	PART NO.	QTY	MODEL/DESCRIPTION	REMARKS
68 843		SCREW, TAPPING	UB39-68-805	4		
68 866E		FASTENER, SEAL	0187-58-922	2		
68 964A		WASHER	G030-68-964C	2		
		DARK GRAY	09			
		RED	11			
		BLUE	48			
68 964B		WASHER	FB01-68-427	6		
		BLACK	02			
		DARK GRAY	04			
		RED	11			
		BLUE	48			
69 361		GROMMET, SCREW	H001-69-361	12		-8801
			8316-69-361	12		8801-
69 371		REST (R), ARM	FB01-69-370	1	GXL TURBO W/ PWR. WIND.	
		BLACK	02			
		DARK GRAY	07			
		RED	10			
		BLUE	48			
			FB02-69-370	1	BASE, SPORT, SE, GTU W/O PWR. WIND.	
		BLACK	02			
		DARK GRAY	07			
		RED	10			
		BLUE	48			
69 371Z		REST (R), ARM	FB01-69-390	1	GXL TURBO W/ PWR. WIND.	
		BLACK	02			
		DARK GRAY	07			
		RED	10			
		BLUE	48			
			FB02-69-390	1	BASE, SPORT, SE, GTU W/O PWR. WIND.	
		BLACK	02			
		DARK GRAY	07			
		RED	10			
		BLUE	48			
69 374		CAP (R), PULL HANDLE	8F70-69-372	1	BASE, SPORT, SE, GTU W/O PWR. WIND.	
		BLACK	02			
		DARK GRAY	07			
		RED	10			
		BLUE	48			

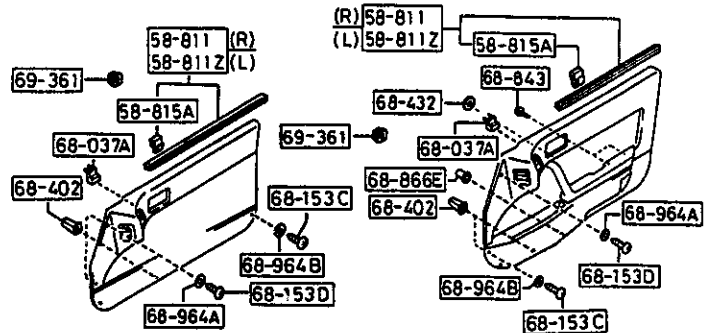
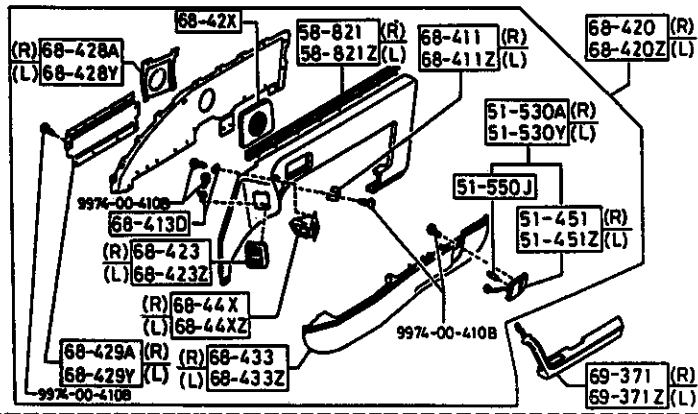
8801 FC33* -627778

5840A-8 FRONT DOOR TRIMS & RELATED PARTS (COUPE)

(W/O C.D.SPEAKER)

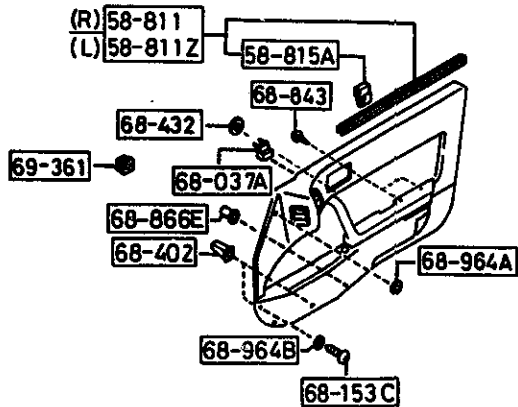
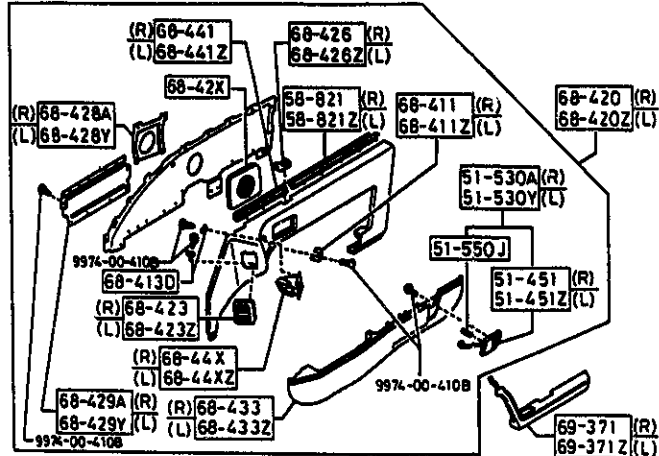


(W/C.D.SPEAKER)



ITEM NO.	D-CODE	DESCRIPTION	PART NO.	QTY	MODEL/DESCRIPTION	REMARKS
	69 374Z	CAP (L), PULL HANDLE	BF70-69-392	1	BASE, SPORT, SE, GTU W/O PWR. WIND.	
		BLACK	02			
		DARK GRAY	07			
		RED	10			
		BLUE	48			

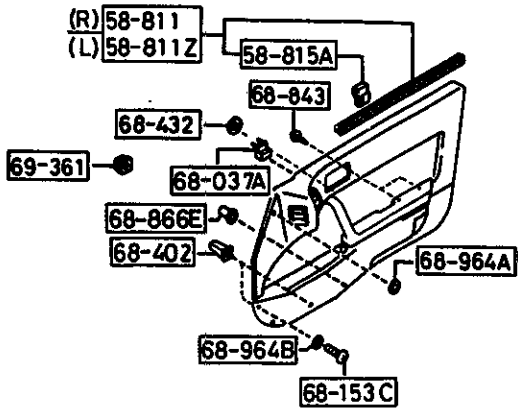
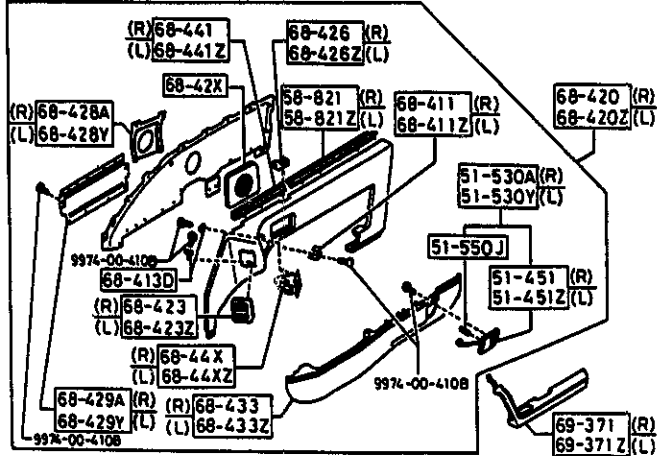
5840AB-1 FRONT DOOR TRIMS & RELATED PARTS (CONVERTIBLE)



ITEM NO.	D-CODE	DESCRIPTION	PART NO.	QTY	MODEL/DESCRIPTION	REMARKS
51 451		LENS (R), COURTESY LAMP	FB05-51-531	1		
51 451Z		LENS (L), COURTESY LAMP	FB05-51-591	1		
51 530A		LAMP (R), COURTESY-DOOR TRIM	FB05-51-530	1		
51 530Y		LAMP (L), COURTESY-DOOR TRIM	FB05-51-590	1		
51 550J		BULB	0000-11-0194	2	12V, 3.8W	
58 811		WEATHERSTRIP (R), OUTER	FB67-58-810C	1		-7A14
			FB67-58-810D	1		7A14-
58 811Z		WEATHERSTRIP (L), OUTER	FB67-59-810D	1		
58 815A		CLIP, WEATHERSTRIP-OUTER	FB01-58-815	12		
58 821		WEATHERSTRIP (R), INNER	FB67-58-821	1		
58 821Z		WEATHERSTRIP (L), INNER	FB67-59-821	1		
68 037A		GROMMET, SCREW	FB01-68-403	2		
68 153C		SCREW, TAPPING	FB01-68-425	6		
		BLACK	02			
		GRAY	04			
		RED	11			
		BLUE	48			
68 402		GROMMET, SCREW	FA54-68-402	8		
68 411		BRACKET NO. 1 (R), GRILLE-TRIM	FB01-68-414	1		
68 411Z		BRACKET NO. 1 (L), GRILLE-TRIM	FB01-68-415	1		
68 413D		WASHER	FB01-68-413	10		
68 420		TRIM (R), DOOR	FB67-68-420	1	CLOTH W/ PWR. WIND. & CD	
		DARK GRAY	09			
		BLUE	50			
			FB68-68-420	1	LEATHER W/ PWR. WIND. & CD	
		DARK GRAY	09			
		BLUE	50			
68 420Z		TRIM (L), DOOR	FB67-68-450	1	CLOTH W/ PWR. WIND. & CD	
		DARK GRAY	09			
		BLUE	50			
			FB68-68-450	1	LEATHER W/ PWR. WIND. & CD	
		DARK GRAY	09			
		BLUE	50			
68 423		COVER (R), DUST-DOOR TRIM	FB01-68-423	1		
		BLACK	02			
		DARK GRAY	07			
		RED	10			
		BLUE	48			
68 423Z		COVER (L), DUST-DOOR TRIM	FB01-68-453	1		

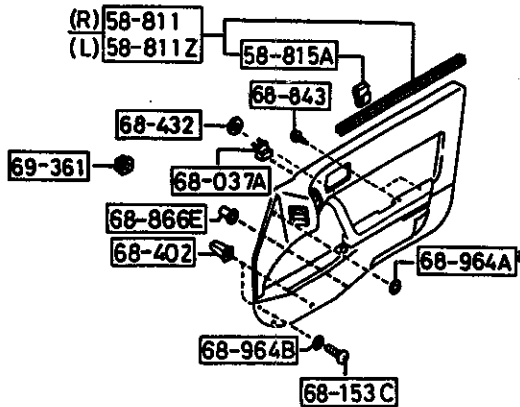
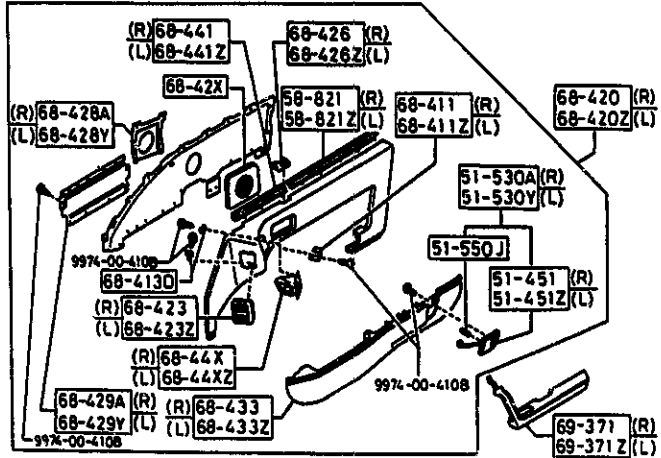
7A14 FC351 -101140

5840AB-2 FRONT DOOR TRIMS & RELATED PARTS (CONVERTIBLE)



ITEM NO.	D-CODE	DESCRIPTION	PART NO.	QTY	MODEL/DESCRIPTION	REMARKS
68 423Z	(CONTD)	BLACK	02			
		DARK GRAY	07			
		RED	10			
		BLUE	48			
68 426		VESSEL (R), CHANNEL	FB67-68-426	1		
68 426Z		VESSEL (L), CHANNEL	FB67-68-456	1		
68 428A		BRACKET (R), SPEAKER GRILLE	FB05-68-428	1		
68 428Y		BRACKET (L), SPEAKER GRILLE	FB05-68-458	1		
68 429A		COVER (R), POCKET-DOOR TRIM	FB03-68-429	1		
		BLACK	02			
		DARK GRAY	07			
		RED	10			
		BLUE	48			
68 429Y		COVER (L), POCKET-DOOR TRIM	FB03-68-459	1		
		BLACK	02			
		DARK GRAY	07			
		RED	10			
		BLUE	48			
68 42X		GRILLE, SPEAKER-DOOR TRIM	FB05-68-42X	2		
		DARK GRAY	07			
		DARK GRAY	09			
		RED	10			
		BLUE	48			
		BLUE	50			
68 432		NUT, SPEED	G033-68-432	2		
68 433		POCKET (R), DOOR TRIM	FB67-68-427	1		
		BLACK	02			
		DARK GRAY	07			
		BLUE	48			
68 433Z		POCKET (L), DOOR TRIM	FB67-68-457	1		
		BLACK	02			
		DARK GRAY	07			
		BLUE	48			
68 441		GARNISH (R), DOOR	FB67-68-422	1		
68 441Z		GARNISH (L), DOOR	FB67-68-452	1		
68 44X		GRILLE (R), VENT-DOOR TRIM	FB01-68-44X	1		
		BLACK	02			
		DARK GRAY	07			
		RED	10			
		BLUE	48			
68 44XZ		GRILLE (L), VENT-DOOR TRIM	FB01-68-47X	1		

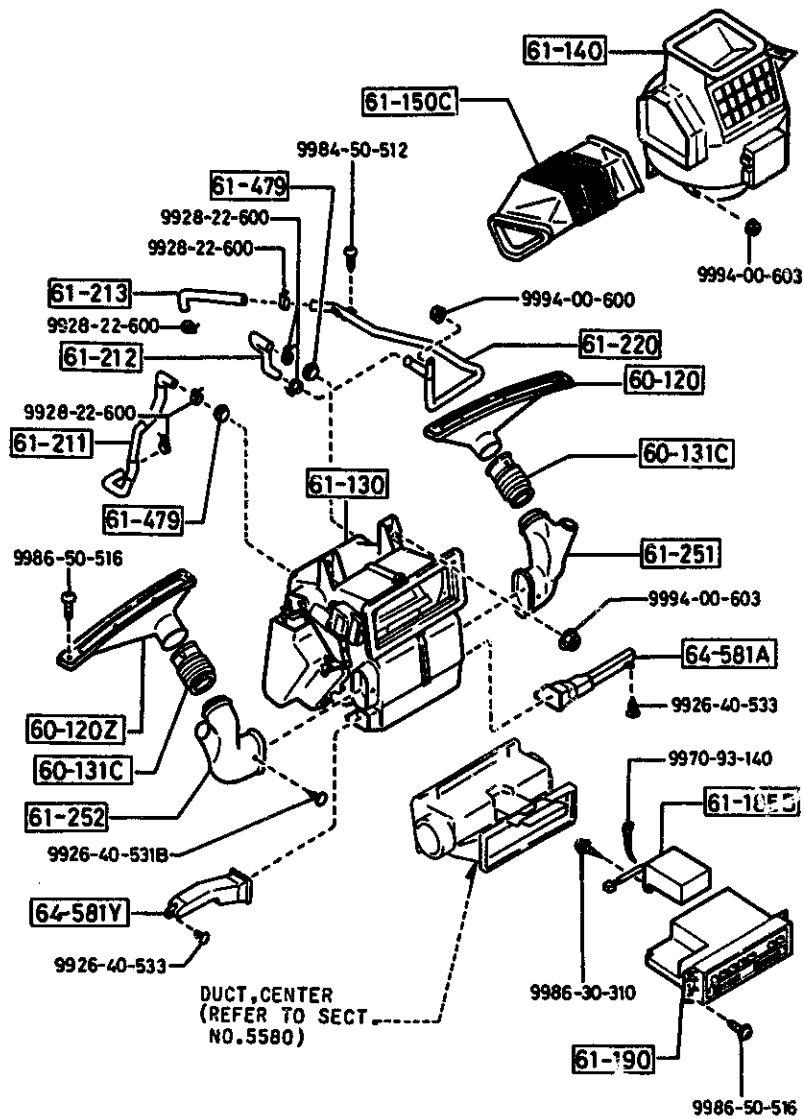
5840AB-3 FRONT DOOR TRIMS & RELATED PARTS (CONVERTIBLE)



ITEM NO.	D-CODE	DESCRIPTION	PART NO.	QTY	MODEL/DESCRIPTION	REMARKS	
68 44XZ (CONT'D)		BLACK	02				
		DARK GRAY	07				
		RED	10				
		BLUE	48				
68 843		SCREW, TAPPING	UB39-68-805	4			
68 866E		FASTENER, SEAL	0187-58-922	2			
68 964A		WASHER	G030-68-964C	2			
		BLACK	00				
68 964B		WASHER	FB01-68-427	6			
		BLACK	02				
		DARK GRAY	04				
		RED	11				
		BLUE	48				
		BLACK	02				
69 361		GROMMET, SCREW	H001-69-361	12		-8801	
			B316-69-361	12		8801-	
	69 371		REST (R), ARM	FB01-69-370	1		
			BLACK	02			
		DARK GRAY	04				
		RED	11				
69 371Z		REST (L), ARM	FB01-69-390	1			
		BLACK	02				
		DARK GRAY	04				
		RED	11				
	BLUE	48					

8801 FC33* -427778

6100-1 HEATER



ITEM NO.	D-CODE	DESCRIPTION	PART NO.	QTY	MODEL/DESCRIPTION	REMARKS
60 120		NOZZLE (R), DEFROSTER	FB01-60-121B	1		
60 120Z		NOZZLE (L), DEFROSTER	FB01-60-141B	1		
60 131C		DUCT, DEFROSTER	FB01-61-256	2		
61 130		HEATER UNIT	FB01-61-130A	1		
61 140		BLOWER UNIT	FB05-61-140	1	W/O IGN. RELAY	
			FB01-61-140F	1	W/ IGN. RELAY	
61 150C		DUCT, AIR	FB01-61-150A	1		
61 185B		BOX, AMP-HEATER CONTROL	FB01-61-185A	1		
		REFER TO SERV. BULL. NO. 037/86, CAT. 15, FOR MORE INFO.				
		<A>	FB01-61-185B	1		
61 190		CONTROL, HEATER	FB03-61-190C	1		
61 211		HOSE NO. 1, WATER	FB03-61-211	1	TURBO, M. T	-6220
			FB01-61-211C	1	M/T, W/O TURBO	5912-
				1	M/T, W/O TURBO	-5912
				1	M/T, TURBO	6220-6401
61 212		HOSE NO. 2, WATER	FB01-61-212B	1		
61 213		HOSE NO. 3, WATER	FB01-61-213	1		
61 220		PIPE, HEATER	FB44-61-220A	1	TURBO	
			FB01-61-220C	1	W/O TURBO	
61 251		HOSE, DEFROSTER	FB01-61-251A	1		
61 252		HOSE, DEFROSTER	FB01-61-252	1		
61 479		GROMMET	8871-61-219A	2		
64 581A		DUCT (R), SHOWER	FB02-61-155C	1		
		DARK GRAY	07			
		RED	10			
		BLUE	48			
64 581Y		DUCT (L), SHOWER	FB02-61-156B	1		

5912 FC33* -104162
 6220 FC33* -132891
 6401 FC33* -140158

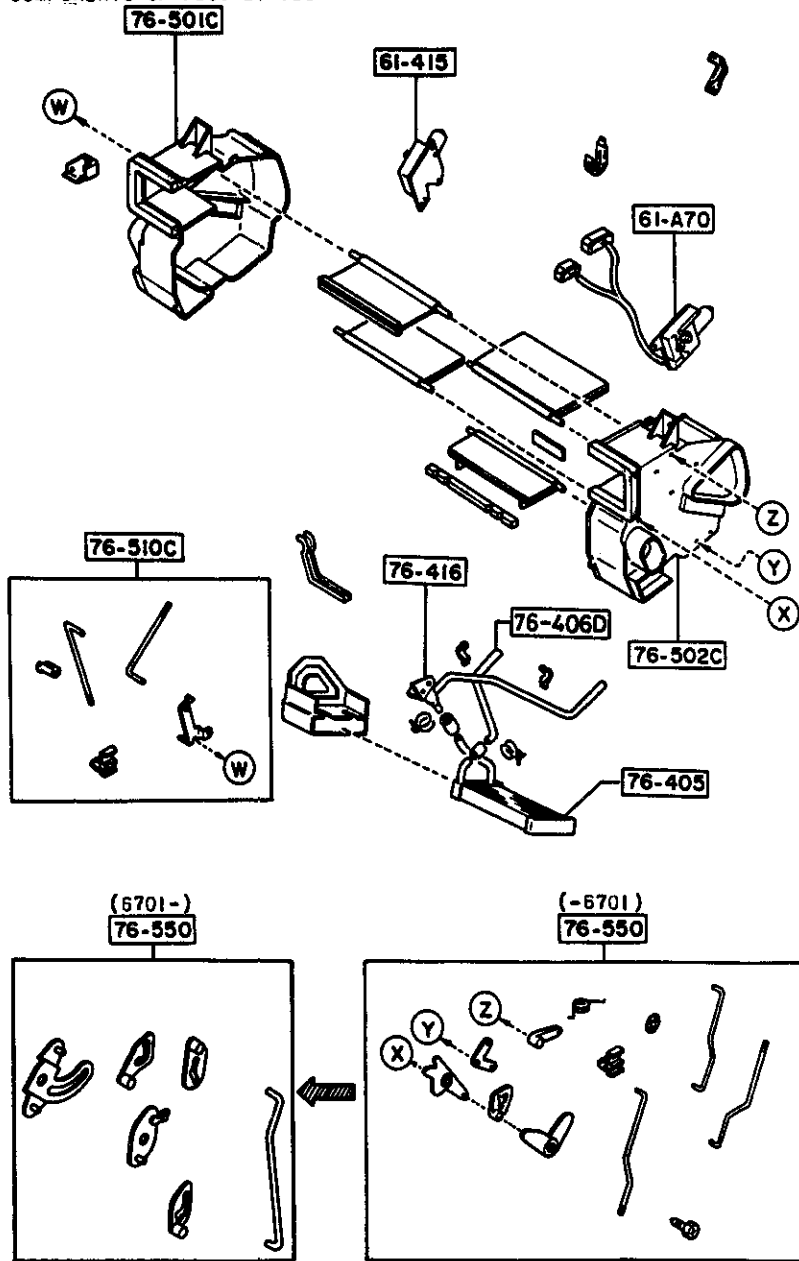
SECTION INDEX -- BODY

STARTING LOCATION	SECT. NO.	SECTION NAME	STARTING LOCATION	SECT. NO.	SECTION NAME	STARTING LOCATION	SECT. NO.	SECTION NAME
2 - C 3	0900A	KEY SETS	2 - L 6	5530	SPEEDOMETER CABLE	2 - N14	6300A	WINDOW GLASSES
2 - E 3	5000	FRONT BUMPER	2 - M 6	5540	METER COMPONENTS (COUPE) (W/O ANTI-LOCK BRAKE SYSTEM)			
2 - F 3	5005	RADIATOR GRILLE						
2 - G 3	5010A	REAR BUMPER	2 - C 7	5540A	METER COMPONENTS (COUPE) (ANTI-LOCK BRAKE SYSTEM)	2 - C15	6330	SUNROOF (COUPE)
2 - H 3	5030A	WINDOW MOULDINGS	2 - E 7	5540B	METER COMPONENTS (CONVERTIBLE)	2 - E15	6330A	SOFT TOP (CONVERTIBLE)
2 - I 3	5040A	BODY MOULDINGS						
2 - J 3	5060A	SIDE PROTECTORS	2 - F 7	5560	DASHBOARD & RELATED PARTS	2 - G15	6600B	SWITCHES & RELAYS (ENGINE) (W/O TURBO)
2 - K 3	5100	HEAD LAMPS	2 - I 7	5570	CONSOLE	2 - J15	6600BA	SWITCHES & RELAYS (ENGINE) (TURBO)
2 - L 3	5103	HEAD LAMP RETRACTORS	2 - K 7	5580	VENTILATOR			
2 - M 3	5105	FRONT COMBINATION LAMPS	2 - C 8	5700A	FRONT SEATS (COUPE)	2 - M15	6610	DASHBOARD SWITCHES (MANUAL OPERATING)
2 - C 4	5110A	REAR COMBINATION LAMPS	2 - C 9	5700AA	FRONT SEATS (COUPE) (LEATHER)	2 - N15	6611	COMBINATION SWITCH
2 - E 4	5120	LICENSE LAMPS				2 - C16	6612	CLUSTER SWITCH
2 - F 4	5125	INTERIOR LAMPS	2 - C10	5700AB	FRONT SEATS (CONVERTIBLE) (CLOTH)	2 - D16	6615	POWER WINDOW SWITCHES
2 - G 4	5130	OVERHEAD CONSOLE (COUPE)	2 - F10	5700AC	FRONT SEATS (CONVERTIBLE) (LEATHER)	2 - E16	6620	DOOR SWITCH
2 - H 4	5170	ORNAMENTS				2 - F16	6630	RELAYS & CPU (BODY)
2 - I 4	5180	COWL & EXTRACTOR GILLES	2 - J10	5750A	REAR SEATS (CLOTH)	2 - G16	6635	HORNS
2 - K 4	5230	HOOD	2 - C11	5750AA	REAR SEATS (LEATHER)	2 - H16	6640	AUTO CRUISE CONTROL SYSTEM
2 - L 4	5260	TRUNK LID (CONVERTIBLE)				2 - I16	6680	AUDIO SYSTEMS (RADIO & TAPE DECK)
2 - M 4	5310	BODY PANELS (FRONT) (COUPE)	2 - H11	5790A	SEAT BELTS			
2 - N 4	5310A	BODY PANELS (FRONT) (CONVERTIBLE)	2 - J11	5800A	FRONT DOORS (COUPE)			
2 - C 5	5320	BODY PANELS (FENDER & WHEEL APRON) (COUPE)	2 - K11	5800AA	FRONT DOORS (CONVERTIBLE)			
2 - D 5	5320B	BODY PANELS (FENDER & WHEEL APRON) (CONVERTIBLE)	2 - C12	5830A	FRONT DOOR MECHANISMS (COUPE)			
2 - E 5	5330	BODY PANELS (DASH & COWL PANEL)	2 - H12	5830AA	FRONT DOOR MECHANISMS (CONVERTIBLE)			
2 - F 5	5340A	BODY PANELS (SIDE) (COUPE)	2 - C13	5840A	FRONT DOOR TRIMS & RELATED PARTS (COUPE)			
2 - H 5	5340AA	BODY PANELS (SIDE) (CONVERTIBLE)	2 - K13	5840AB	FRONT DOOR TRIMS & RELATED PARTS (CONVERTIBLE)			
2 - K 5	5360A	BODY PANELS (ROOF) (COUPE)	2 - N13	6100	HEATER			
2 - L 5	5370	BODY PANELS (FLOOR) (COUPE)	2 - C14	6110	HEATER UNIT COMPONENTS			
2 - M 5	5370A	BODY PANELS (FLOOR) (CONVERTIBLE)	2 - D14	6115	HEATER CONTROLS COMPONENTS			
2 - C 6	5390	FLOOR ATTACHMENTS (COUPE)	2 - E14	6120	HEATER BLOWER COMPONENTS			
2 - E 6	5390A	FLOOR ATTACHMENTS (CONVERTIBLE)	2 - F14	6130	AIR CONDITIONER (W/O AIR CONDITIONER)			
2 - G 6	5500	DASHBOARD EQUIPMENTS (COUPE) (W/O ANTI-LOCK BRAKE SYSTEM)	2 - G14	6132A	CONDENSER PACKAGE			
2 - I 6	5500A	DASHBOARD EQUIPMENTS (COUPE) (ANTI-LOCK BRAKE SYSTEM)	2 - I14	6142A	COMPRESSOR MOUNTING KIT, COMPRESSOR/CLUTCH ASSEMBLY & REPAIR PARTS			
2 - J 6	5500B	DASHBOARD EQUIPMENTS (CONVERTIBLE)	2 - J14	6152A	EVAPORATOR PACKAGE			
2 - K 6	5520	METER HOOD	2 - K14	6200	LIFT GATE			
			2 - L14	6230	LIFT GATE MECHANISMS (COUPE)			

2 - B14

6110-1 HEATER UNIT COMPONENTS

COMPONENTS OF FB01-61-130A

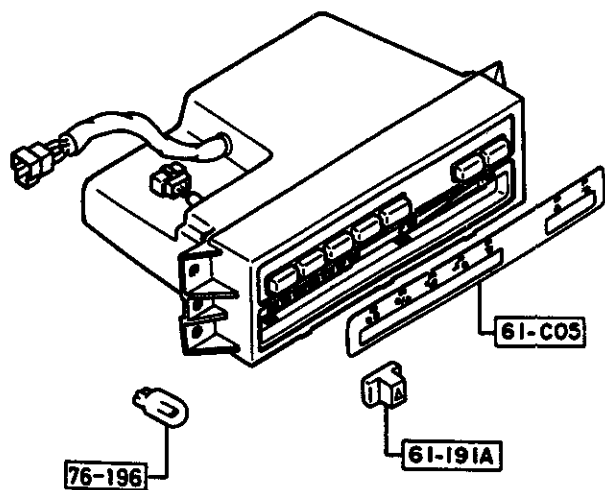


ITEM NO.	D-CODE	DESCRIPTION	PART NO.	QTY	MODEL/DESCRIPTION	REMARKS
61 415		ACTUATOR, TEMPERATURE	FB01-61-A60A	1		
61 A70		ACTUATOR, MODE-HEATER UNIT	FB01-61-A70	1		-6701
			FB01-61-A70A	1		6701-
76 405		CORE, HEATER	FB01-61-A10	1		
76 406D		PIPE, HEATER UNIT	FB01-61-A15	1		
76 416		VALVE, WATER	FB01-61-A40	1		
76 501C		CASE (R), HEATER UNIT	FB01-61-A01	1		
76 502C		CASE (L), HEATER UNIT	FB01-61-A02	1		-6701
			FB01-61-A02A	1		6701-
76 510C		LINK SET, TEMPERATURE	FB01-61-A20	1		
76 550		LINK SET, MODE	FB01-61-A30	1		-6701
			FB01-61-A30A	1		6701-

6701 FC33* -500010

6115-1 HEATER CONTROLS COMPONENTS

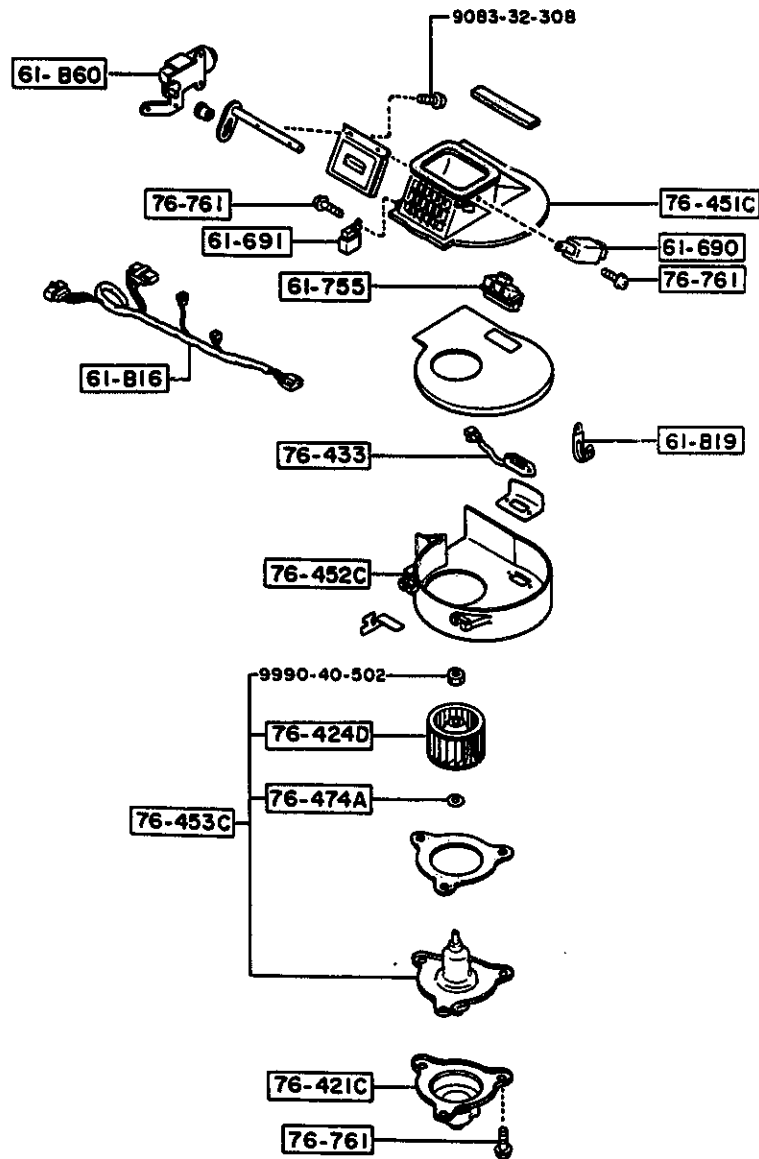
COMPONENTS OF FB03-61-190B
FB03-61-190C



ITEM NO.	D-CODE	DESCRIPTION	PART NO.	QTY	MODEL/DESCRIPTION	REMARKS
	61 191A	KNOB NO. 1	FB03-61-191	2		
	61 C05	FILM, PANEL-NO. 1	FB03-61-C05	1		
	76 196	BULB	FA55-76-196	2		

6120-1 HEATER BLOWER COMPONENTS

COMPONENTS OF FB01-61-140F
F 05-61-140

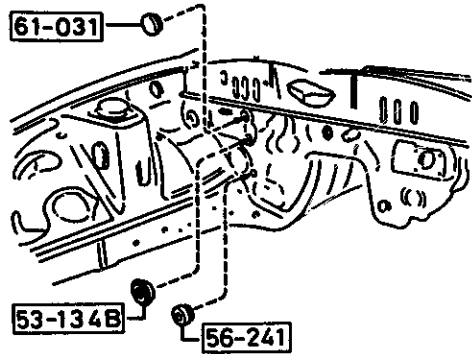


ITEM NO.	D-CODE	DESCRIPTION	PART NO.	QTY	MODEL/DESCRIPTION	REMARKS
61 690		RELAY	FB03-61-691	1	W/ IGN. RELAY BLOWER	
61 691		RELAY	FB02-61-691	1		
61 755		TRANSISTOR, POWER	FB01-61-769	1		
61 816		HARNES, BLOWER UNIT	FB01-61-B16A	1	W/ IGN. RELAY BLOWER	
			FB05-61-B16	1	W/O IGN. RELAY BLOWER	
61 819		CUP, MOTOR-BLOWER UNIT	FB01-61-819	1		
61 860		ACTUATOR, RECYCLE & FRESH	FB01-61-860	1		
76 421C		COVER, MOTOR	UB39-61-840	1		
76 424D		FAN, MOTOR	8871-76-456	1		
76 433		RESISTOR, BLOWER UNIT	FB01-61-815	1		
76 451C		CASE (R), BLOWER	FB01-61-801	1		
76 452C		CASE (L), BLOWER	FB01-61-802A	1		
76 453C		MOTOR, BLOWER	UB94-61-810	1		
76 474A		WASHER, PLAIN	FA55-76-474	1		
76 761		SCREW	FA55-76-455	5		

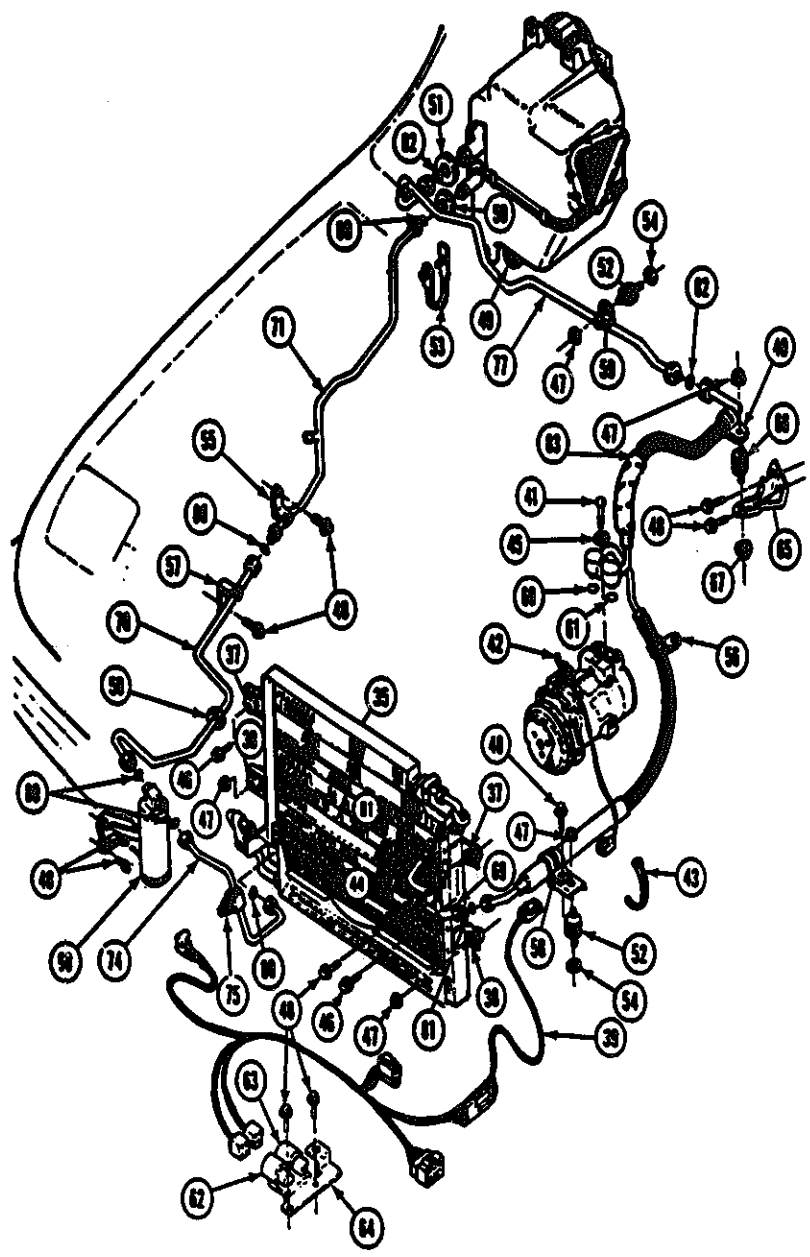
6130-1

**AIR CONDITIONER
(W/O AIR CONDITIONER)**

ITEM NO.	D-CODE	DESCRIPTION	PART NO.	QTY	MODEL/DESCRIPTION	REMARKS
53 134B		RUBBER, DUST SEAL	0187-53-134	1		
56 241		PLUG, DRAIN	0116-56-241	1		
61 031		PLUG, HOLE	1708-61-031	1		

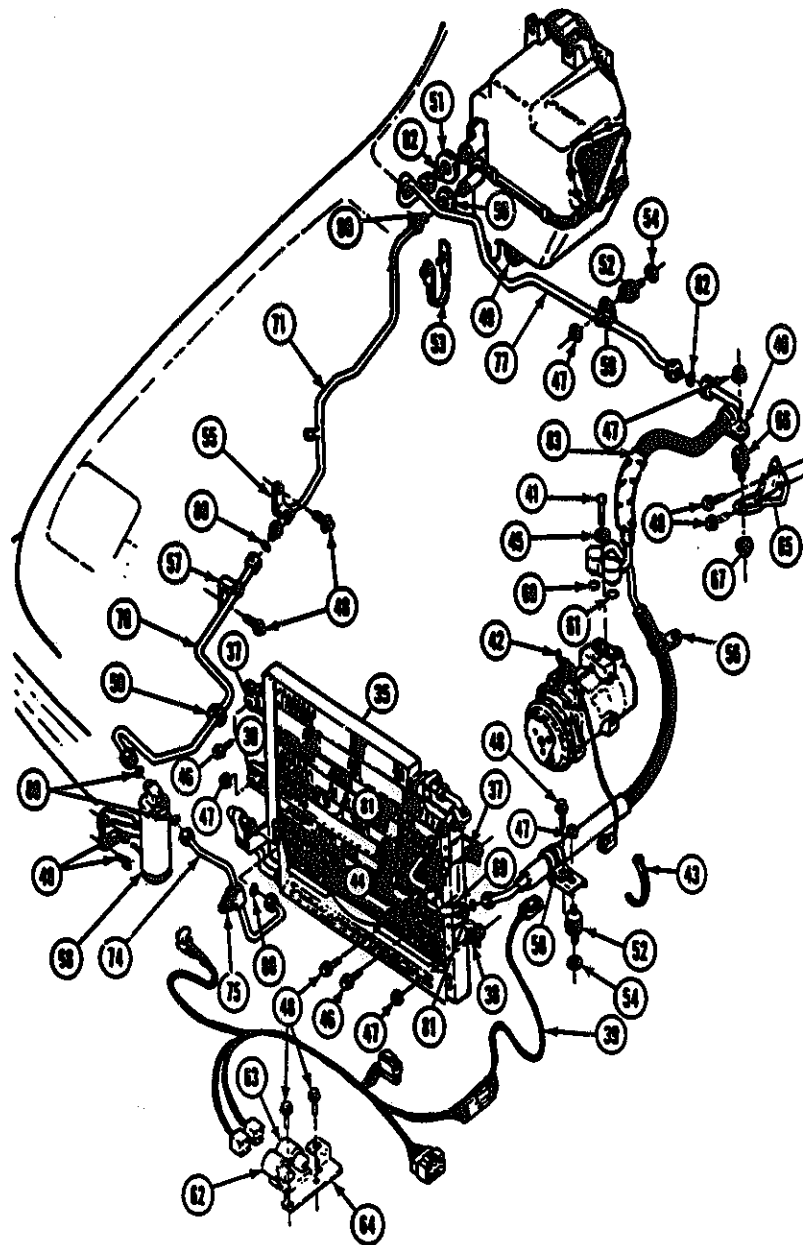


6132A-1 CONDENSER PACKAGE



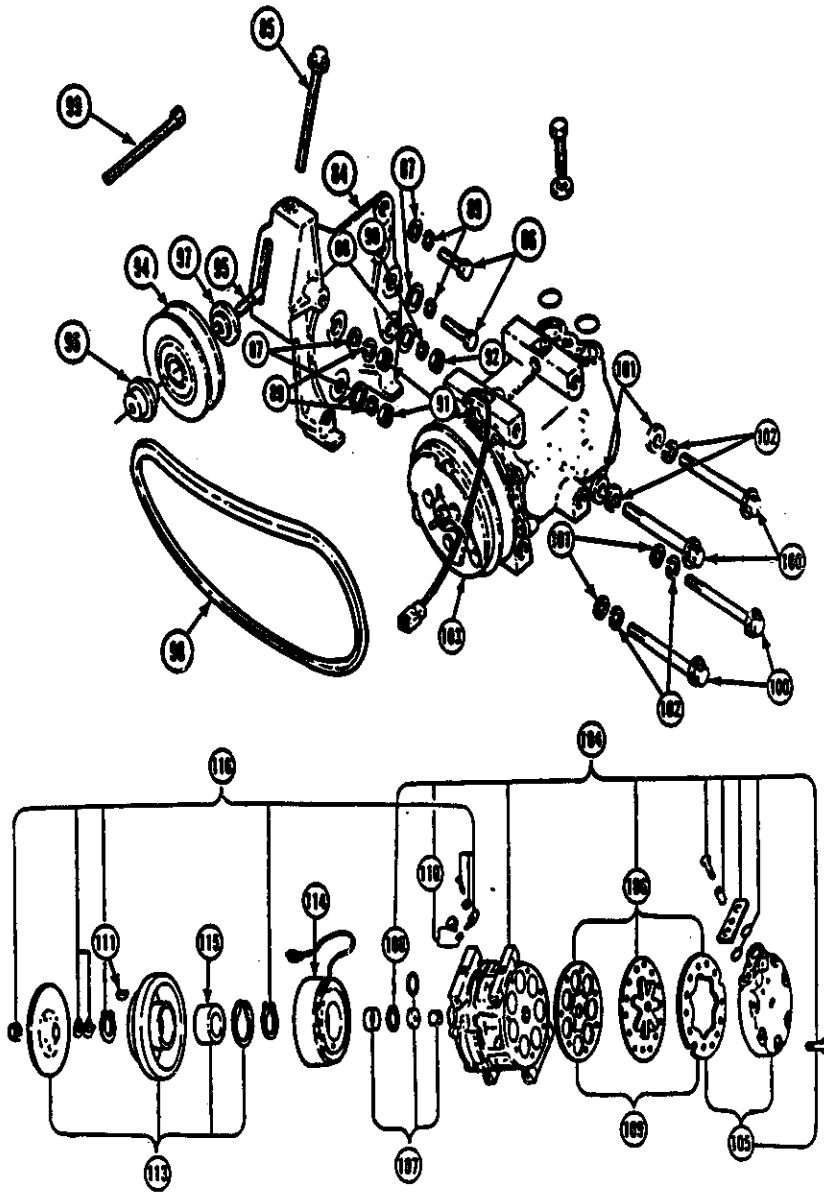
ITEM NO.	D-CODE	DESCRIPTION	PART NO.	QTY	MODEL/DESCRIPTION	REMARKS
35		REFER TO ACC. BULL. NO. XA-1 FOR A/C ACC. INFO. CONDENSER ASSEMBLY	0000-67-A10A-6A	1		FC33* -860917
			< A > 0000-67-A00A-7A	1		FC33* 860918-
37		GROMMET	0000-67-A48A-6F	2		
38		BUSHING	0000-67-A49A-6F	2		
39		HARNES, WIRE	0000-67-B80A-6A	1		
40		CLIP	0000-67-A43A-6A	1		
41		BOLT	0000-67-X10M-25	1		
42		TY-RAP	0000-67-1410-27	1		
43			0000-67-X60A-00	6		
44		CLIP	0000-67-A42A-6A	1	USE W/ 0000-67-A10A-6A	
45		WASHER	0000-67-1983-82	1		
46		BOLT	0000-67-X40M-36	2		
47		NUT	0000-67-X20M-00	5		
48		BOLT	0000-67-X40M-35	10		
49		GROMMET	0000-67-B01A-6A	1	'87 TURBO	
50			0000-67-A44A-6F	2		
51		L-GROMMET	0000-67-A43A-6F	1		
52		INSULATOR, RUBBER	0000-67-A57B-6P	2		
53		CLIP	0000-67-B54A-6A	1		
54		WASHER	0000-67-X40M-25	2		
55		CLIP	0000-67-A45A-6A	1		
56			0000-67-A41A-6A	1		
57			0000-67-A40A-6A	1		
58			0000-67-A44A-6A	1		
59			0000-67-A28A-6A	1		
60		O-RING	0000-67-0123-38	1		
61			0000-67-0123-39	1		
62		RELAY	0000-67-B46A-6A	1		
63			0000-67-B48A-6A	1		
64		BRACKET	0000-67-A29A-6A	1		
65			0000-67-A27A-6A	1		
66		INSULATOR, RUBBER	0000-67-A57B-6P	1		
67		NUT	0000-67-X20M-02	1		
68		RECEIVER/DRIER	0000-67-A90A-6A	1		
69		PIPE NO. 2	0000-67-E414-6A	1	USE W/ 0000-67-A10A-6A	
70		PIPE NO. 4	0000-67-E21A-6A	1	'86	
			0000-67-E24A-6A	1	'87 TURBO	
71		PIPE NO. 5	0000-67-E22A-6A	1	'86	

6132A-2 CONDENSER PACKAGE



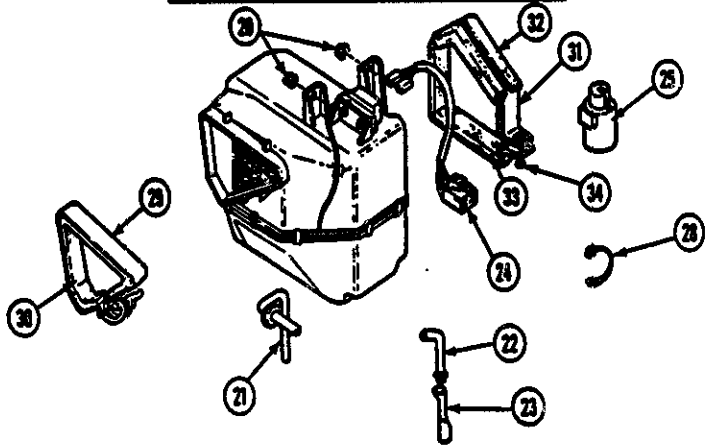
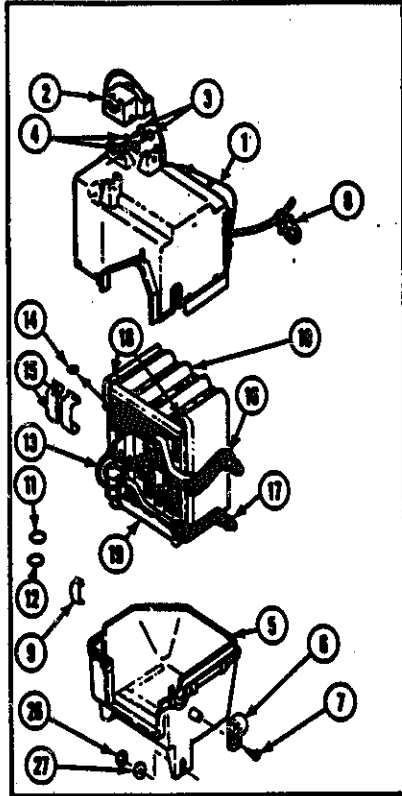
ITEM NO.	D-CODE	DESCRIPTION	PART NO.	QTY	MODEL/DESCRIPTION	REMARKS
	61 031 (CONT'D)		0000-67-E25B-6A	1	'87 TURBO	
74		VALVE, SCHRAEDER	0000-67-E01A-7F	1		
75		PIPE NO. 6	0000-67-E20A-6A	1		
		SWITCH	0000-67-A92A-3B	1		
		O-RING	0000-67-0508-43	1		
77		PIPE, COOLER NO. 7	0000-67-E23A-6A	1		
			0000-67-E21A-7A	1	'87 SI ABS	
80			0000-67-E26A-6A	1	'87 TURBO	
		O-RING	0000-67-0123-17	5		
81			0000-67-0123-18	2		
82			0000-67-0123-19	2		
83		HOSE ASSEMBLY, FLEXIBLE	0000-67-E10A-6A	1		

**6142A-1 COMPRESSOR MOUNTING KIT,
COMPRESSOR/CLUTCH ASSEMBLY & REPAIR PARTS**



ITEM NO.	D-CODE	DESCRIPTION	PART NO.	QTY	MODEL/DESCRIPTION	REMARKS
		REFER TO ACC. BULL. NO. XA-1 FOR A/C ACC. INFO.				
84		BRACKET, COMPRESSOR	0000-67-C10A-6A	1		
85		BOLT, ADJUSTING	0000-67-X10M-30	1		
86		BOLT	0000-67-5715-75	2		
87		WASHER	0000-67-1983-82	4		
88			0000-67-X40A-02	1		
89			9997-11-0000	4		
90			0000-67-X40A-01	1		
91		NUT	0000-67-1983-77	2		
92			0000-67-1983-76	1		
84		BRACKET, COMPRESSOR	0000-67-C10A-6A	1		
94		PULLEY, IDLER	0000-67-C42A-6A	1		
95		SHAFT, IDLER PULLEY	0000-67-C41A-6A	1		
96		NUT	0000-67-C44A-3F	1		
97		SPACER	0000-67-C43A-3F	1		
98		BELT	0000-67-C31A-6A	1		
99		BOLT	0000-67-X10M-34	1		
100			0000-67-X10M-48	4		
101		WASHER	0000-67-X40M-09	4		
102			0000-67-X40M-15	4		
103		COMPRESSOR/CLUTCH ASSEMBLY	0000-67-D10A-6A	1		
104		COMPRESSOR	0000-67-D00A-6A	1		
105		HEAD, CYLINDER	0000-67-D56A-6A	1	W/ GASKET	
106		VALVE PLATE ASSEMBLY	0000-67-D51A-6A	1		
107		SEAL KIT & FELT RING	0000-67-D12A-6A	1		
108		RING, SNAP	0000-67-D60A-6A	1		
109		GASKET KIT	0000-67-D13A-6A	1		
110		PLUG	0000-67-D61A-6A	1	W/O RING	
111		KEY, SHAFT	0000-67-D11A-6A	1		
		CLUTCH ASSEMBLY	0000-67-D20A-6A	1		
113		PLATE & ROTOR, FRONT	0000-67-D22A-6A	1		
114		COIL, FIELD	0000-67-D24A-6A	1		
115		BEARING	0000-67-D23A-6A	1		
116		ACCESSORY KIT	0000-67-D21A-6A	1		

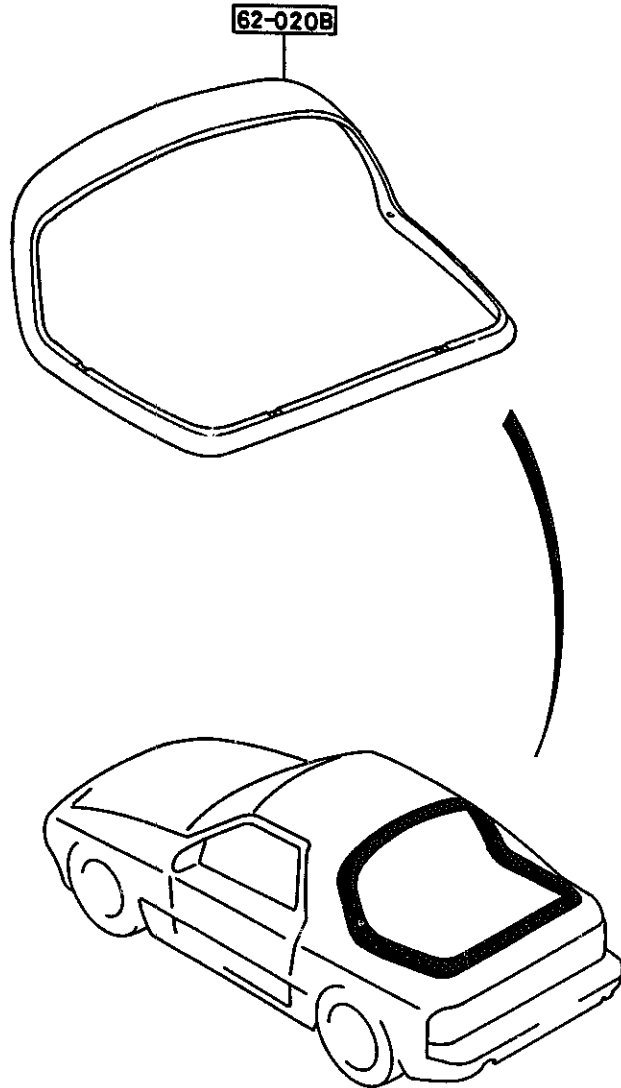
6152A-1 EVAPORATOR PACKAGE



ITEM NO.	D-CODE	DESCRIPTION	PART NO.	QTY	MODEL/DESCRIPTION	REMARKS
		REFER TO ACC. BULL. NO. XA-1 FOR A/C ACC. INFO.				
1		CASE, TOP	0000-67-811A-6A	1	W/ INSULATOR	
2		THERMOSTAT	0000-67-B93A-6F	1		
3		BOLT	0000-67-X10M-36	2		
4		WASHER	0000-67-X40M-30	2		
5		CABINET, BOTTOM	0000-67-B21A-6A	1	W/ INSULATION	
6		CLIP	0000-67-B51A-6A	1		
7		SCREW	0000-67-X30B-03	1		
8		RETAINER, T-STAT	0000-67-B56A-6F	1		
9		CLIP	0000-67-B46A-3B	1		
10		COIL, EVAPORATOR	0000-67-830A-6A	1		
11		O-RING	0000-67-0123-18	1		
12			0000-67-0123-19	1		
13		VALVE, EXPANSION	0000-67-B40B-6A	1		
14		O-RING	0000-67-0123-21	1		
15		CLAMP	0000-67-B44A-3B	2		
16		TAPE, PRESTITE	0000-67-B16A-8F	1		
17		TUBE, EXTENSION	0000-67-B38A-6A	1		
18		TAPE, INSULATION	0000-67-B28A-6F	2		
19			0000-67-B52A-6A	2		
20		NUT	0000-67-X20M-00	2		
21		HOSE, DRAIN	0000-67-B39A-6A	1		
22			0000-67-803A-6A	1		
23		PIPE, COOLER	0000-67-804A-6A	1		
24		HARNES, WIRE	0000-67-881A-6A	1		
25		RELAY	0000-67-B46A-6A	1		
26		NUT	0000-67-0411-12	1		
27		WASHER	0000-67-X40M-02	1		
28		TY-RAP	0000-67-X60A-00	1		
29		PLATE NO. 2, SEAL	0000-67-B13A-6A	1		
30		TAPE, FOAM	0000-67-B41A-6A	1		
31		PLATE NO. 1, SEAL	0000-67-B14A-6A	1		
32		TAPE, FOAM	0000-67-B41A-6A	1		
33			0000-67-X40A-?2	1		
34		SCREW	9983-00-525	1		

6200-1

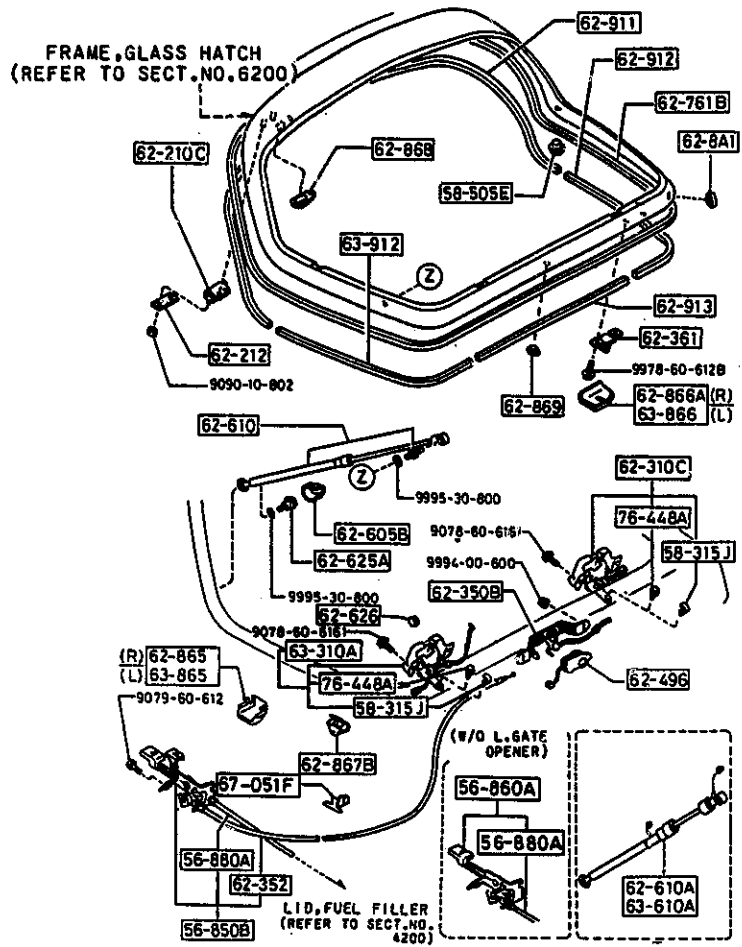
LIFT GATE



ITEM NO.	D-CODE	DESCRIPTION	PART NO.	QTY	MODEL/DESCRIPTION	REMARKS
	62 020B	FRAME, GLASS HATCH	FB01-62-020E	1	W/O RR. WIPER	
			FB02-62-020E	1	W/ RR. WIPER	

6230-1

LIFT GATE MECHANISMS
(COUPE)

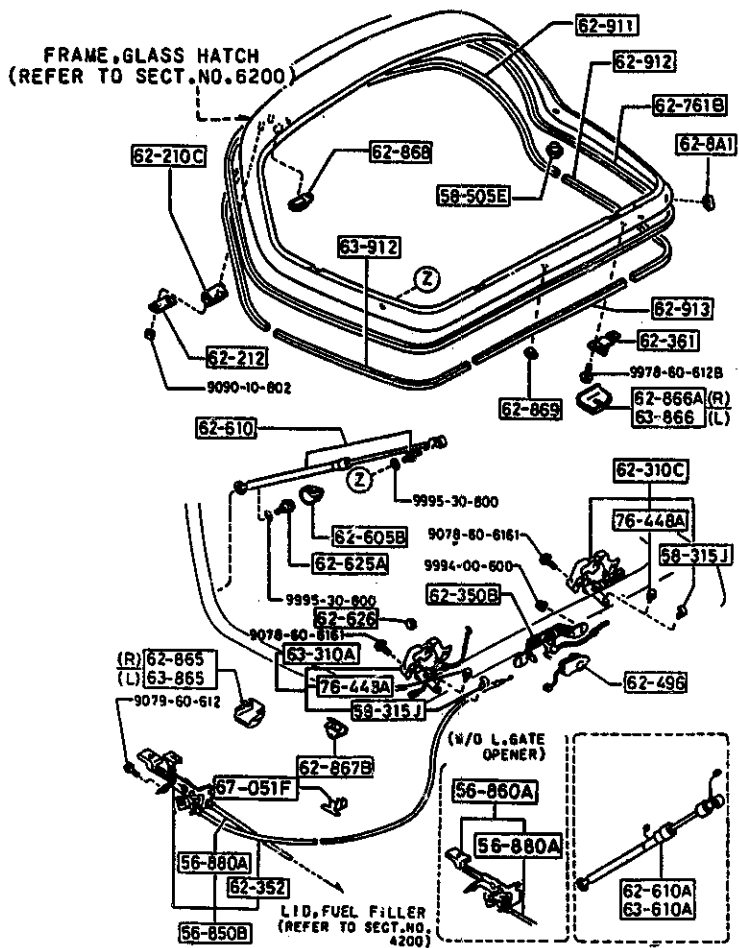


D-CODE	SPECIFICATIONS		PART NO OF STAY DAMPER		FROM-TO
	REAR WIPER	CARGO DOOR LAMP	RIGHT SIDE	LEFT SIDE	
62-610(O) 62-610(L)	-	-	8BF1-62-620 8BF1-62-620A	8BF1-62-620 8BF1-62-620A	-7701 7701-
62-610(O) 62-610(L)	-	x	8BF2-62-620 8BF2-62-620A	8BF1-62-620 8BF1-62-620A	-7701 7701-
62-610A(O) 63-610A(L)	x	-	8BF4-62-620 8BF4-62-620A	8BF2-63-620 8BF2-63-620A	-7701 7701-
62-610A(O) 63-610A(L)	x	x	8BF3-62-620 8BF3-62-620A	8BF2-63-620 8BF2-63-620A	-7707 7707-

ITEM NO.	D-CODE	DESCRIPTION	PART NO.	QTY	MODEL/DESCRIPTION	REMARKS
56 850B		OPENER, L/GATE & F/LID	FB01-56-850B	1		-5901
			FB02-56-850E	1		5901-
56 860A		LEVER, OPENER	G031-56-860A	1	W/O L/GATE OPENER	
56 880A		CABLE, F/LID OPENER	FB01-56-870B	1		
58 315J		CLIP	H001-58-315	2	COUPE	
58 505E		CAP	8092-58-355	1		-5801
				2	COUPE	5801-
62 210C		HINGE, GLASS HATCH	FB01-62-210A	2	COUPE	
62 212		GASKET, HINGE-LIFT GATE	FB01-62-212	2	COUPE	
62 310C		LOCK (R), GLASS HATCH	FB01-62-310D	1		
62 350B		UNIT, OPENER-GLASS HATCH	FB01-62-350D	1		
62 352		CABLE, OPENER	FB67-56-930D	1	CONV.	
			FB01-56-880B	1		
62 361		STRIKER, LOCK	FB01-62-361B	2		
62 496		SWITCH, LOCK CYLINDER	FB02-62-496A	1	W/ BURGLAR ALARM	
62 605B		COVER, DAMPER STAY	FB01-62-615	2		
62 610		STAY, DAMPER	8BF1-62-620	2	W/O RR. WIPER	-7701
			8BF1-62-620B	2	W/O RR. WIPER	7701-
62 610A		STAY (R), DAMPER	8BF2-62-620	1	W/O RR. WIPER	7701-
			8BF2-62-620A	1	W/O RR. WIPER	7701-
			8BF3-62-620	1	W/ RR. WIPER	-7701
			8BF3-62-620A	1	W/ RR. WIPER	7701-
			8BF4-62-620	1	W/O 3RD BRAKE LIGHT	-7701
			8BF4-62-620A	1	W/O 3RD BRAKE LIGHT	7701-
62 625A		BOLT, BRACKET-STAY DAMPER	FB01-62-625	2		
62 626		PLUG, HOLE-LAMP & WIPER HARNESS	FB01-62-626	2		
62 761B		WEATHERSTRIP, GLASS HATCH	FB01-62-761B	1		-7601
			FB01-62-761C	1	< AN >	7601-
62 865		COVER 'A' (R), FRAME-GLASS HATCH	FB01-62-865A	1		
62 866A		COVER 'B' (R), FRAME-GLASS HATCH	FB01-62-866B	1		
62 867B		COVER, BRACKET-DAMPER STAY	FB01-62-867A	2		
62 868		PLUG, HOLE-HATCH FRAME-UPPER	FB01-62-868	2		
62 869		PLUG, HOLE-HATCH FRAME-LOWER	FB01-62-869	1		

5901 FC33* -102044
 5801 FC33* -113629
 7601 FC33* -550168
 7701 FC33* -550169

6230-2 LIFT GATE MECHANISMS (COUPE)

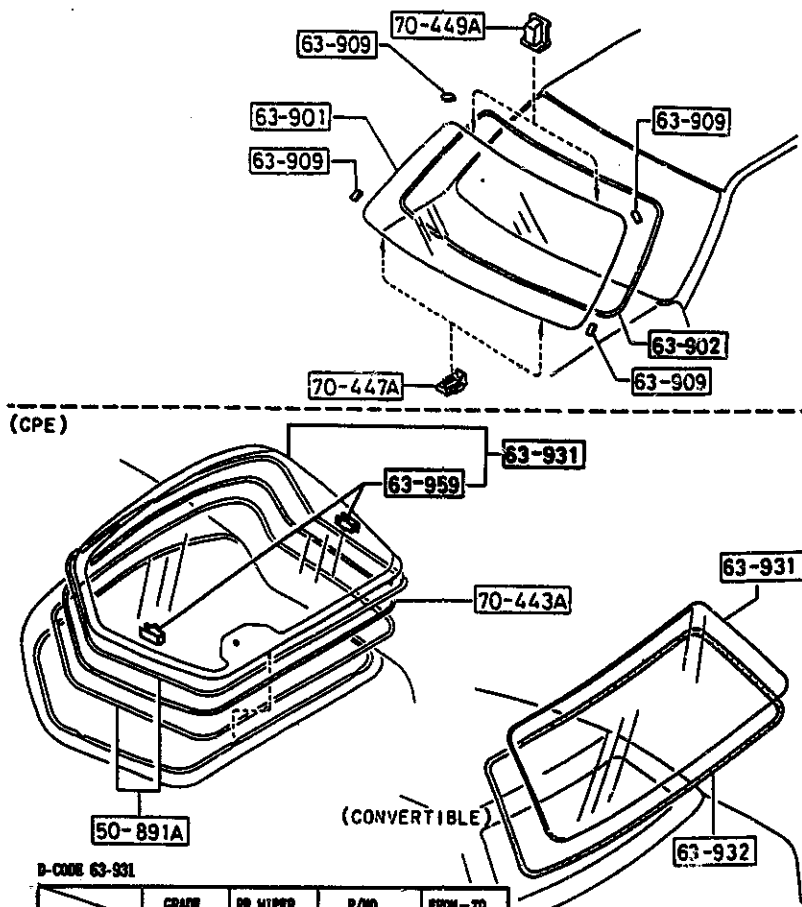


D-CODE	SPECIFICATIONS		PART NO OF STAY DAMPER		FROM - TO
	REAR WIPER	CARGO ROOM LAMP	RIGHT SIDE	LEFT SIDE	
62-610(O) 62-610(L)	-	-	8BF1-62-620 8BF1-62-620A	8BF1-62-620 8BF1-62-620A	- 7701 7701-
62-610(O) 62-610(L)	-	x	8BF2-62-620 8BF2-62-620A	8BF1-62-620 8BF1-62-620A	- 7701 7701-
62-610(O) 63-610(L)	x	-	8BF4-62-620 8BF4-62-620A	8BF2-63-620 8BF2-63-620A	- 7701 7701-
62-610(O) 63-610(L)	x	x	8BF3-62-620 8BF3-62-620A	8BF2-63-620 8BF2-63-620A	- 7701 7701-

ITEM NO.	D-CODE	DESCRIPTION	PART NO.	QTY	MODEL/DESCRIPTION	REMARKS
62 8A1		PLUG, HOLE-HATCH FRAME-LOWER	FB01-62-8A1A	2		
62 911		WELT, SEAMING-GLASS HATCH-UPPER	FB01-62-911C	1		
62 912		WELT (R), SEAMING-GLASS HATCH	FB01-62-912B	1		
62 913		WELT, SEAMING-GLASS HATCH-LWR.	FB01-62-913C	1	W/O RR. WIPER	
			FB02-62-913B	1	W/ RR. WIPER	
63 310A		LOCK (L), GLASS HATCH	FB01-63-310E	1		
63 610A		STAY (L), DAMPER	8BF2-63-620	1	W/ WIPER HARNESS	-7701
			8BF2-63-620B	1	W/ WIPER HARNESS	7701.
63 865		COVER 'A' (L), FRAME-GLASS HATCH	FB01-63-865A	1		
63 866		COVER 'B' (L), FRAME-GLASS HATCH	FB01-63-866B	1		
63 912		WELT (L), SEAMING-GLASS HATCH	FB01-63-912C	1	W/O RR. WIPER	
			FB02-63-912B	1	W/ RR. WIPER	
67 051F		CLIP	FB01-67-051	1		
76 448A		CLIP	G030-76-448	2		

7701 FC33* -550169

6300A-1 WINDOW GLASSES



D-CODE 63-931

	GRADE	RR WIPER	P/NO.	FROM - TO
COUPE	CAN-CX SPORT-PKG USA-3B USA-6TU STD	-	FR03-63-931B	-5901
			FR01-63-931D	5901-6116
			FR01-63-931E	6116-7701
			FR01-63-930	7701-
	CXL TURBO	x	FR04-63-931B	-5901
			FR02-63-931D	5901-6116
			FR02-63-931E	6116-7701
			FR02-63-930	7701-
10TH-ANNIV	x	FR07-63-930	-	
CONVERTIBLE	-	x	FR67-63-931A	-

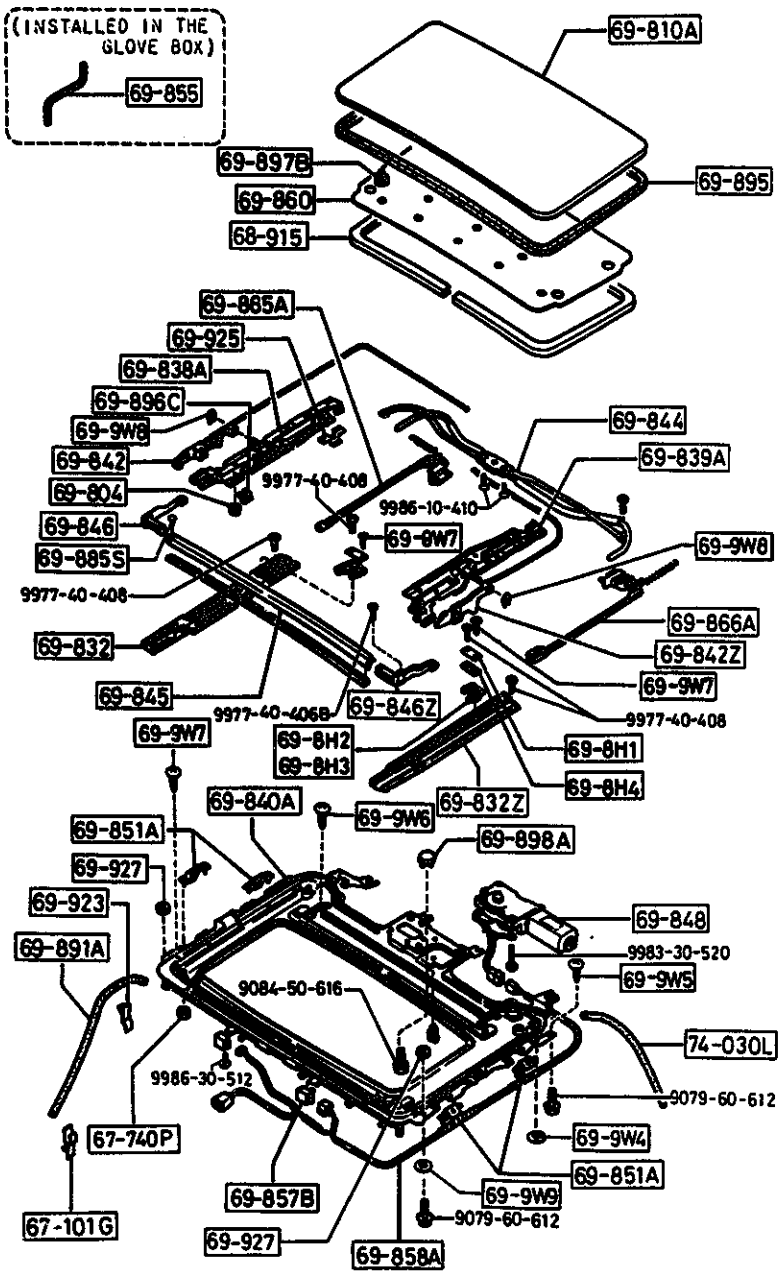
ITEM NO.	D-CODE	DESCRIPTION	PART NO.	QTY	MODEL/DESCRIPTION	REMARKS
50 891A		SPACER, WINDOW	FB01-50-891	2	COUPE	
63 901		GLASS, WINDSHIELD	FB02-63-901E		BLUE, W/O SUNSHIELD, W/ RADIO ANTENNA COUPE	
			FB01-63-901C		BLUE, W/O SUNSHIELD, W/O RADIO ANTENNA COUPE	
			FB03-63-901E		BLUE, W/ SUNSHIELD, W/ RADIO ANTENNA TURBO, CONV.	
63 902		DAM, FR. WINDSHIELD GLASS	FB01-50-895A	1		
63 909		SPACER	8182-63-903	2		5822-5A01
				4		5A01-
63 931		GLASS, BACK WINDOW	FB67-63-931A	1	CONV.	
			FB01-63-931E	1	W/O RR. WIPER COUPE	
			FB02-63-931E	1	W/ RR. WIPER COUPE	
63 932		WEATHERSTRIP, RR. WINDOW	FB67-63-932B	1	CONV.	
70 443A		DAM, RR. WINDOW GLASS	FB01-50-896	1	COUPE	
70 447A		SPACER 'A'	FB01-50-893	2		
70 449A		SPACER 'C'	FB01-50-897	2		

5822 FC33* -100361
5A01 FC33* -107570

SECTION INDEX -- BODY

STARTING LOCATION	SECT. NO.	SECTION NAME	STARTING LOCATION	SECT. NO.	SECTION NAME	STARTING LOCATION	SECT. NO.	SECTION NAME
2 - C 3	0900A	KEY SETS	2 - L 6	5530	SPEEDOMETER CABLE	2 - C15	6330	SUNROOF (COUPE)
2 - E 3	5000	FRONT BUMPER	2 - M 6	5540	METER COMPONENTS (COUPE) (W/O ANTI-LOCK BRAKE SYSTEM)	2 - E15	6330A	SOFT TOP (CONVERTIBLE)
2 - F 3	5005	RADIATOR GRILLE	2 - C 7	5540A	METER COMPONENTS (COUPE) (ANTI-LOCK BRAKE SYSTEM)	2 - G15	6600B	SWITCHES & RELAYS (ENGINE) (W/O TURBO)
2 - G 3	5010A	REAR BUMPER	2 - E 7	5540B	METER COMPONENTS (CONVERTIBLE)	2 - J15	6600BA	SWITCHES & RELAYS (ENGINE) (TURBO)
2 - H 3	5030A	WINDOW MOULDINGS	2 - F 7	5560	DASHBOARD & RELATED PARTS	2 - M15	6610	DASHBOARD SWITCHES (MANUAL OPERATING)
2 - I 3	5040A	BODY MOULDINGS	2 - I 7	5570	CONSOLE	2 - N15	6611	COMBINATION SWITCH
2 - J 3	5060A	SIDE PROTECTORS	2 - K 7	5580	VENTILATOR			
2 - K 3	5100	HEAD LAMPS	2 - C 8	5700A	FRONT SEATS (COUPE)	2 - C16	6612	CLUSTER SWITCH
2 - L 3	5103	HEAD LAMP RETRACTORS	2 - C 9	5700AA	FRONT SEATS (COUPE) (LEATHER)	2 - D16	6615	POWER WINDOW SWITCHES
2 - M 3	5105	FRONT COMBINATION LAMPS	2 - C10	5700AB	FRONT SEATS (CONVERTIBLE) (CLOTH)	2 - E16	6620	DOOR SWITCH
2 - C 4	5110A	REAR COMBINATION LAMPS	2 - F10	5700AC	FRONT SEATS (CONVERTIBLE) (LEATHER)	2 - F16	6630	RELAYS & CPU (BODY)
2 - E 4	5120	LICENSE LAMPS	2 - J10	5750A	REAR SEATS (CLOTH)	2 - G16	6635	HORNS
2 - F 4	5125	INTERIOR LAMPS	2 - C11	5750AA	REAR SEATS (LEATHER)	2 - H16	6640	AUTO CRUISE CONTROL SYSTEM
2 - G 4	5130	OVERHEAD CONSOLE (COUPE)	2 - H11	5790A	SEAT BELTS	2 - I16	6680	AUDIO SYSTEMS (RADIO & TAPE DECK)
2 - H 4	5170	ORNAMENTS	2 - J11	5800A	FRONT DOORS (COUPE)			
2 - I 4	5180	COWL & EXTRACTOR GILLES	2 - K11	5800AA	FRONT DOORS (CONVERTIBLE)			
2 - K 4	5230	HOOD	2 - C12	5830A	FRONT DOOR MECHANISMS (COUPE)			
2 - L 4	5260	TRUNK LID (CONVERTIBLE)	2 - H12	5830AA	FRONT DOOR MECHANISMS (CONVERTIBLE)			
2 - M 4	5310	BODY PANELS (FRONT) (COUPE)	2 - C13	5840A	FRONT DOOR TRIMS & RELATED PARTS (COUPE)			
2 - N 4	5310A	BODY PANELS (FRONT) (CONVERTIBLE)	2 - K13	5840AB	FRONT DOOR TRIMS & RELATED PARTS (CONVERTIBLE)			
2 - C 5	5320	BODY PANELS (FENDER & WHEEL APRON) (COUPE)	2 - N13	6100	HEATER			
2 - D 5	5320B	BODY PANELS (FENDER & WHEEL APRON) (CONVERTIBLE)	2 - C14	6110	HEATER UNIT COMPONENTS			
2 - E 5	5330	BODY PANELS (DASH & COWL PANEL)	2 - D14	6115	HEATER CONTROLS COMPONENTS			
2 - F 5	5340A	BODY PANELS (SIDE) (COUPE)	2 - E14	6120	HEATER BLOWER COMPONENTS			
2 - H 5	5340AA	BODY PANELS (SIDE) (CONVERTIBLE)	2 - F14	6130	AIR CONDITIONER (W/O AIR CONDITIONER)			
2 - K 5	5360A	BODY PANELS (ROOF) (COUPE)	2 - G14	6132A	CONDENSER PACKAGE			
2 - L 5	5370	BODY PANELS (FLOOR) (COUPE)	2 - I14	6142A	COMPRESSOR MOUNTING KIT, COMPRESSOR/CLUTCH ASSEMBLY & REPAIR PARTS			
2 - M 5	5370A	BODY PANELS (FLOOR) (CONVERTIBLE)	2 - J14	6152A	EVAPORATOR PACKAGE			
2 - C 6	5390	FLOOR ATTACHMENTS (COUPE)	2 - K14	6200	LIFT GATE			
2 - E 6	5390A	FLOOR ATTACHMENTS (CONVERTIBLE)	2 - L14	6230	LIFT GATE MECHANISMS (COUPE)			
2 - G 6	5500	DASHBOARD EQUIPMENTS (COUPE) (W/O ANTI-LOCK BRAKE SYSTEM)	2 - N14	6300A	WINDOW GLASSES			
2 - I 6	5500A	DASHBOARD EQUIPMENTS (COUPE) (ANTI-LOCK BRAKE SYSTEM)						
2 - J 6	5500B	DASHBOARD EQUIPMENTS (CONVERTIBLE)						
2 - K 6	5520	METER HOOD						

6330-1 SUNROOF (COUPE)

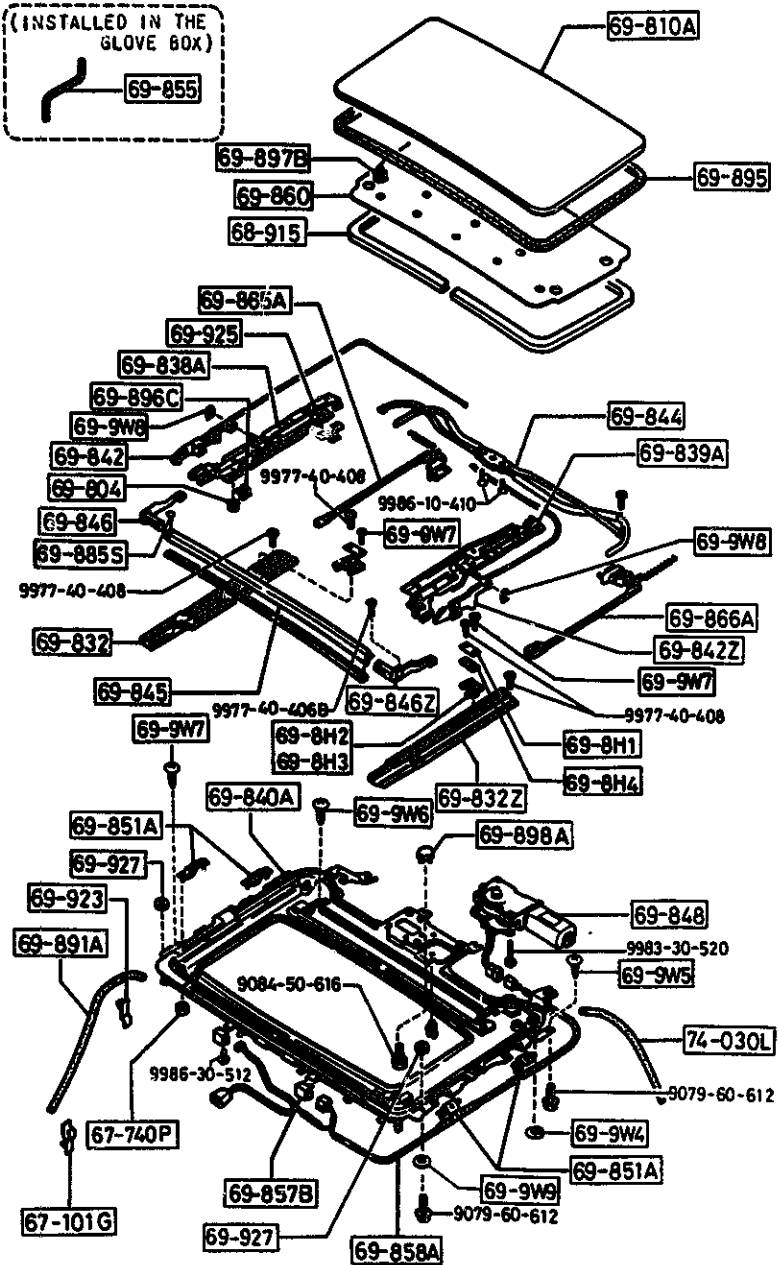


ITEM NO.	D-CODE	DESCRIPTION	PART NO.	QTY	MODEL/DESCRIPTION	REMARKS
67 101G		CLIP, DRAIN HOSE-FRONT	FB01-67-101	4		-5903
67 740P		RELAY, SUNROOF	FB03-69-928	4		5903-
68 915		WELT, SEAMING	FB03-69-873	1		6901-
		DARK GRAY	07			
		RED	10			
		BLUE	48			
69 804		NUT, PANEL-SUNROOF	FB03-69-804	6		-6601
69 810A		PANEL, SUNROOF	FB03-69-810H	1		
69 832		RAIL (R), GUIDE	FB03-69-832A	1		
69 832Z		RAIL (L), GUIDE	FB03-69-833A	1		
69 838A		PANEL (R), LOWER	FB03-69-838C	1		
69 839A		PANEL (L), LOWER	FB03-69-839C	1		
69 840A		FRAME, SLIDING SUNROOF ROOF	FB03-69-831J	1		
69 842		GUIDE (R), REAR	FB03-69-842A	1		
69 842Z		GUIDE (L), REAR	FB03-69-843A	1		
69 844		BRACKET, DRIVE UNIT	FB03-69-844A	1		
69 845		DEFLECTOR	FB03-69-845	1		
69 846		LINK (R), DEFLECTOR	FB03-69-846B	1		
69 846Z		LINK (L), DEFLECTOR	FB03-69-847B	1		
69 848		MOTOR, SUNROOF	FB03-69-848A	1		
69 851A		BRACKET, SET-SUNROOF FRAME	FB03-69-849	4		
69 855		HANDLE, SUNROOF	FB03-69-982	1		
69 857B		RELAY, SUNROOF	FB03-69-857	1		-6901
			FB03-69-857A	1		6901-
69 858A		HARNES, SUNROOF	FB03-69-858	1		
69 860		TRIM, SUNROOF	FB03-69-860C	1		
		DARK GRAY	07			
		RED	10			
		BLUE	48			
69 865A		SHUTTING (R), SUNROOF	FB03-69-865	1		
69 866A		SHUTTING (L), SLIDING ROOF	FB03-69-866	1		
69 885S		CLIP, DEFLECTOR LINK	FB03-69-885	2		
69 891A		HOSE, DRAIN-SUNROOF FRONT	FB03-69-891A	2		
69 895		WEATHERSTRIP, SUNROOF	FB03-69-895B	1		
69 896C		SHIM, LOWER PANEL FRONT	FB03-69-896A	2		-5801
				6		5801-
69 897B		FASTENER, TRIM-SUNROOF	FB03-69-897	8		
69 898A		COVER, MOTOR-SUNROOF	FB03-69-898	1		
		DARK GRAY	07			
		RED	10			

5903 FC33* -102271
 5801 FC33* -113629
 6601 FC33* -152302
 6901 FC33* -512255

6330-2 SUNROOF (COUPE)

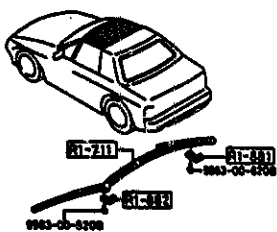
(INSTALLED IN THE GLOVE BOX)



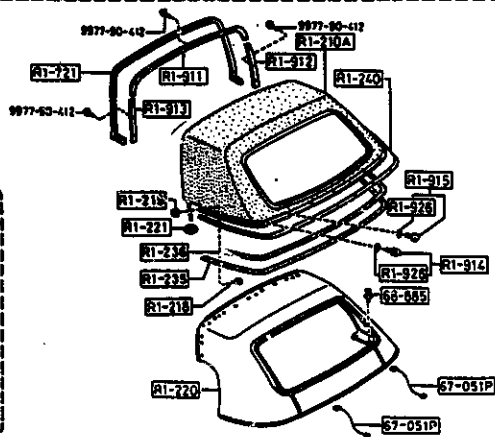
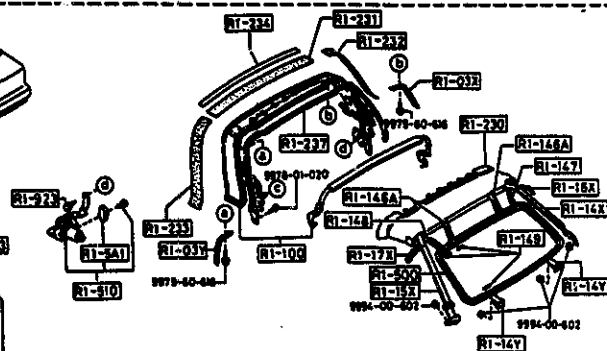
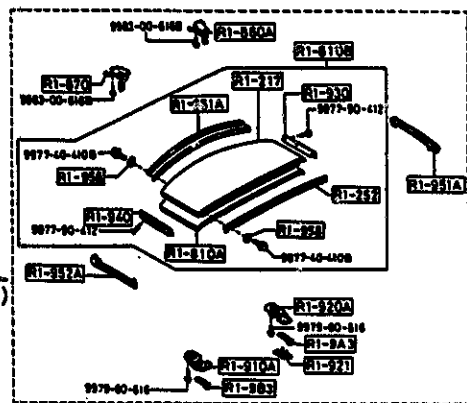
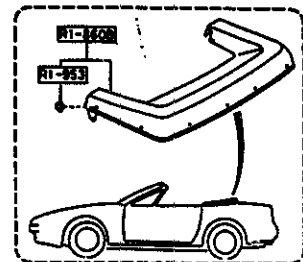
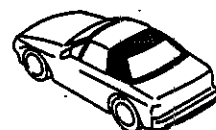
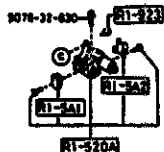
ITEM NO.	D-CODE	DESCRIPTION	PART NO.	QTY	MODEL/DESCRIPTION	REMARKS
69 898A (CONT'D)		BLUE	48			
69 923		CLIP, DRAIN HOSE-SUNROOF	FB03-69-923	2		
69 925		SHIM, LOWER PANEL-REAR	FB03-69-925A	2		5A01-5B01
				4		5B01-
69 927		NUT, ADJUST-SUNROOF FRAME	FB03-69-927	4		
69 9W4		RING 'A', SNAP-LOWER UNIT	FB03-69-9W4	4		6901-
69 9W5		SCREW, TAPPING-LOWER UNIT	FB03-69-9W5	2		6901-
69 9W6		SCREW 'A' LOWER UNIT-SUNROOF	FB03-69-9W6	4		6901-
69 9W7		SCREW 'B', LOWER UNIT-SUNROOF	FB03-69-9W7	4		6901-
69 9W8		RING 'B', SNAP-LOWER UNIT	FB03-69-9W8	2		6901-
69 9W9		WASHER, LOWER UNIT-SUNROOF	FB03-69-9W9	8		6901-
74 030L		HOSE, DRAIN-REAR	FB03-69-892A	2		

5A01 FC33* -107570
 5B01 FC33* -113629
 6901 FC33* -512255

**6330A-1 SOFT TOP
(CONVERTIBLE)**

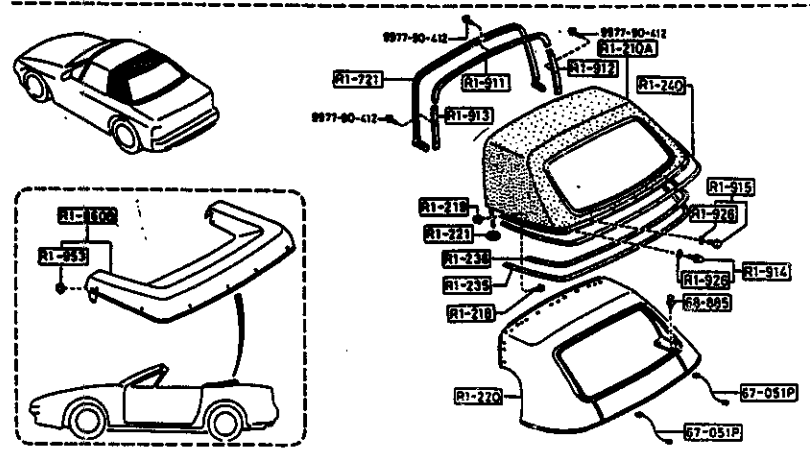
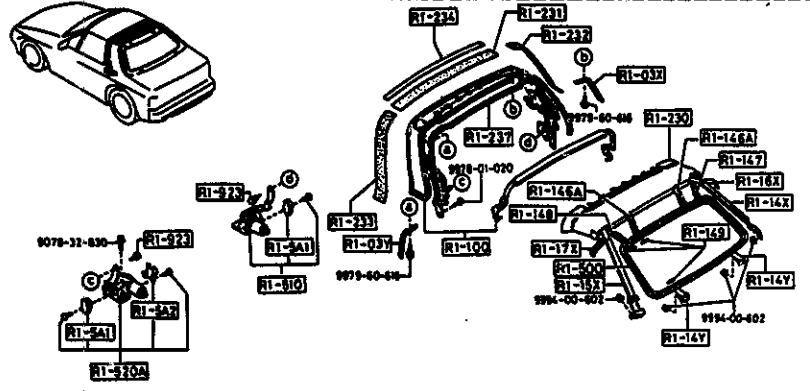
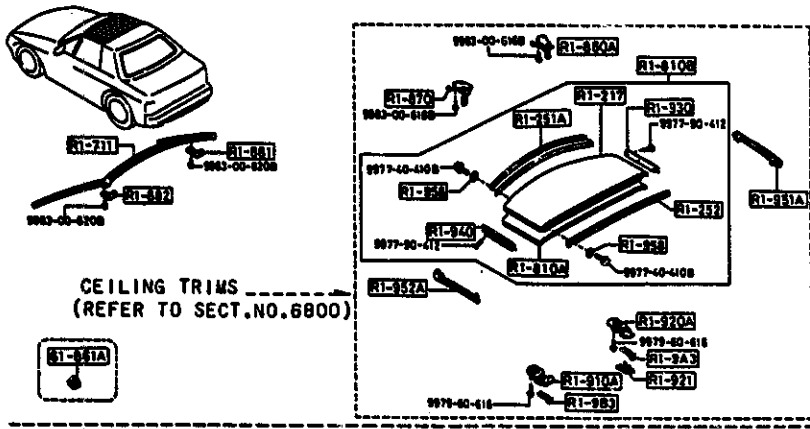


CEILING TRIMS
(REFER TO SECT.NO.6800)



ITEM NO.	D-CODE	DESCRIPTION	PART NO.	QTY	MODEL/DESCRIPTION	REMARKS
61	861A	GROMMET	SA94-61-861	2		
68	885	FASTENER	UB54-68-885	17		
		BLACK	00			
		DARK GRAY	07			
		BLUE	48			
R1	01Y	BAR (FRT.), FORMING-SOFT TOP	FB67-R1-01YC	1		
R1	110A	BAR (RR.), FORMING-SOFT TOP	FB67-R1-110A	1		
R1	210A	HOOD, OUTER SOFT TOP	FC23-R1-210	1		
R1	217	CLOTH, ROOF PANEL	FB67-R1-217B	1		
R1	218	BOLT, HOOD OUTER	FB67-R1-218	2		
R1	219	NUT, HOOD OUTER	FB67-R1-219	2		
R1	220	CEILING, TOP-HOOD	FB67-R1-212A	1		
		DARK GRAY	07			
		BLUE	48			
R1	230	INSULATOR, TOP CEILING	FB67-R1-213	1		
R1	240	PLATE, SET-HOOD REAR	FB67-R1-214A	1		
R1	500	FRAME, BACK WINDOW	FB67-R1-421A	1		
R1	510	MOTOR (R), TOP	FB67-R1-510D	1		
R1	520A	MOTOR (L), TOP	FB67-R1-520B	1		
R1	711	WEATHERSTRIP, FRONT HEADER	FB67-R1-711A	1		
R1	721	WEATHERSTRIP, HOMING BAR-FRONT	FB67-R1-721E	1		
R1	810A	PANEL, ROOF-SOFT TOP	FB67-R1-810H	1		
R1	860A	LOCK (R), TOP	FB67-R1-860D	1		
R1	860B	BOOT, TOP	FB67-R1-960C	1		
		GRAY-RED	07			
		BLUE	48			
R1	870	LOCK (L), TOP	FB67-R1-870D	1		
R1	981	STRIKER (R), LOCK-TOP	FB67-R1-881C	1		
R1	982	STRIKER (L), LOCK-TOP	FB67-R1-882C	1		
R1	910A	LOCK (R), HINGE-TOP	FB67-R1-910C	1		
		DARK GRAY	07			
		BLUE	48			
R1	911	RETAINER (C), FORMING BAR	FB67-R1-911A	1		
R1	912	RETAINER (R), FORMING BAR	FB67-R1-912A	1		
R1	913	RETAINER (L), FORMING BAR	FB67-R1-913A	1		
R1	914	HOOK 'A', HOOD	FB67-R1-91YC	8		
R1	915	HOOK 'B', HOOD	FB67-R1-91ZC	5		
R1	920A	LOCK (L), HINGE-TOP	FB67-R1-920C	1		
		DARK GRAY	07			
		BLUE	48			
R1	921	COVER, KNOB-HINGE	FB67-R1-921A	1		

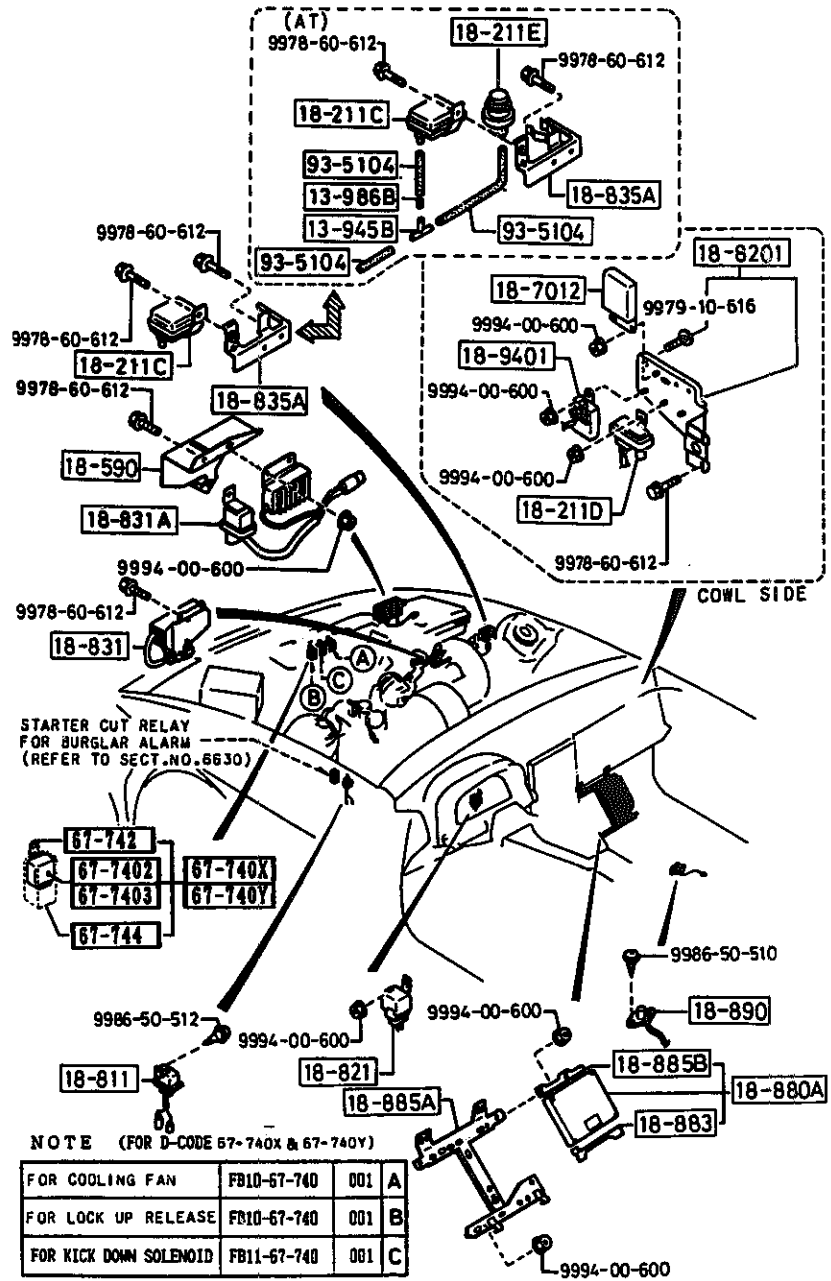
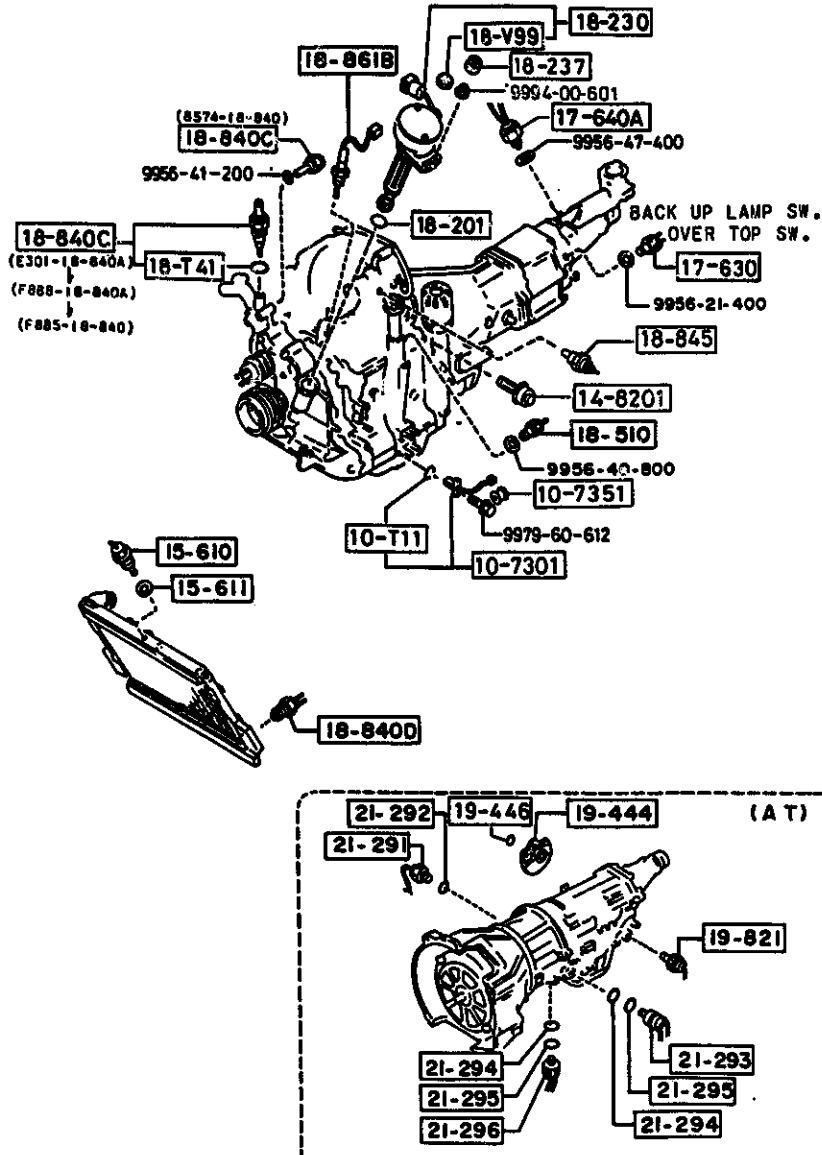
**6330A-2 SOFT TOP
(CONVERTIBLE)**



ITEM NO.	D-CODE	DESCRIPTION	PART NO.	QTY	MODEL/DESCRIPTION	REMARKS
R1 921		DARK GRAY	07			
(CONT'D)		BLUE	48			
R1 923		BOLT, JOINT-MOTOR LINK	FB67-R1-923	2		
R1 926		WASHER, HOOK-HOOD COVER	FB67-R1-926	13		
R1 930		RETAINER (R), ROOF PANEL	FB67-R1-930A	1		
R1 940		RETAINER (L), ROOF PANEL	FB67-R1-940A	1		
R1 951A		WEATHERSTRIP (R), ROOF PANEL	FC54-R1-951B	1		
R1 952A		WEATHERSTRIP (L), ROOF PANEL	FC54-R1-952B	1		

**6600B-1 SWITCHES & RELAYS (ENGINE)
(W/O TURBO)**

(THIS ILLUSTRATION CONSISTS OF 2 PAGES)



NOTE (FOR D-CODE 67-740X & 67-740Y)

FOR COOLING FAN	FB10-67-740	001	A
FOR LOCK UP RELEASE	FB10-67-740	001	B
FOR KICK DOWN SOLENOID	FB11-67-740	001	C

**6600B-2 SWITCHES & RELAYS (ENGINE)
(W/O TURBO)**

ITEM NO.	D-CODE	DESCRIPTION	PART NO.	QTY	MODEL/DESCRIPTION	REMARKS
	10 7301	SENSOR, OIL LEVEL	N326-10-470	1		
	10 7351	PROTECTOR	N231-10-735	1		
	10 T11	O-RING-OIL LEVEL SENSOR	N326-10-T11	1		
	13 945B	CONNECTOR	1700-13-945A	1	A/T	
	13 986B	ORIFICE	8931-13-986	1	D=0.5 BLACK	
	14 8201	GAUGE UNIT, OIL PRESSURE	N201-14-820	1		
	15 610	SENSOR, WATER LEVEL	8553-15-610B N326-15-610	1 1		-6620 6620-
	15 611	GASKET	8553-15-611	1		
	17 630	SWITCH	8130-17-640C	1	M/T	
	17 640A	SWITCH, NEUTRAL	M502-17-640A	1	M/T	
	18 211C	SENSOR, BOOST	N327-18-211	1		
	18 211D	SENSOR, BOOST	N326-18-211	1		
	18 211E	SWITCH, BOOST	N320-18-211	1	A/T	
	18 230	SENSOR, CRANK ANGLE	N326-18-230	1		
	18 237	CAP, CRANK ANGLE SENSOR	N326-18-237	1		
	18 510	UNIT, HEAT GAUGE	8569-18-510A	1		
	18 590	BRACKET, RESISTOR	N320-18-835	1		
	18 630	SWITCH, WATER THERMO	E301-18-840A	1	A/T	
	18 7012	UNIT, CONTROL	N327-18-780A	1	A/T	
	18 811	RELAY, MAIN	N326-18-811B	1		
	18 8201	BRACKET, CONTROL UNIT	N326-18-945C	1		
	18 821	RELAY, CIRCUIT OPEN	N326-18-821A	1		
	18 831	RESISTOR	HE21-18-831	1		-7601
	18 831A	RESISTOR, SOLENOID-FUEL PUMP	N319-18-831	1		
	18 835A	BRACKET	N319-18-835A N322-18-835A	1 1	A/T M/T	
	18 840C	SENSOR, WATER TEMPERATURE	8574-18-840	1		
	18 840D	SWITCH, WATER THERMO	FE85-18-840	1		
	18 845	SENSOR, AIR TEMPERATURE	N326-18-845	1		
	18 861B	SENSOR, OXYGEN	N326-18-861	1		
	18 880A	CONTROL UNIT, E.G.I. REFER TO SERV. BULL. NO. 049/88, CAT. 4 FOR MORE INFO.	N338-18-880R N3Y6-18-881R N327-18-881R	1 1 1	CONV. COUPE COUPE	 -7601 7601-
	18 883	BRACKET, CONTROL UNIT	N326-18-883	1		
	18 885A	BRACKET, CONTROL UNIT	N326-18-885 N326-18-885A	1 1		-7204 7204-
	18 885B	BRACKET, CONTROL UNIT	HE21-18-885A	1		
	18 890	SWITCH, THERMO	N326-18-890A	1		
	6620	FC33*	-156850			
	7204	FC33*	-533083			
	7601	FC33*	-550168			

SEE ILLUSTRATION/S AT FRAME 2 - G15

**6600B-3 SWITCHES & RELAYS (ENGINE)
(W/O TURBO)**

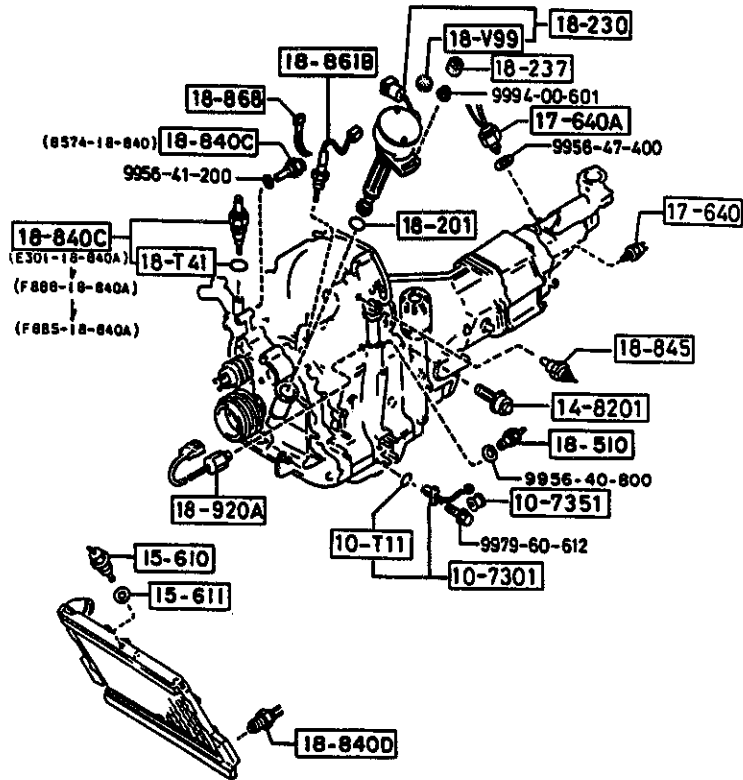
ITEM NO.	D-CODE	DESCRIPTION	PART NO.	QTY	MODEL/DESCRIPTION	REMARKS
18 9401		CONTROL UNIT	N326-18-941	1	A/T	
18 T41		O-RING-WATER THERMO SWITCH	E301-18-T41	1	A/T	
18 V99		CAP, BLIND-CRANK ANGLE SENSOR	N326-18-V99	1		SC05-
19 444		SWITCH, INHIBITOR	BU17-19-444A	1	A/T	
19 446		O-RING	0338-19-446	1	A/T	
19 821		SOLENOID, DOWN SHIFT	BU17-19-821	1	A/T	
21 291		SWITCH, OIL PRESSURE	BU17-21-291A	1		
21 292		O-RING	BU01-21-292	1	A/T	
21 293		SOLENOID, OVER DRIVE	BU01-21-293A	1	A/T	
21 294		O-RING	BU01-21-294	2	A/T	
21 295		O-RING	BU01-21-295	2	A/T	
21 296		SOLENOID, LOCK-UP CONTROL	BU17-21-296A	1	A/T	
67 7402		RELAY, N.C.	FB25-67-740	2	10A, A/T	
67 740X		RELAY & COVER, NORMAL CLOSE	FB10-67-740	2	10A, A/T	
67 740Y		RELAY & COVER, NORMAL OPEN	FB11-67-740	1	30A, A/T	
67 742		BRACKET, RELAY	FB10-67-742	3	A/T	
67 744		BOOT, RELAY-WATER PROOF	FB10-67-744	3	A/T	
93 5104		HOSE	9935-10-4999	1		
99 560		GASKET	9956-41-200	1		

SEE ILLUSTRATION/S AT FRAME 2 - G15

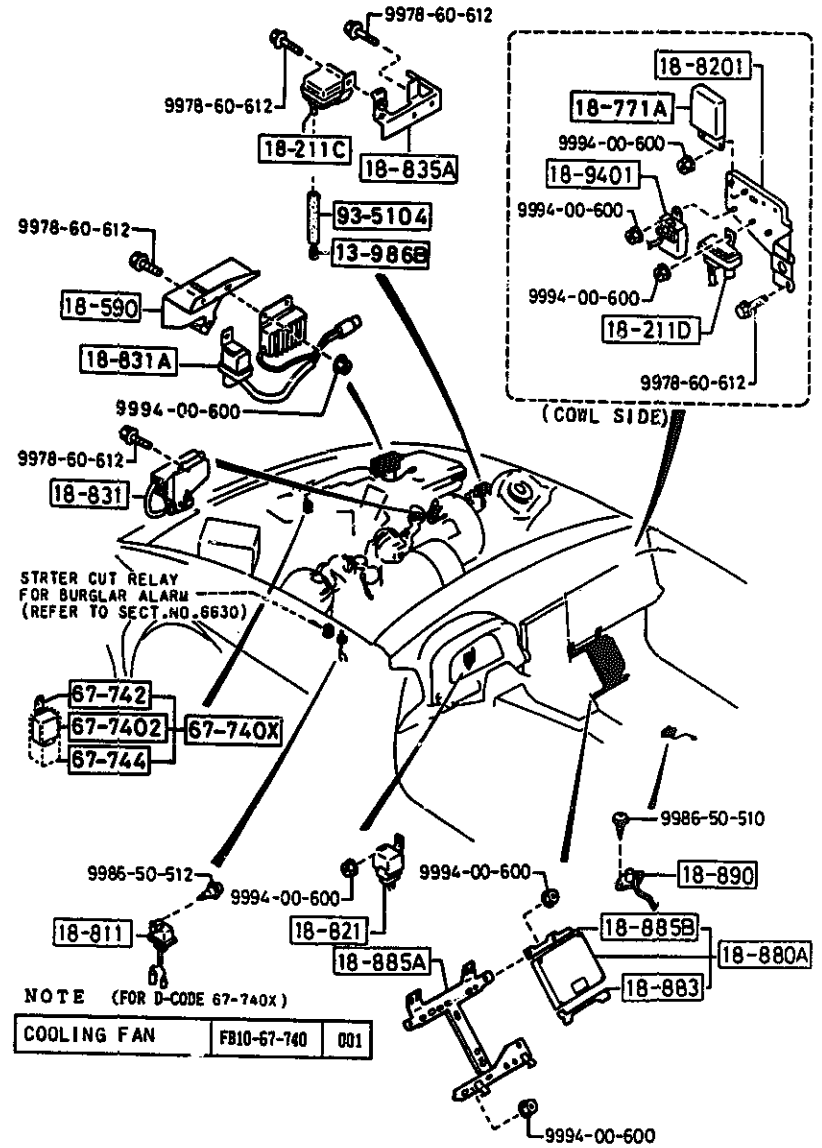
SC05 FC33* -119333

**6600BA-1 SWITCHES & RELAYS (ENGINE)
(TURBO)**

(THIS ILLUSTRATION CONSISTS OF 2 PAGES)



(THIS ILLUSTRATION CONSISTS OF 2 PAGES)



**6600BA-2 SWITCHES & RELAYS (ENGINE)
(TURBO)**

ITEM NO.	D-CODE	DESCRIPTION	PART NO.	QTY	MODEL/DESCRIPTION	REMARKS
10 7301		SENSOR, OIL LEVEL	N326-10-470	1		
10 7351		PROTECTOR	N231-10-735	1		
10 T11		O-RING-OIL LEVEL SENSOR	N326-10-T11	1		
13 986B		ORIFICE	8931-13-986	1	D=0.5 BLACK	
14 8201		GAUGE UNIT, OIL PRESSURE	N201-14-820	1		
15 610		SENSOR, WATER LEVEL	8553-15-610B	1		-6620
			N326-15-610	1		6620-
15 611		GASKET	8553-15-611	1		
17 640		SWITCH, BACK-UP LAMP	1281-17-640	1		
17 640A		SWITCH, NEUTRAL	M502-17-640C	1		
18 211C		SENSOR, BOOST	N318-18-211	1		
18 211D		SENSOR, BOOST	N326-18-211	1		
18 230		SENSOR, CRANK ANGLE	N326-18-230	1		
18 237		CAP, CRANK ANGLE SENSOR	N326-18-237	1		
18 510		UNIT, HEAT GAUGE	8569-18-510A	1		
18 590		BRACKET, RESISTOR	N320-18-835	1		
18 630		SWITCH, WATER THERMO	F888-18-840A	1		
18 771A		CONTROL UNIT, KNOCK	N318-18-771A	1		
18 811		RELAY, MAIN	N326-18-811B	1		
18 8201		BRACKET, CONTROL UNIT	N326-18-945C	1		
18 821		RELAY, CIRCUIT OPEN	N326-18-821A	1		
18 831		RESISTOR	HE21-18-831	1		-7601
18 831A		RESISTOR, SOLENOID-FUEL PUMP	N319-18-831	1		
18 835A		BRACKET	N322-18-835A	1		
18 840C		SENSOR, WATER TEMPERATURE	8574-18-840	1		
18 840D		SWITCH, WATER THERMO	FE85-18-840	1		
18 845		SENSOR, AIR TEMPERATURE	N326-18-845	1		
18 861B		SENSOR, OXYGEN	N326-18-861	1		
18 86B		BAND, CORD-OXYGEN SENSOR	N318-18-86B	2		-6501
				1		6501-
18 880A		CONTROL UNIT, E.G.I. REFER TO SERV. BULL. NO. 049/88. CAT. 4 FOR MORE INFO.	N332-18-881R	1	REBUILT	-7601
			N333-18-881R	1	REBUILT	7601-
18 883		BRACKET, CONTROL UNIT	N326-18-883	1		
18 885A		BRACKET, CONTROL UNIT	N326-18-885	1		-7204
			N326-18-885A	1		7204-
18 885B		BRACKET, CONTROL UNIT	HE21-18-885A	1		
18 890		SWITCH, THERMO	N326-18-890A	1		
18 920A		SENSOR, KNOCK	N318-18-921	1		
18 9401		CONTROL UNIT	N326-18-941	1		

SEE ILLUSTRATION/S AT FRAME 2 - J15

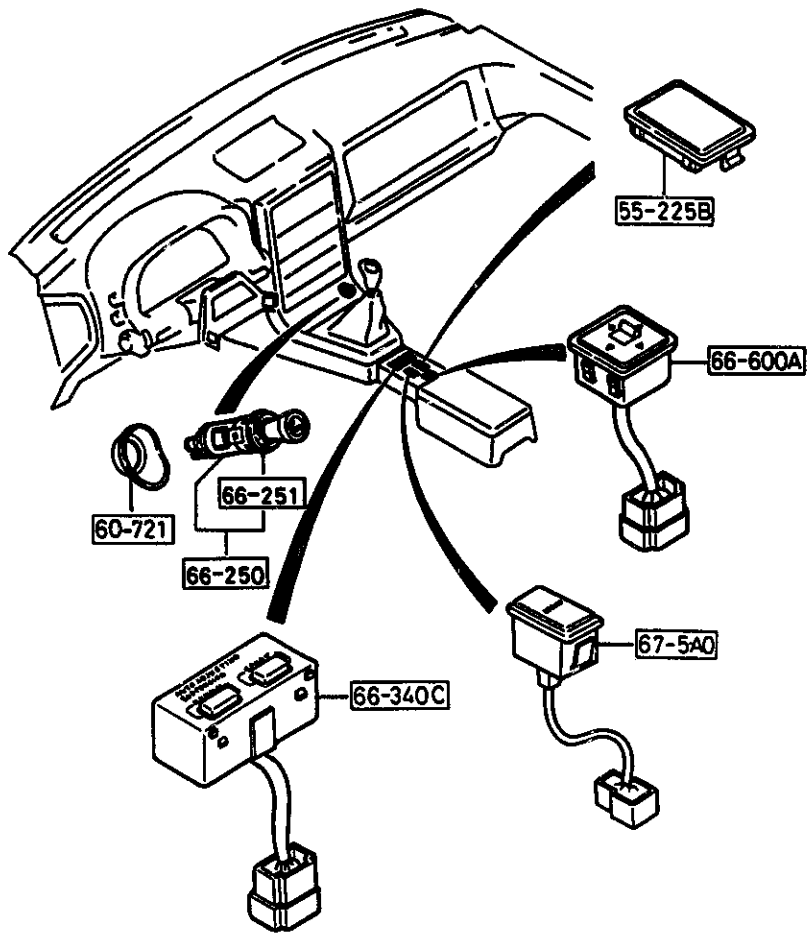
6501 FC33* -146093
 6620 FC33* -156850
 7204 FC33* -533083
 7601 FC33* -550168

**6600BA-3 SWITCHES & RELAYS (ENGINE)
(TURBO)**

ITEM NO.	D-CODE	DESCRIPTION	PART NO.	QTY	MODEL/DESCRIPTION	REMARKS
18 T41		O-RING-WATER THERMO SWITCH	E301-18-T41	1		
18 V99		CAP, BLIND-CRANK ANGLE SENSOR	N326-18-V99	1		
67 7402		RELAY, N.C.	FB25-67-740	1	10A	
67 740X		RELAY & COVER, NORMAL CLOSE	FB10-67-740	1	10A	
		< C >	FB25-67-740	1	10A, REQUIRES BRACKET - FB10-67-742 & BOOT - FB10-67-744	
67 742		BRACKET, RELAY	FB10-67-742	1		
67 744		BOOT, RELAY-WATER PROOF	FB10-67-744	1		
93 5104		HOSE	9935-10-4999	1		
99 560		GASKET	9956-41-200	1		

SEE ILLUSTRATION/S AT FRAME 2 - J15

6610-1 DASHBOARD SWITCHES (MANUAL OPERATING)



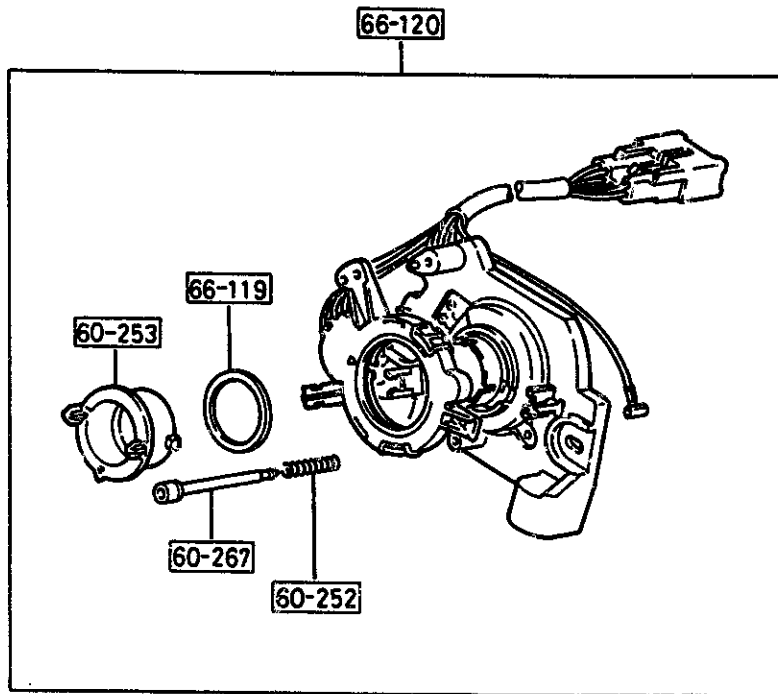
ITEM NO.	D-CODE	DESCRIPTION	PART NO.	QTY	MODEL/DESCRIPTION	REMARKS
55 225B		COVER, HOLE	B001-55-225A	1		
60 721		PROTECTOR	FB01-66-241	1		
66 250		LIGHTER, CIGAR	FB01-66-250	1		
66 251		RING, ILLUMINATION	UB40-66-251	1		7401-
66 340C		SWITCH, ADJUSTABLE DAMPER	FB07-66-340	1	W/ A.A.S.	
66 600A		SWITCH, REMOTE CONTROL MIRROR	FB02-66-600A	1		
67 5A0		DISPLAY, SECURITY-ALARM	FB01-67-5A0A	1	W/ BURGLAR ALARM	

7401 FC33* -543109

6611-1

COMBINATION SWITCH

ITEM NO.	D-CODE	DESCRIPTION	PART NO.	QTY	MODEL/DESCRIPTION	REMARKS
60 252		SPRING	FB01-66-117	1		
60 253		CAM, CANCEL	FB01-66-126	1		
60 267		CONTACT, HORN	FB01-66-127	1		
66 119		WASHER, CONTACT SPRING	FB01-66-119	1		
66 120		SENSOR, TURN CANCEL	FB01-66-120	1	W/O P/S W/O A.A.S.	
			FB07-66-120	1	W/ P/S	

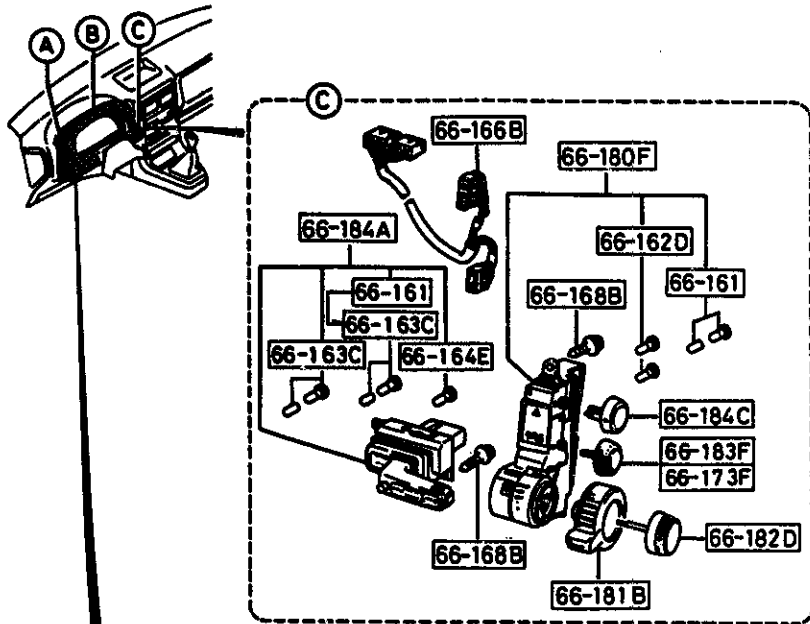


SECTION INDEX -- BODY

STARTING LOCATION	SECT. NO.	SECTION NAME	STARTING LOCATION	SECT. NO.	SECTION NAME	STARTING LOCATION	SECT. NO.	SECTION NAME
2 - C 3	0900A	KEY SETS	2 - L 6	5530	SPEEDOMETER CABLE	2 - C15	6330	SUNROOF (COUPE)
2 - E 3	5000	FRONT BUMPER	2 - M 6	5540	METER COMPONENTS (COUPE) (W/O ANTI-LOCK BRAKE SYSTEM)	2 - E15	6330A	SOFT TOP (CONVERTIBLE)
2 - F 3	5005	RADIATOR GRILLE	2 - C 7	5540A	METER COMPONENTS (COUPE) (ANTI-LOCK BRAKE SYSTEM)	2 - G15	6600B	SWITCHES & RELAYS (ENGINE) (W/O TURBO)
2 - G 3	5010A	REAR BUMPER	2 - E 7	5540B	METER COMPONENTS (CONVERTIBLE)	2 - J15	6600BA	SWITCHES & RELAYS (ENGINE) (TURBO)
2 - H 3	5030A	WINDOW MOULDINGS	2 - F 7	5560	DASHBOARD & RELATED PARTS	2 - M15	6610	DASHBOARD SWITCHES (MANUAL OPERATING)
2 - I 3	5040A	BODY MOULDINGS	2 - I 7	5570	CONSOLE	2 - N15	6611	COMBINATION SWITCH
2 - J 3	5060A	SIDE PROTECTORS	2 - K 7	5580	VENTILATOR			
2 - K 3	5100	HEAD LAMPS	2 - C 8	5700A	FRONT SEATS (COUPE)	2 - C16	6612	CLUSTER SWITCH
2 - L 3	5103	HEAD LAMP RETRACTORS	2 - C 9	5700AA	FRONT SEATS (COUPE) (LEATHER)	2 - D16	6615	POWER WINDOW SWITCHES
2 - M 3	5105	FRONT COMBINATION LAMPS	2 - C10	5700AB	FRONT SEATS (CONVERTIBLE) (CLOTH)	2 - E16	6620	DOOR SWITCH
2 - C 4	5110A	REAR COMBINATION LAMPS	2 - F10	5700AC	FRONT SEATS (CONVERTIBLE) (LEATHER)	2 - F16	6630	RELAYS & CPU (BODY)
2 - E 4	5120	LICENSE LAMPS	2 - J10	5750A	REAR SEATS (CLOTH)	2 - G16	6635	HORNS
2 - F 4	5125	INTERIOR LAMPS	2 - C11	5750AA	REAR SEATS (LEATHER)	2 - H16	6640	AUTO CRUISE CONTROL SYSTEM
2 - G 4	5130	OVERHEAD CONSOLE (COUPE)	2 - H11	5790A	SEAT BELTS	2 - I16	6680	AUDIO SYSTEMS (RADIO & TAPE DECK)
2 - H 4	5170	ORNAMENTS	2 - J11	5800A	FRONT DOORS (COUPE)			
2 - I 4	5180	COWL & EXTRACTOR GRILLES	2 - K11	5800AA	FRONT DOORS (CONVERTIBLE)			
2 - K 4	5230	HOOD	2 - C12	5830A	FRONT DOOR MECHANISMS (COUPE)			
2 - L 4	5260	TRUNK LID (CONVERTIBLE)	2 - H12	5830AA	FRONT DOOR MECHANISMS (CONVERTIBLE)			
2 - M 4	5310	BODY PANELS (FRONT) (COUPE)	2 - C13	5840A	FRONT DOOR TRIMS & RELATED PARTS (COUPE)			
2 - N 4	5310A	BODY PANELS (FRONT) (CONVERTIBLE)	2 - K13	5840AB	FRONT DOOR TRIMS & RELATED PARTS (CONVERTIBLE)			
2 - C 5	5320	BODY PANELS (FENDER & WHEEL APRON) (COUPE)	2 - N13	6100	HEATER			
2 - D 5	5320B	BODY PANELS (FENDER & WHEEL APRON) (CONVERTIBLE)	2 - C14	6110	HEATER UNIT COMPONENTS			
2 - E 5	5330	BODY PANELS (DASH & COWL PANEL)	2 - D14	6115	HEATER CONTROLS COMPONENTS			
2 - F 5	5340A	BODY PANELS (SIDE) (COUPE)	2 - E14	6120	HEATER BLOWER COMPONENTS			
2 - H 5	5340AA	BODY PANELS (SIDE) (CONVERTIBLE)	2 - F14	6130	AIR CONDITIONER (W/O AIR CONDITIONER)			
2 - K 5	5360A	BODY PANELS (ROOF) (COUPE)	2 - G14	6132A	CONDENSER PACKAGE			
2 - L 5	5370	BODY PANELS (FLOOR) (COUPE)	2 - I14	6142A	COMPRESSOR MOUNTING KIT, COMPRESSOR/CLUTCH ASSEMBLY & REPAIR PARTS			
2 - M 5	5370A	BODY PANELS (FLOOR) (CONVERTIBLE)	2 - J14	6152A	EVAPORATOR PACKAGE			
2 - C 6	5390	FLOOR ATTACHMENTS (COUPE)	2 - K14	6200	LIFT GATE			
2 - E 6	5390A	FLOOR ATTACHMENTS (CONVERTIBLE)	2 - L14	6230	LIFT GATE MECHANISMS (COUPE)			
2 - G 6	5500	DASHBOARD EQUIPMENTS (COUPE) (W/O ANTI-LOCK BRAKE SYSTEM)	2 - N14	6300A	WINDOW GLASSES			
2 - I 6	5500A	DASHBOARD EQUIPMENTS (COUPE) (ANTI-LOCK BRAKE SYSTEM)						
2 - J 6	5500B	DASHBOARD EQUIPMENTS (CONVERTIBLE)						
2 - K 6	5520	METER HOOD						

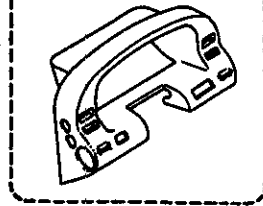
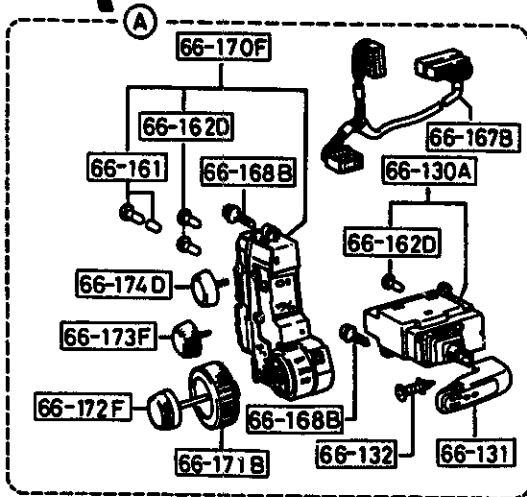
2 - B16

6612-1 CLUSTER SWITCH



NOTE
 A → C ... 66-160B
 THE B-CODE OF 66-160B CONSISTS OF
 FIGURE NUMBERS A THROUGH C.

B
 HOOD, METER & CLUSTER SW
 (REFER TO SECT. NO. 5520)



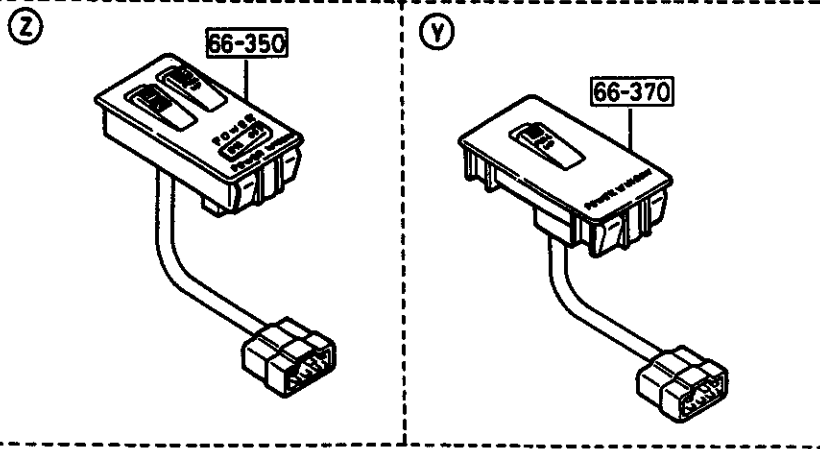
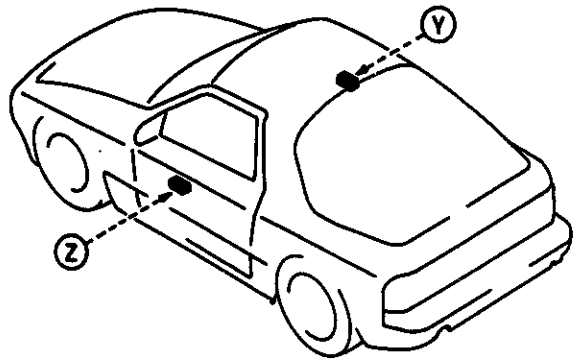
ITEM NO.	D-CODE	DESCRIPTION	PART NO.	QTY	MODEL/DESCRIPTION	REMARKS
66 130A		SWITCH, TURN-CLUSTER	FB01-66-130	1		
66 131		KNOB, TURN-CLUSTER SWITCH	FB01-66-131	1		
66 132		SCREW & WASHER, TURN KNOB	FB01-66-132	1		
66 160B		SWITCH, CLUSTER	FB67-66-160B	1	CONV.	
			FB01-66-160F	1	SPORT PKG. SE	
			FB07-66-160F	1	GXL TURBO	
66 161		BULB 'A', CLUSTER SWITCH	FB01-66-161	3		-5B01
				2		5B01-
66 162D		BULB 'B', CLUSTER SWITCH	FB01-66-162	4	CONV.	
				5	COUPE	
66 163C		BULB 'C', CLUSTER SWITCH	FB01-66-163	1	W/ RR. WIPER & A.C.C.	-5B01
66 164E		BULB 'D', CLUSTER SWITCH	FB01-66-164	2	W/ RR. WIPER & A.C.C.	5B01-
66 166B		HARNES, WIPER-CLUSTER SWITCH	FB01-66-166	1		
66 167B		HARNES, LIGHT-CLUSTER SWITCH	FB01-66-167	1		
66 168B		SCREW, CLUSTER SWITCH	FB01-66-168	8		
66 169C		CLIP, CORD-CLUSTER SWITCH	FB01-66-169	1		5C01-
66 170F		SWITCH, LIGHT-CLUSTER SWITCH	FB01-66-170	1		
66 171B		KNOB, LIGHT-CLUSTER SWITCH	FB01-66-171	1		
66 172F		KNOB, PANEL LIGHT-CLUSTER	FB01-66-172	1		
66 173F		KNOB, SMALL-CLUSTER SWITCH	FB01-66-173	2		
66 174D		KNOB, REAR DEFFOGER-CLUSTER	FB01-66-174	1		
66 180F		SWITCH, WIPER-CLUSTER SWITCH	FB01-66-180	1	W/O RR. WIPER	
			FB07-66-180	1	W/O A.C.C.	
			FB67-66-180	1	W/ RR. WIPER	
				1	W/ A.C.C.	
				1	CONV.	
66 181B		KNOB, WIPER-CLUSTER SWITCH	FB01-66-181	1		
66 182D		KNOB, WASHER-CLUSTER SWITCH	FB01-66-182	1		
66 183F		KNOB, DUMMY-CLUSTER SWITCH	FB01-66-183	1	W/O RR. WIPER	
				1	W/O A.C.C.	
66 184A		SWITCH, CRUISE-CLUSTER	FB07-66-34X	1	W/ RR. WIPER	
				1	W/ A.C.C.	
66 184C		KNOB, HAZARD-CLUSTER SWITCH	FB01-66-184	1		

5B01 FC33* -113629
 5C01 FC33* -118628

6615-1

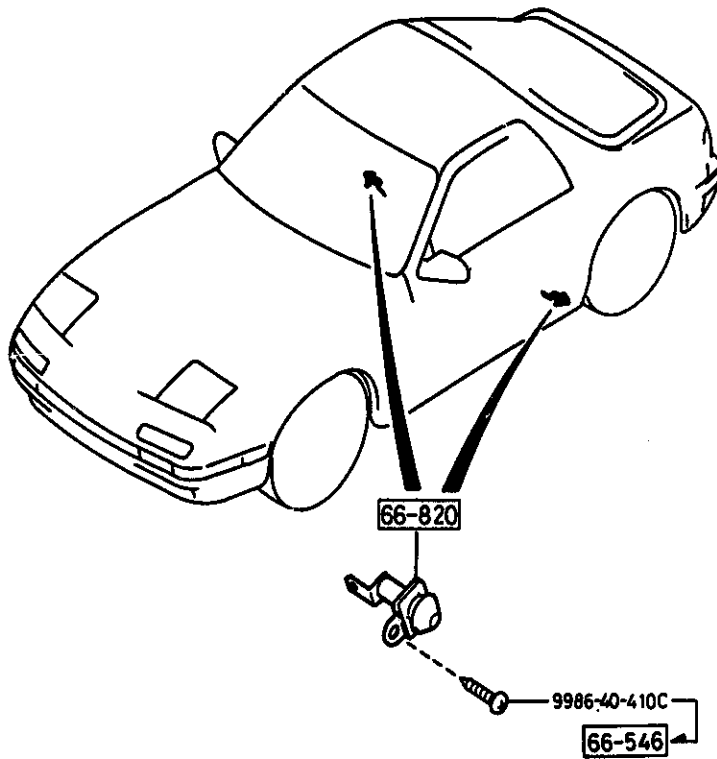
POWER WINDOW SWITCHES

ITEM NO.	D-CODE	DESCRIPTION	PART NO.	QTY	MODEL/DESCRIPTION	REMARKS
66 350		SWITCH, POWER WINDOW	FB05-66-350A	1		
66 370		SWITCH, POWER WINDOW	FB05-66-370A	1		



6520-1

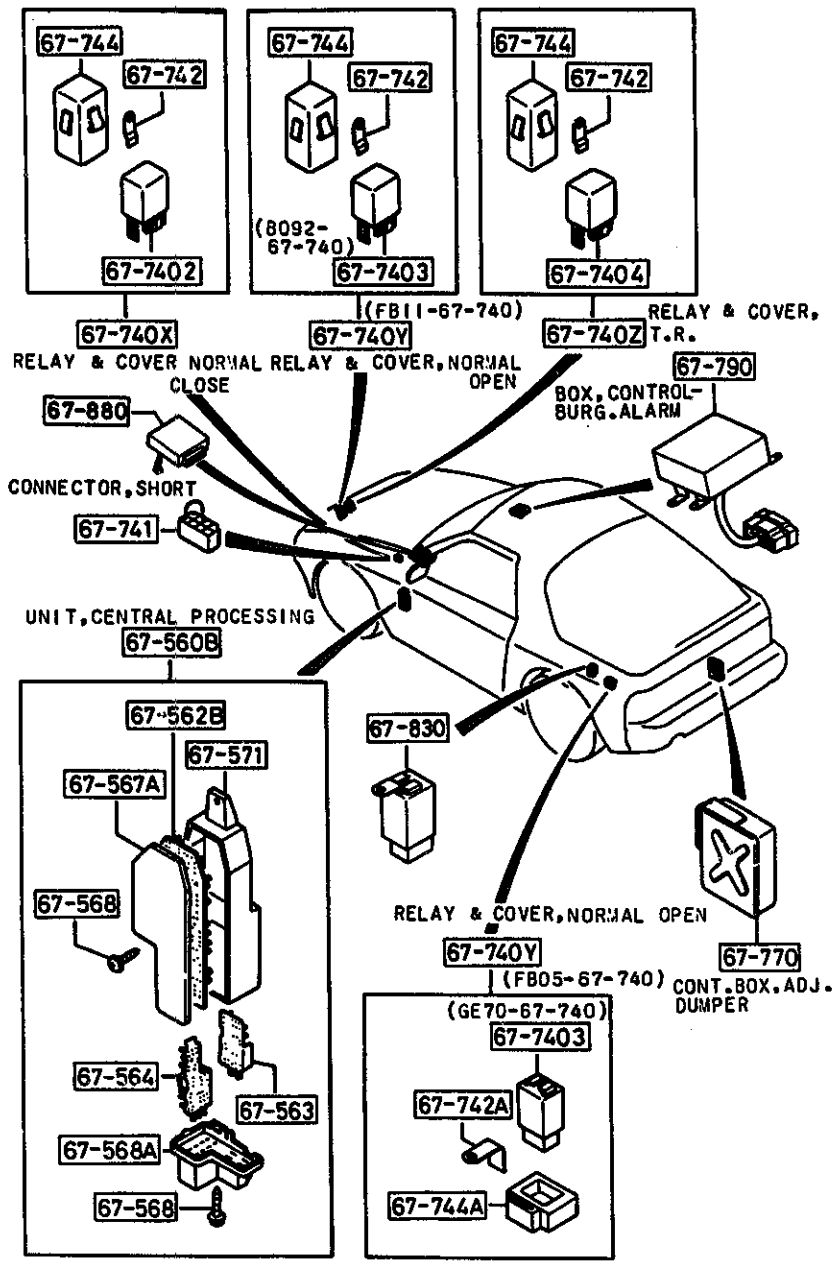
DOOR SWITCH



ITEM NO.	D-CODE	DESCRIPTION	PART NO.	QTY	MODEL/DESCRIPTION	REMARKS
66 546		SCREW, DOOR SWITCH	H260-66-546	2		6801-
66 820		SWITCH, DOOR	FB01-66-540	2		

6801 FC33* -507386

6630-1 RELAYS & CPU (BODY)

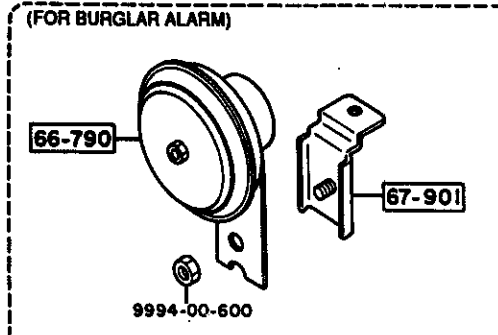
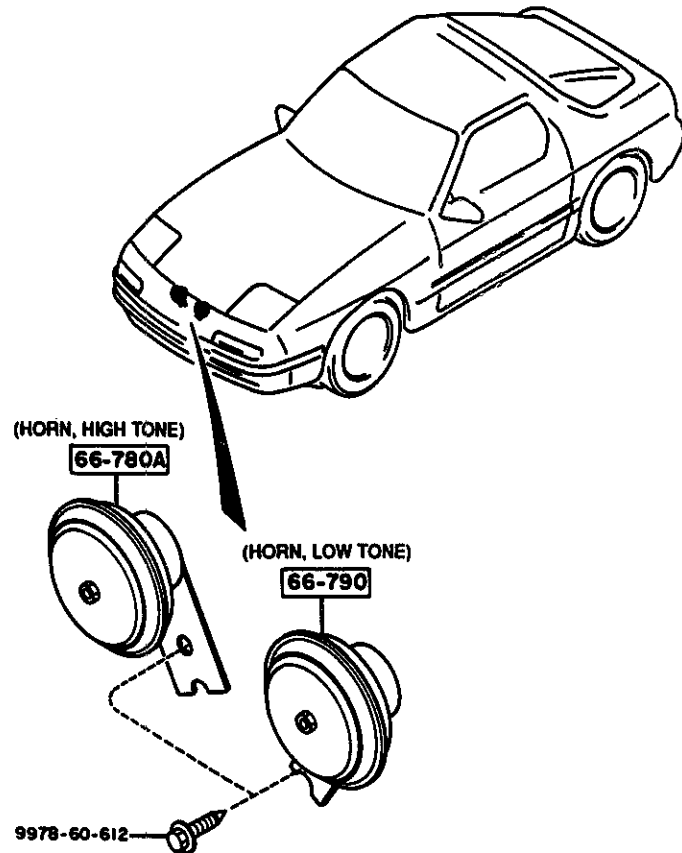


ITEM NO.	D-CODE	DESCRIPTION	PART NO.	QTY	MODEL/DESCRIPTION	REMARKS
67 560B		UNIT, CPU	FB01-67-560	1	W/O KEY ILLUM.	
			FB05-67-560	1	W/ KEY ILLUM.	
67 562B		PLATE, MAIN-CPU	FB01-67-562	1	W/O KEY ILLUM.	
			FB05-67-562	1	W/ KEY ILLUM.	
67 563		PLATE, LAMP CHECK-CPU	FB01-67-563	1		
67 564		PLATE, FLASHER-CPU	FB01-67-564	1		
		REFER TO SERV. BULL. NO. 021/86, CAT. 15, FOR MORE INFO.				
67 567A		COVER, MAIN-CPU	FB01-67-567	1		
67 568		SCREW, TAPPING	FB01-67-569	2		
67 568A		COVER, SUB-CPU	FB01-67-568	1		
67 571		CASE, CONTROL UNIT	FB01-67-566	1		
67 7402		RELAY, N.C.	FB25-67-740	1	10A W/ BURGLAR ALARM	
67 7403		RELAY, N.O.	BO92-67-740	1	30A	
			GE70-67-740	1	20A	
67 7404		RELAY, TRANSFER	FB02-67-740	1	20A	
67 740X		RELAY & COVER, NORMALLY CLOSE	FB10-67-740	1	W/ BURGLAR ALARM	
67 740Y		RELAY & COVER, NORMALLY OPEN	FB05-67-740	1	30A	
67 740Z		RELAY & COVER	FB11-67-740	1	30A	
			FB12-67-740	1	20A	
67 741		CONNECTOR, SHORT	WB22-67-741	1	W/O BURGLAR ALARM	
67 742		BRACKET, RELAY	FB10-67-742	3	W/ BURGLAR ALARM	
67 742A		BRACKET, RELAY	FB05-67-742	1		
67 744		BOOT, RELAY-WATER PROOF	FB10-67-744	3	W/ BURGLAR ALARM	
67 744A		BAND, RELAY-SOUND PREVENT	FB05-67-744	1		
67 770		BOX, CONTROL	FB07-67-770A	1	W/ A.A.S.	
67 790		BOX, CONTROL-BURGLAR ALARM	FB01-67-790C	1		
			FB67-67-790A	1		-7701
67 830		UNIT, DOOR LOCK & TIMER	FB01-67-830	1		7701-

7701 FC33* -550169

6635-1

HORNS

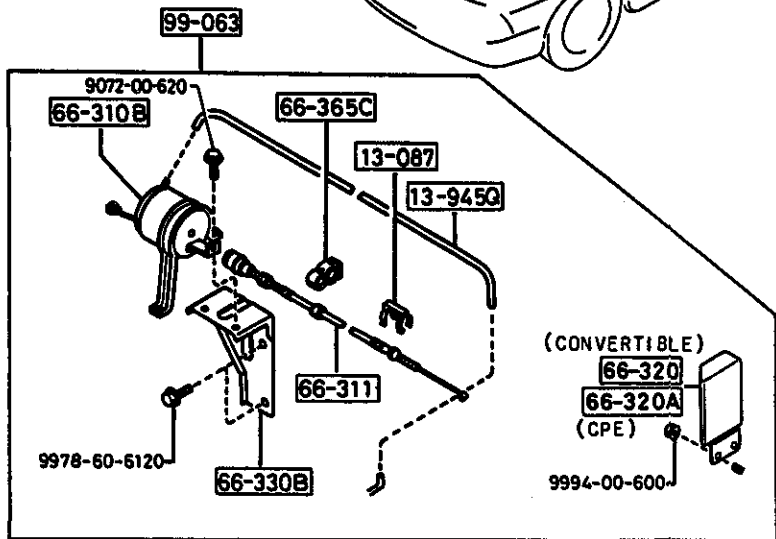
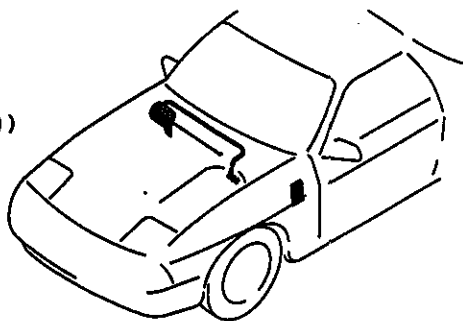


ITEM NO.	D-CODE	DESCRIPTION	PART NO.	QTY	MODEL/DESCRIPTION	REMARKS
66 780A		HORN, HIGH TONE	FB01-66-780	1	80X2D HORN	-5C01
			H001-66-780B	1	100X2D HORN	-5C01
			FB03-66-780	1		5C01-
66 790		HORN, LOW TONE	FB01-66-790	2	80X2D HORN	-5C01
			H001-66-790B	1	100X2D HORN	-5C01
			FB01-66-790	1	W/ BURGLAR ALARM	5C01-
			FB03-66-790	1		5C01-
67 901		BRACKET, HORN	FB05-66-792	1	W/ BURGLAR ALARM	

5C01 FC33* -118628

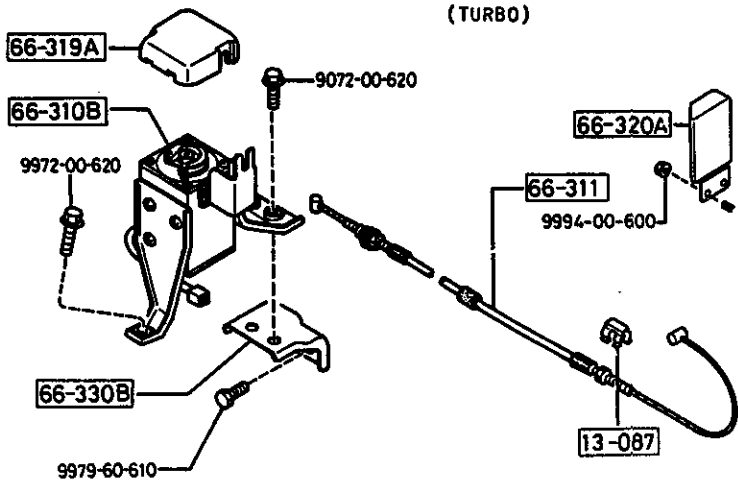
6640-1 AUTO CRUISE CONTROL SYSTEM

((CPE)>(W/O TURBO))
 ((CONVERTIBLE)>(W/O TURBO))

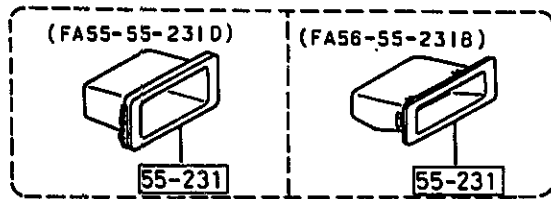


(CONVERTIBLE)

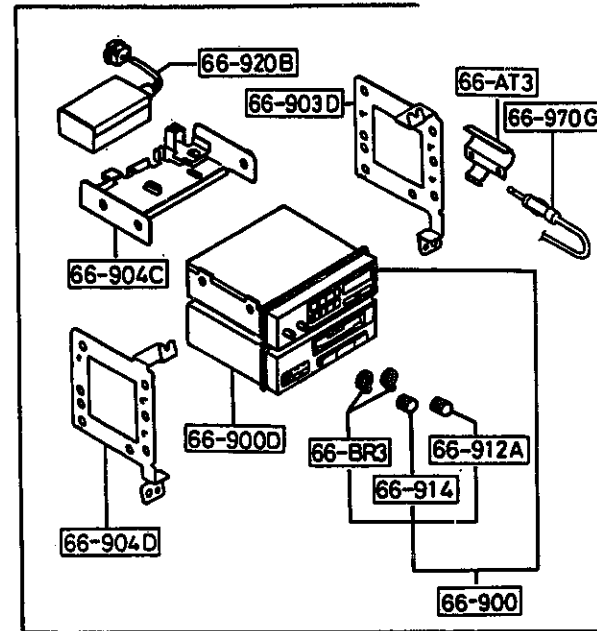
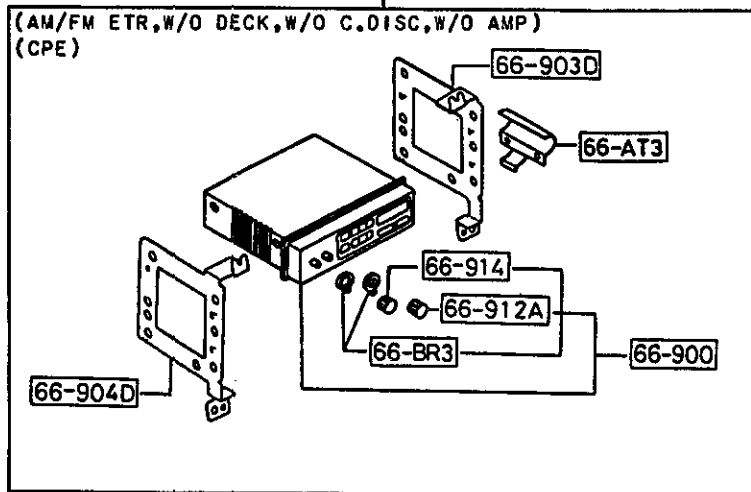
(TURBO)



ITEM NO.	D-CODE	DESCRIPTION	PART NO.	QTY	MODEL/DESCRIPTION	REMARKS
13 087		SPRING	8871-13-087A	1		
13 945Q		PIPE	FA43-66-361A	1	W/O TURBO	
66 310B		ACTUATOR, A.C.C.	FB01-66-310A	1	W/O TURBO	
			FD46-66-310B	1	TURBO	
66 311		WIRE, A.C.C.	FB01-66-311B	1	W/O TURBO	
			FB44-66-311A	1	TURBO	
66 319A		COVER, ACTUATOR	8107-66-319	1	TURBO	
66 320A		UNIT, A.C.C. CONTROL	FB01-66-320A	1	W/O TURBO	
			FB44-66-320	1	TURBO	
66 330B		BRACKET, A.C.C. BOX	FB01-66-330	1	CAL.	
			FB02-66-330	1	FED.	
66 365C		CLIP	UB40-66-365	2	W/O TURBO	
99 063		A.C.C. SET	8AF1-66-340	1	COUPE	
			BAF2-66-340	1	CONVERTIBLE	

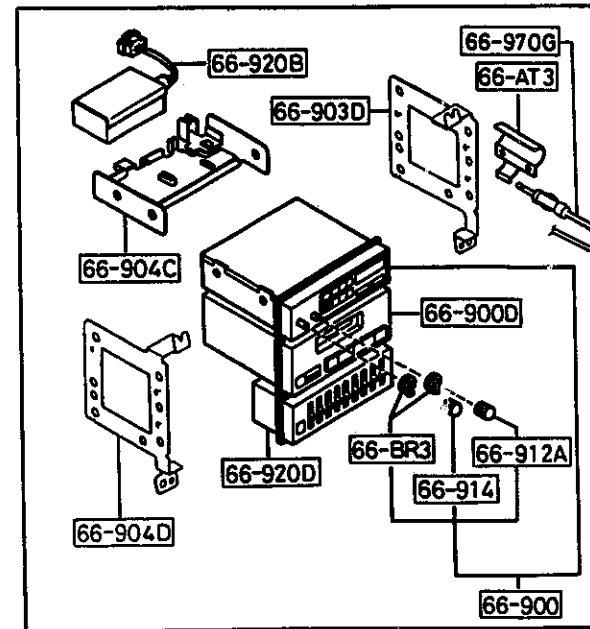


66-870J



66-870J

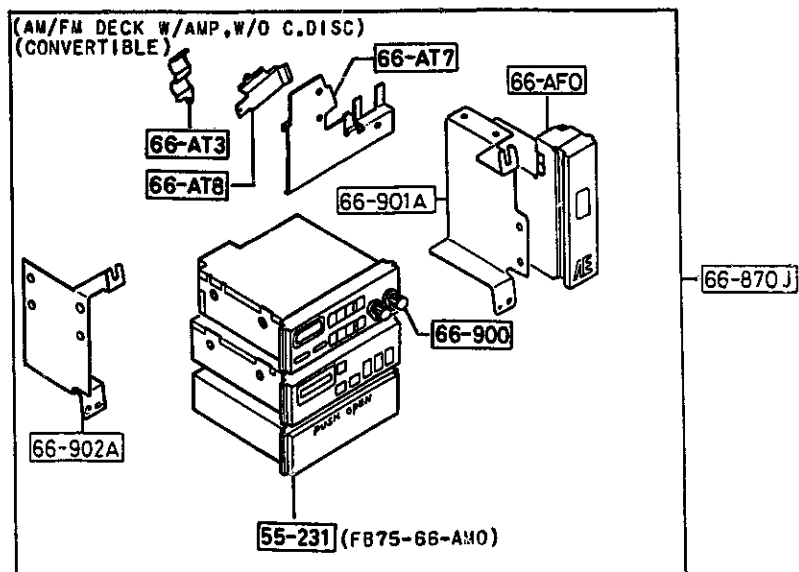
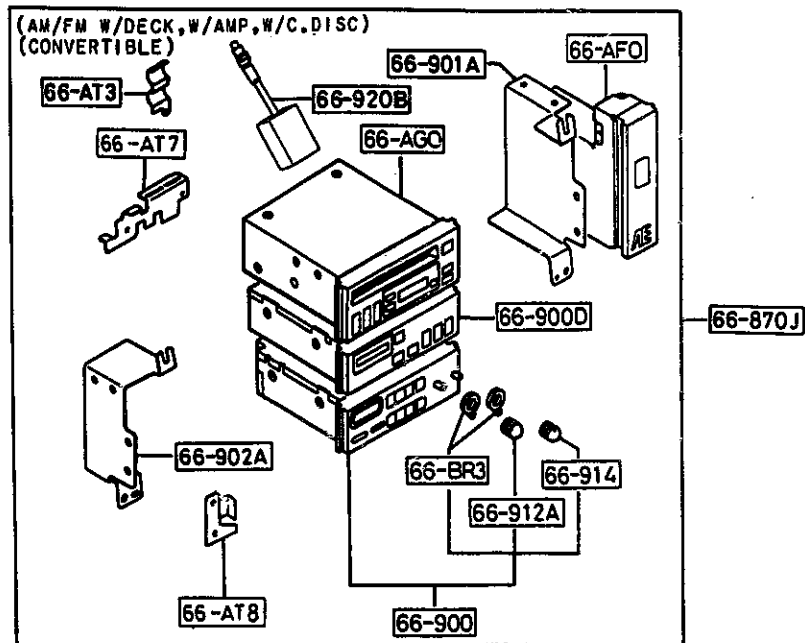
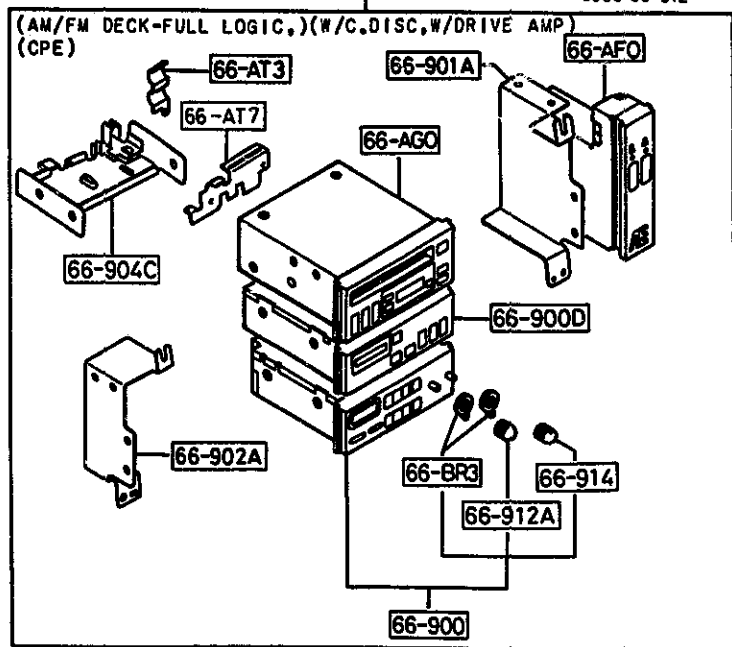
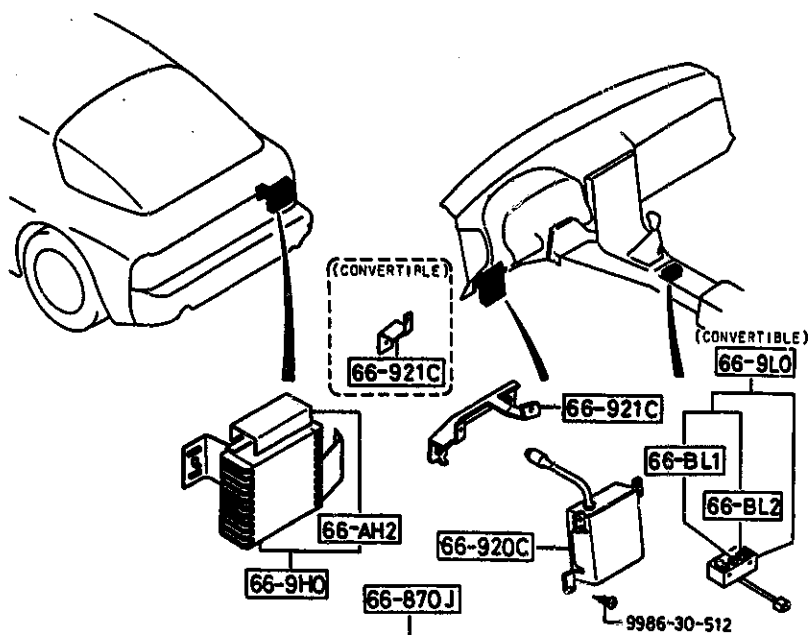
(AM/FM DECK,
4-SPK.,)
(W/O C.D., W/POWER
AMP)



66-870J

(AM/FM DECK-FULL
LONGIC.)
(W/O C.DISC,
W/DRIVE AMP)
(CPE)

6680-2 AUDIO SYSTEMS (RADIO & TAPE DECK)



6680-3

AUDIO SYSTEMS (RADIO & TAPE DECK)

ITEM NO.	D-CODE	DESCRIPTION	PART NO.	QTY	MODEL/DESCRIPTION	REMARKS
55 231		ORNAMENT, STEREO	FA56-55-231B	1	W/ CASS. W/O C.D. COUPE	
		BLACK	00 FB75-56-AM0	1	W/O C.D. CONV.	
			FA55-55-231D	1	W/O CASS. COUPE	
		BLACK	00			
55 991		ORNAMENT, TUNER	FA60-55-231A	1		
		BLACK	00			
66 870J		AUDIO SET	0000-81-9105	1		
66 878		BRACKET, AUDIO	FB05-66-870	1		
66 900		TUNER	0000-81-9035	1	W/O CASS.	
			0000-81-9105	1	W/ CASS. W/O C.D.	
			0000-81-5101	1	W/ C.D.	
66 900D		DECK, TAPE-CASSETTE	0000-81-805B	1	W/O C.D. STD, SPT, SE, LX	
			0000-81-8052	1	W/O C.D. GXL TURBO	
			0000-81-6110	1	W/ C.D. GXL TURBO, CONV.	
66 901A		BRACKET (R), TUNER	0000-81-5101-KT	1		
66 902A		BRACKET (L), TUNER	0000-81-5101-KT	1		
66 903D		BRACKET (R), REAR-AUDIO	FB03-66-902	1	W/O C.D.	
			<A> 0000-81-9035-KT	1		
66 904C		BRACKET, LOW	0000-81-9035-KT	1		
66 904D		BRACKET (L), REAR-AUDIO	0000-81-9035-KT	1	W/O C.D.	
66 912A		KNOB, TONE-TUNER	0000-81-9035-KB	1	W/O C.D.	
			0000-81-5101-KB	1	W/ C.D.	
66 914		KNOB, VOLUME-TUNER	0000-81-9035-KB	1	W/O C.D.	
			0000-81-5101-KB	1	W/ C.D.	
66 920B		AMPLIFIER, POWER-AUDIO	0000-81-580T	1		
66 920C		AMP, AE SYSTEM-AUDIO	0000-81-4103	1	W/ C.D.	
66 920D		EQUALIZER, GRAPHIC	0000-81-5792	1	W/ C.D.	
		REFER TO ACC. BULL. NO. XS-3 FOR EXTENSION DIN CORD INFO.				
66 921C		BRACKET, AMP-AE SYSTEM	FB76-66-921	1	CONV.	
			FB11-66-921A	1	W/ C.D. COUPE	
66 970G		CORD, SHORT	FB03-66-A40	1	W/ CASS. W/O C.D.	
66 9H0		HIDEAWAY, C.D.	0000-81-8102	1		

SEE ILLUSTRATION/S AT FRAME 2 - 116

6680-4 AUDIO SYSTEMS (RADIO & TAPE DECK)

ITEM NO.	D-CODE	DESCRIPTION	PART NO.	QTY	MODEL/DESCRIPTION	REMARKS
66 910		CONTROL, REMOTE-AUDIO	F055-66-910A	1	CONV. W/ C.D.	
66 AF0		CONTROLLER, AE SYSTEM-DISC	0000-81-2101	1		
66 AG0		PLAYER, COMPACT DISC	0000-81-6102	1		
66 AH2		COVER, HIDEAWAY-C.D.	FB11-66-AH2	1		-6801
66 AT3		BRACKET (R), ANTENNA	FB03-66-AT3	1	W/O C.D.	
			FB11-66-AT3	1	W/ C.D.	
66 AT7		BRACKET (RR.), AUDIO	0000-81-5101-KT	1		
66 AT8		BRACKET NO. 2, LWR.-AUDIO	FB11-66-AT8	1	CONV. W/ C.D.	
66 BL1		KNOB, VOL.-REMOTE CONTROL	F055-66-511	1	CONV. W/ C.D.	
66 BL2		SPRING, REMOTE CONT.-AUDIO	F055-66-BL2	1		
66 BR3		KNOB, BALANCE-TUNER	0000-81-9035-KB	2		
		REFER TO ACC. BULL. NO. XS-1 FOR MORE AUDIO SYSTEM INFO.				

SEE ILLUSTRATION/S AT FRAME 2 - I16

6801 FC33* -507386